



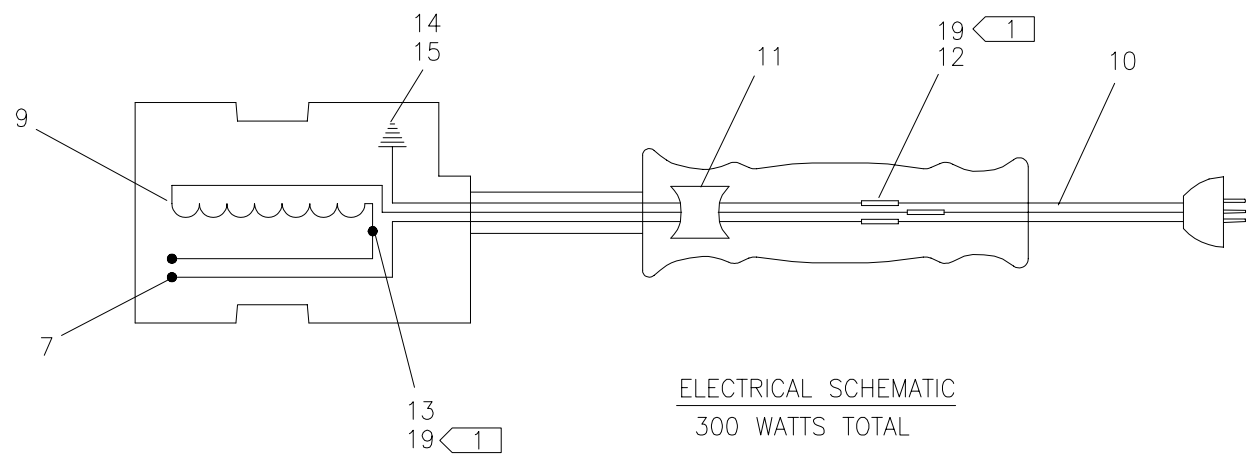
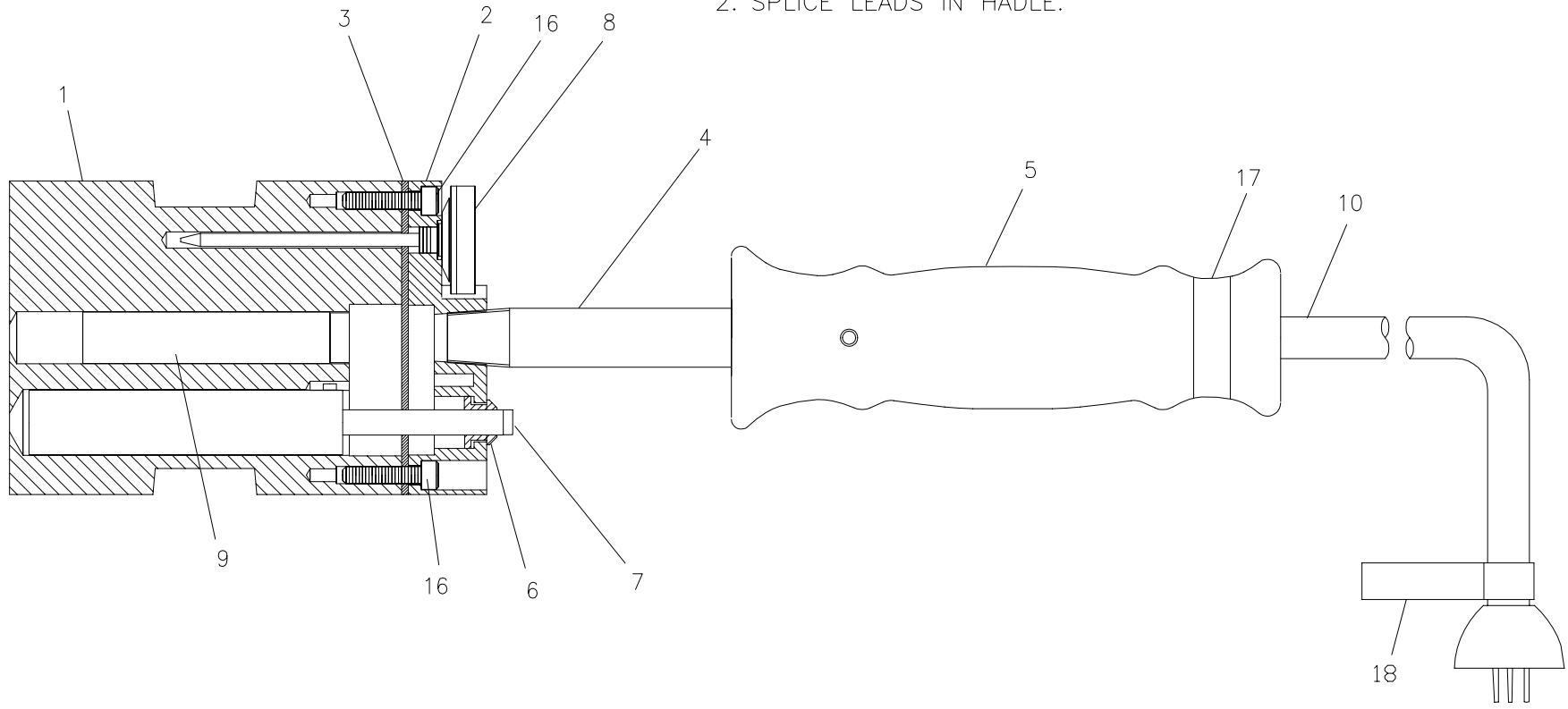
**McElroy Manufacturing, Inc.**  
 The leader by design.  
 Tulsa, Oklahoma U.S.A.

DRAWN: DOUG	CHECK: JMC	APPRV'D: B	DATE: 1/7/91	DWG No: CTS00700	SHT No: 2	REV No: E	PART No: CTS00702
1" IPS Mini-Mc HEATER ASSEMBLY 100-120V, 50/60Hz, 1Ph							CAD No: CTS00702

NOTE: THIS DRAWING AND THE INFORMATION CONTAINED THEREIN IS THE CONFIDENTIAL AND PROPRIETARY PROPERTY OF McElroy Manufacturing, Inc. THE DRAWING IS NOT TO BE REPRODUCED IN ANY MANNER, SUBMITTED OUTSIDE PARTIES FOR EXAMINATION, OR USED DIRECTLY OR INDIRECTLY FOR THE PURPOSES OTHER THAN THOSE FOR WHICH IT WAS FURNISHED WITHOUT WRITTEN PERMISSION OF McElroy Manufacturing, Inc.

NOTES:

1. USE SLEEVING (ITEM 19) TO COVER EXPOSED WIRING.
2. SPLICE LEADS IN HANDLE.



ELECTRICAL SCHEMATIC  
 300 WATTS TOTAL

**1" IPS Mini-Mc HEATER ASSEMBLY  
100-120V, 50/60Hz, 1 Ph**

PARTS LIST

ITEM	PART NO.	QTY	DESCRIPTION
	<b>CTS00702</b>		<b>Assembly</b>
1	CTS01002	1	Heater Body
2	CTS01102	1	Cover Plate
3	CTS01201	1	Gasket
4	206101	1	Nipple
5	409801	1	Handle Modification
6	215601	1	Grommet
7	MLC00010	1	Thermoswitch
8	MJK00002	1	Thermometer
9	MLD00010	1	Cartridge Heater
10	MLE00017	1	#16/3 Electrical Cable Assembly
11	MLN00010	1	5/16" Strain Relief Clamp
12	MLM00003	3	Insulated Butt Splice
13	MJQ00046	1	Ferrule
14	MLM00004	1	Ring Terminal
15	MAH00036	1	#6-32 NC x 3/8" Lg. HHWF Type 'F' SET SCREW.
16	MAH00042	4	#8-32 NC x 1/2" Lg. SHCS SS
17	816360	1	Model CTS00702 Part No. Label
18	410906	1	Danger Not Explosion Proof Tag Label
19	MLW00002	.25FT	Fiberglass Sleeving

## DRAWING REVISION HISTORY LISTING

**PART NO:** CTS00702

**DESCRIPTION:** 1" Mini-Mc HEATER ASSEMBLY 100-120V, 50/60Hz, 1Ph

<u>APPR.</u>	<u>REV</u>	<u>DATE</u>	<u>BY</u>	<u>DESCRIPTION OF REVISION</u>
B	C	6/15/95	SWB	Reduced to 'A' size in Bravo. Replaced #MAH00041 w/ #MAH00042. Replaced #MLN00219 w/ #MLW00002. Created typed parts list.
SWB	D	1/20/97	DJL	CHANGE 120V TO 100-120V. RE-NUMBER DRAWING AND BOM TO CLEAN UP. ADDED ITEM 17(P/N 816360) LABEL TO SPECIFY VOLTAGE AND WATTS. ADDED ITEM 18(P/N410906) EXPLOSION PROOF LABEL AT PLUG END OF POWER CORD.
TLW	-	12/12/97	JPS	CHANGED ITEM #19 FROM 8" TO 4".
SWB	E	11/09/05	BWW	MOVED NOTES TO FACE OF DRAWING FOR CLARITY.