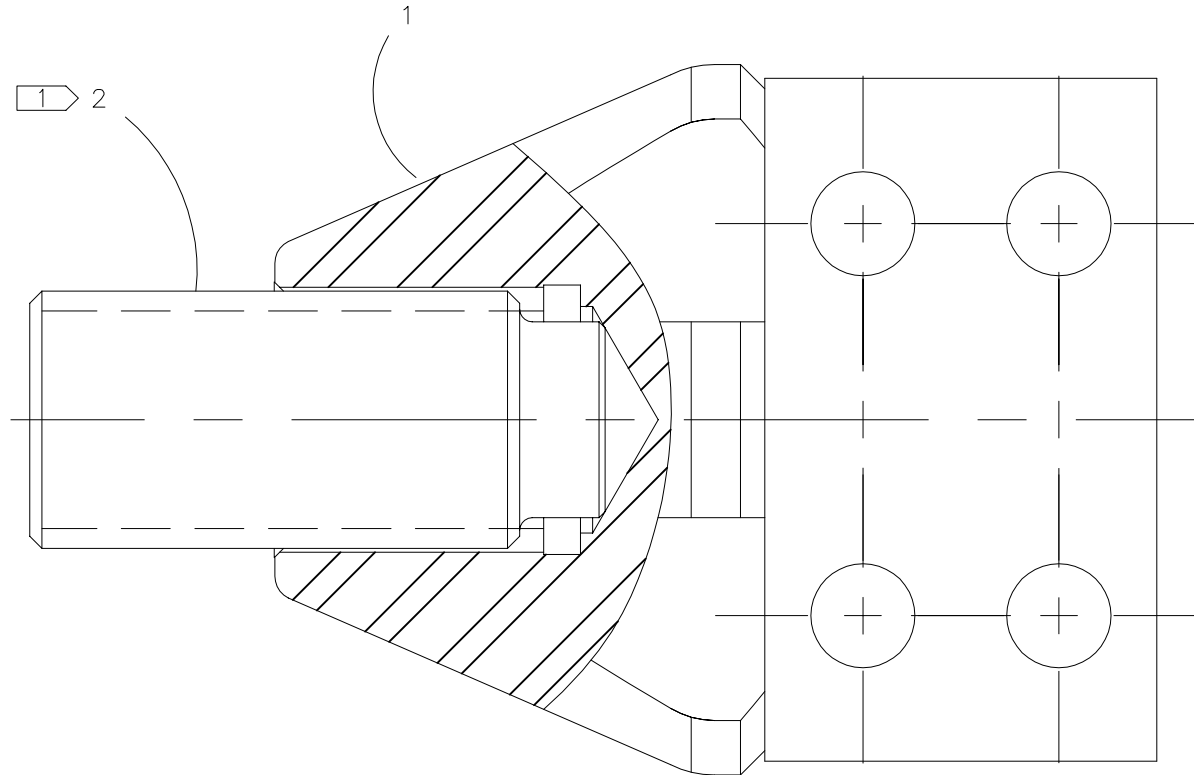




McElroy Manufacturing, Inc.
The leader by design.
Tulsa, Oklahoma U.S.A.

DRAWN: ALK	CHECK: MLM	APPRV'D: SWB	DATE: 4/29/02	DWG No: B4-7700	SHT No: 1	REV No:	PART No: B4-7701
100MM PIPE SPLITTER NOSE CONE ASSEMBLY (CHINA)							CAD No: B4_7701

NOTE: THIS DRAWING AND THE INFORMATION CONTAINED THEREIN IS THE CONFIDENTIAL AND PROPRIETARY PROPERTY OF McElroy Manufacturing, Inc. THE DRAWING IS NOT TO BE REPRODUCED IN ANY MANNER, SUBMITTED OUTSIDE PARTIES FOR EXAMINATION, OR USED DIRECTLY OR INDIRECTLY FOR THE PURPOSES OTHER THAN THOSE FOR WHICH IT WAS FURNISHED WITHOUT WRITTEN PERMISSION OF McElroy Manufacturing, Inc.



**100MM PIPE SPLITTER NOSE CONE ASSEMBLY
(CHINA)**Parts List

ITEM	PART NO.	QTY.	DESCRIPTION
	B4-7701	1	ASSEMBLY
1	B4-7702	1	NOSE CONE
2	B6-603	1	1-5/16"DIA. ACME THREADED STUD

NOTES:

1. Use Loctite #680 And Tighten Item #2(Acme Stud) Into Item #1(Nose Cone).