



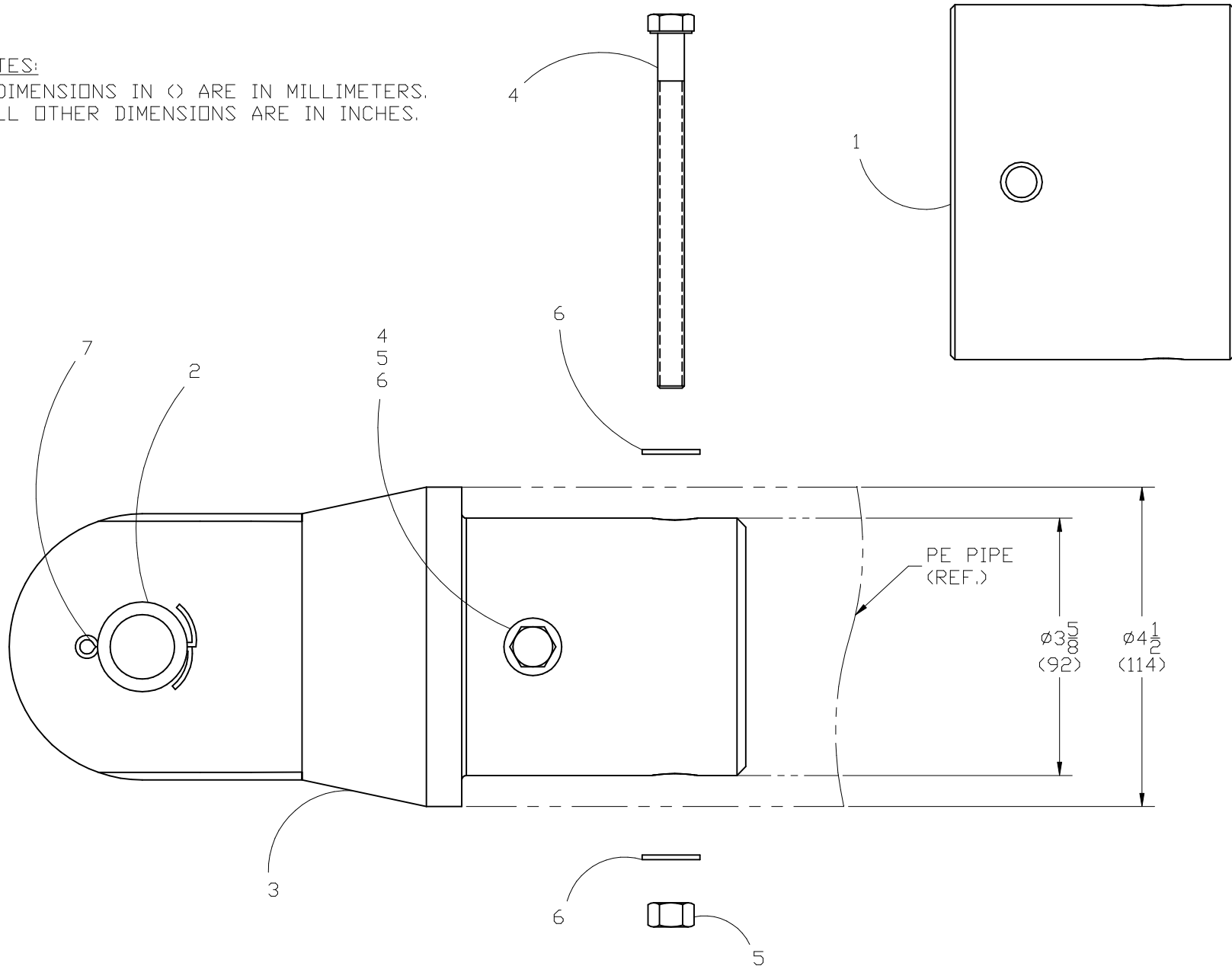
**McElroy Manufacturing, Inc.**  
 The leader by design.  
 © Tulsa, Oklahoma U.S.A.

DRAWN: TLW	CHECK: doug	APPRV'D: B	DATE: 2/8/96	DWG No: AB4-5900	SHT No: 1	REV No: A	PART No: AB4-5901
TOOLING KIT #1-PULL BACK 4" PE							CAD No: AB4-5901

NOTE: THIS DRAWING AND THE INFORMATION CONTAINED THEREIN IS THE CONFIDENTIAL AND PROPRIETARY PROPERTY OF McElroy Manufacturing, Inc. THE DRAWING IS NOT TO BE REPRODUCED IN ANY MANNER, SUBMITTED OUTSIDE PARTIES FOR EXAMINATION, OR USED DIRECTLY OR INDIRECTLY FOR THE PURPOSES OTHER THAN THOSE FOR WHICH IT WAS FURNISHED WITHOUT WRITTEN PERMISSION OF McElroy Manufacturing, Inc.

NOTES:

1. DIMENSIONS IN ( ) ARE IN MILLIMETERS.  
 ALL OTHER DIMENSIONS ARE IN INCHES.



**TOOLING KIT #1-PULL BACK 4" PE**Parts List

ITEM	PART NO.	QTY.	DESCRIPTION
	<b>AB4-5901</b>	<b>1</b>	<b>ASSEMBLY</b>
1	B4-2001	1	DRILL TEMPLATE-PIPE PULLER
2	B4-4501	1	EXPANDER CLEVIS PIN
3	B4-4601	1	PULLING HEAD
4	MAA00078	3	3/8-16NC X 5"LG HHCS GR2 STL PL
5	MBA00007	3	3/8-16NC FINISHED HEX NUT STL PL
6	MBF00007	6	3/8" TYPE 'A' WIDE FLT WASHER STL PL
7	MCH00005	2	1/8" DIA X 2"LG COTTER PIN

**NOTES:**

1. Items #4 & #5 Include (1) Spare Bolt & Nut. Item #6 Includes (2) Spare Washers. Item #7 Includes (1) Spare Cotter Pin.

## DRAWING REVISION HISTORY LISTING

**PART NO:** AB4-5901

**DESCRIPTION:** TOOLING KIT #1-PULL BACK 4" PE

<u>APPR.</u>	<u>REV</u>	<u>DATE</u>	<u>BY</u>	<u>DESCRIPTION OF REVISION</u>
doug	A	1/15/97	TLW	ADDED DIMENSIONS AND NOTE: 1. DIMENSIONS IN () ARE IN MILLIMETERS. ALL OTHER DIMENSIONS ARE IN INCHES. THIS WAS REQUESTED BY JIM W. WILLIAMS FOR TOKYO SANYO CO., LTD.