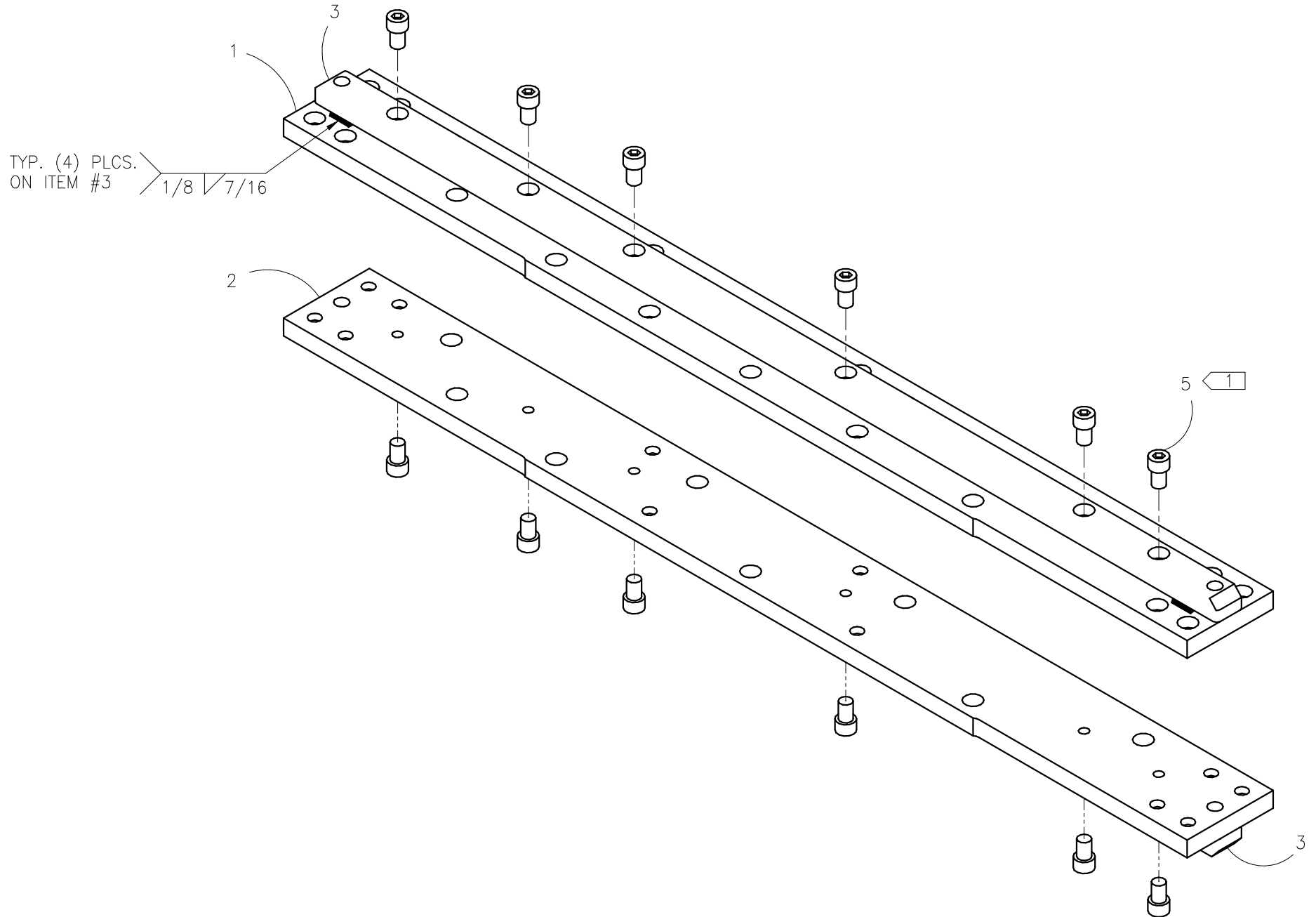




McElroy Manufacturing, Inc.
The leader by design.
Tulsa, Oklahoma U.S.A.

| | | | | | | | |
|--------------------------|-------------|------------|---------------|-----------------|-----------|-----------|------------------|
| DRAWN: TLW | CHECK: doug | APPRV'D: B | DATE: 9/13/96 | DWG No: B3-3500 | SHT No: 1 | REV No: A | PART No: B3-3501 |
| 3" JIS SPLITTER BODY SET | | | | | | | CAD No: B3_3501 |

NOTE: THIS DRAWING AND THE INFORMATION CONTAINED THEREIN IS THE CONFIDENTIAL AND PROPRIETARY PROPERTY OF McElroy Manufacturing, Inc. THE DRAWING IS NOT TO BE REPRODUCED IN ANY MANNER, SUBMITTED OUTSIDE PARTIES FOR EXAMINATION, OR USED DIRECTLY OR INDIRECTLY FOR THE PURPOSES OTHER THAN THOSE FOR WHICH IT WAS FURNISHED WITHOUT WRITTEN PERMISSION OF McElroy Manufacturing, Inc.



3" JIS SPLITTER BODY SETParts List

| ITEM | PART NO. | QTY. | DESCRIPTION |
|------|----------------|----------|--------------------------------------|
| | B3-3501 | 1 | ASSEMBLY |
| 1 | B3-3601 | 1 | C'BORED SPLITTER BODY FLANGE (JAPAN) |
| 2 | B3-3602 | 1 | TAPPED SPLITTER BODY FLANGE (JAPAN) |
| 3 | B3-3603 | 2 | SPLITTER BODY SIDE PLATE (JAPAN) |
| 4 | | | |
| 5 | MAC00073 | 12 | 5/16-18NC X 3/4"LG SHCS STL BL |

NOTES:

1. Use Loctite #242 On Item #5.

DRAWING REVISION HISTORY LISTING

PART NO: B3-3501

DESCRIPTION: 3" JIS SPLITTER BODY SET

| <u>APPR.</u> | <u>REV</u> | <u>DATE</u> | <u>BY</u> | <u>DESCRIPTION OF REVISION</u> |
|--------------|------------|-------------|-----------|--|
| doug | A | 8/14/97 | TLW | REMOVED ITEM #4(B3-3604) QTY. 1 AND CHANGED QTY. OF ITEM #3 FROM (1) TO (2) AND ITEM #5(MAC00073) FROM (8) TO (12). |