



McElroy Manufacturing, Inc.  
The leader by design.  
Tulsa, Oklahoma U.S.A.

DRAWN: TLW

CHECK:

APPRV'D:

DATE: 02-06-96

DWG No: B3-200

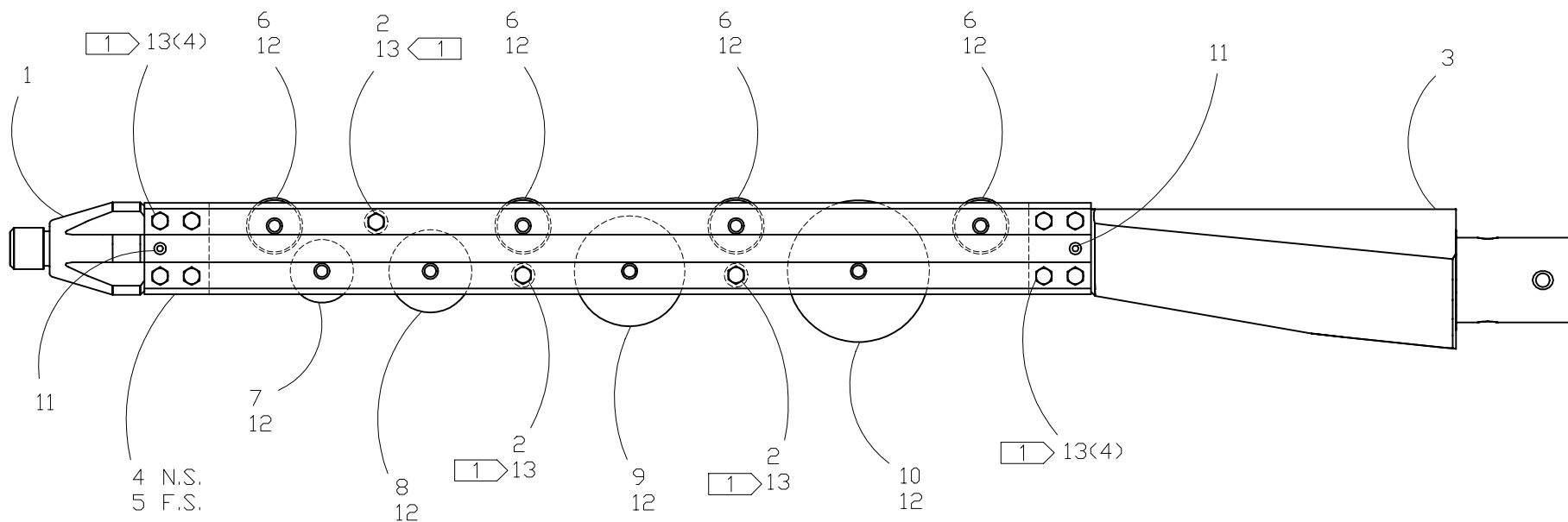
SHT No: 2

REV No: A

PART No: B3-202

3" BULLET ASSEMBLY

CAD FILE No: B3-202



NOTE: This drawing and the information contained therein is the confidential and proprietary property of McElroy Manufacturing, Inc. The drawing is not to be reproduced in any manner, submitted to outside parties for examination, or used directly or indirectly for purposes other than those for which it was furnished without written permission of McElroy Manufacturing, Inc.

**3" BULLET ASSEMBLY**Parts List

ITEM	PART NO.	QTY.	DESCRIPTION
	<b>B3-202</b>	<b>1</b>	<b>ASSEMBLY</b>
1	B3-1001	1	NOSE CONE
2	B3-1401	3	SPLITTER BODY SPACER
3	B3-2502	1	3" EXPANDER/PULLER CONE
4	B3-301	1	SPLITTER BODY-C'BORED
5	B3-302	1	SPLITTER BODY-TAPPED
6	B3-401	4	GUIDE ROLLER
7	B3-901	1	CUTTER WHEEL-2" DIA.
8	B3-902	1	CUTTER WHEEL-2-5/8" DIA.
9	B3-903	1	CUTTER WHEEL 3-1/2" DIA.
10	B3-904	1	CUTTER WHEEL- 4-1/2" DIA.
11	MCI00002	2	3/8" DIA X 1-1/2"LG DOWEL PIN
12	MCI00014	8	1/2" DIA X 1-1/2"LG DOWEL PIN
13	MAA00035	11	5/16-18NC X 1-1/2"LG HHCS GR2 STL PL

**NOTES:**

1. Install With Loctite #242.