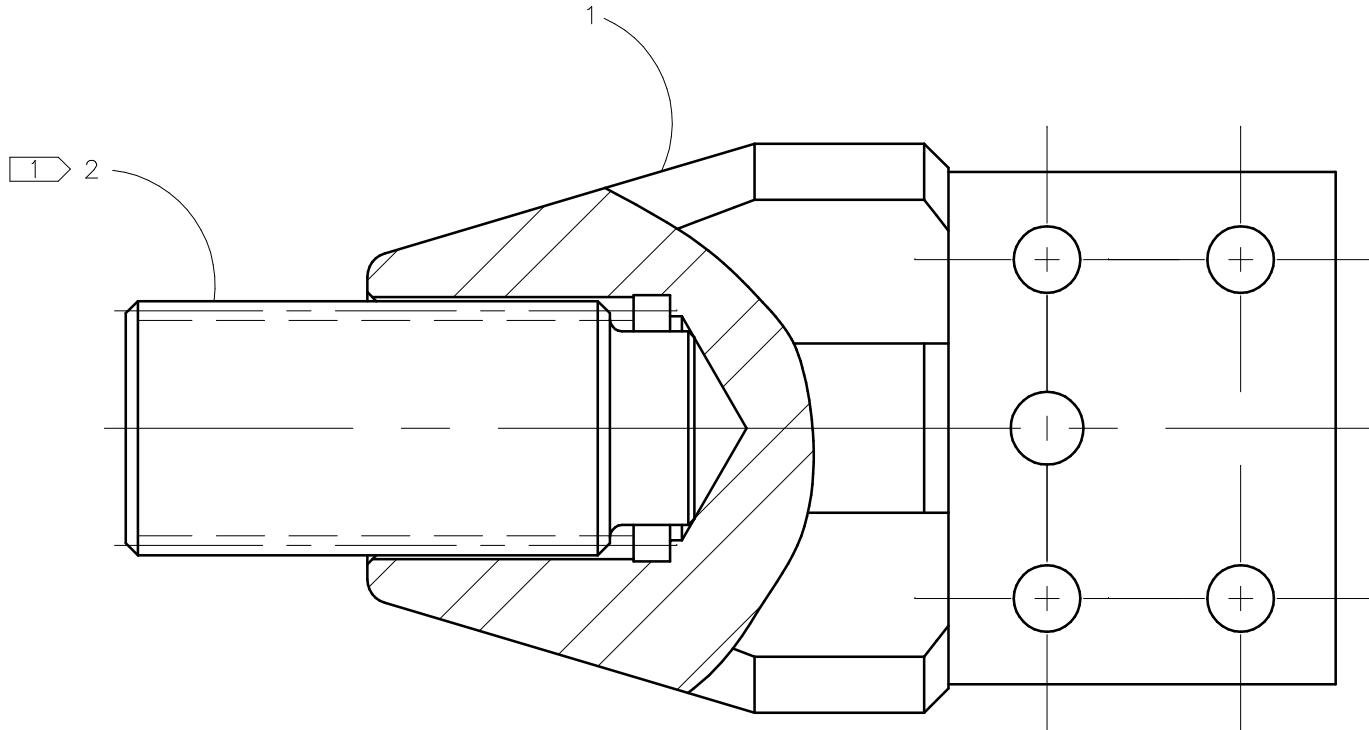




McElroy Manufacturing, Inc.  
The leader by design.  
© Tulsa, Oklahoma U.S.A.

DRAWN: TLW	CHECK: DOUG	APPRV'D: JMC	DATE: 04-22-96	DWG No: B3-1000	SHT No: 1	REV No: C	PART No: B3-1001
3" Bullet NOSE CONE ASSEMBLY							CAD No: B3-1001

NOTE: THIS DRAWING AND THE INFORMATION CONTAINED THEREIN IS THE CONFIDENTIAL AND PROPRIETARY PROPERTY OF McElroy Manufacturing, Inc. THE DRAWING IS NOT TO BE REPRODUCED IN ANY MANNER, SUBMITTED OUTSIDE PARTIES FOR EXAMINATION, OR USED DIRECTLY OR INDIRECTLY FOR THE PURPOSES OTHER THAN THOSE FOR WHICH IT WAS FURNISHED WITHOUT WRITTEN PERMISSION OF McElroy Manufacturing, Inc.



**3" Bullet NOSE CONE ASSEMBLY**Parts List

ITEM	PART NO.	QTY.	DESCRIPTION
	<b>B3-1001</b>	<b>1</b>	<b>ASSEMBLY</b>
1	B3-1002	1	NOSE CONE
2	B6-603	1	1-5/16"DIA. ACME THREAD STUD

**NOTES:**

1. Use Loctite #680 And Tighten Item #2(Acme Stud) Into Item #1(Nose Cone).