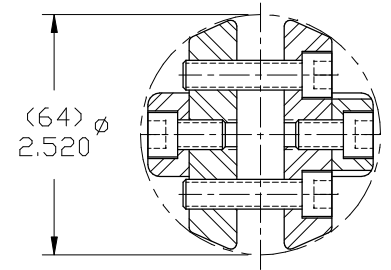




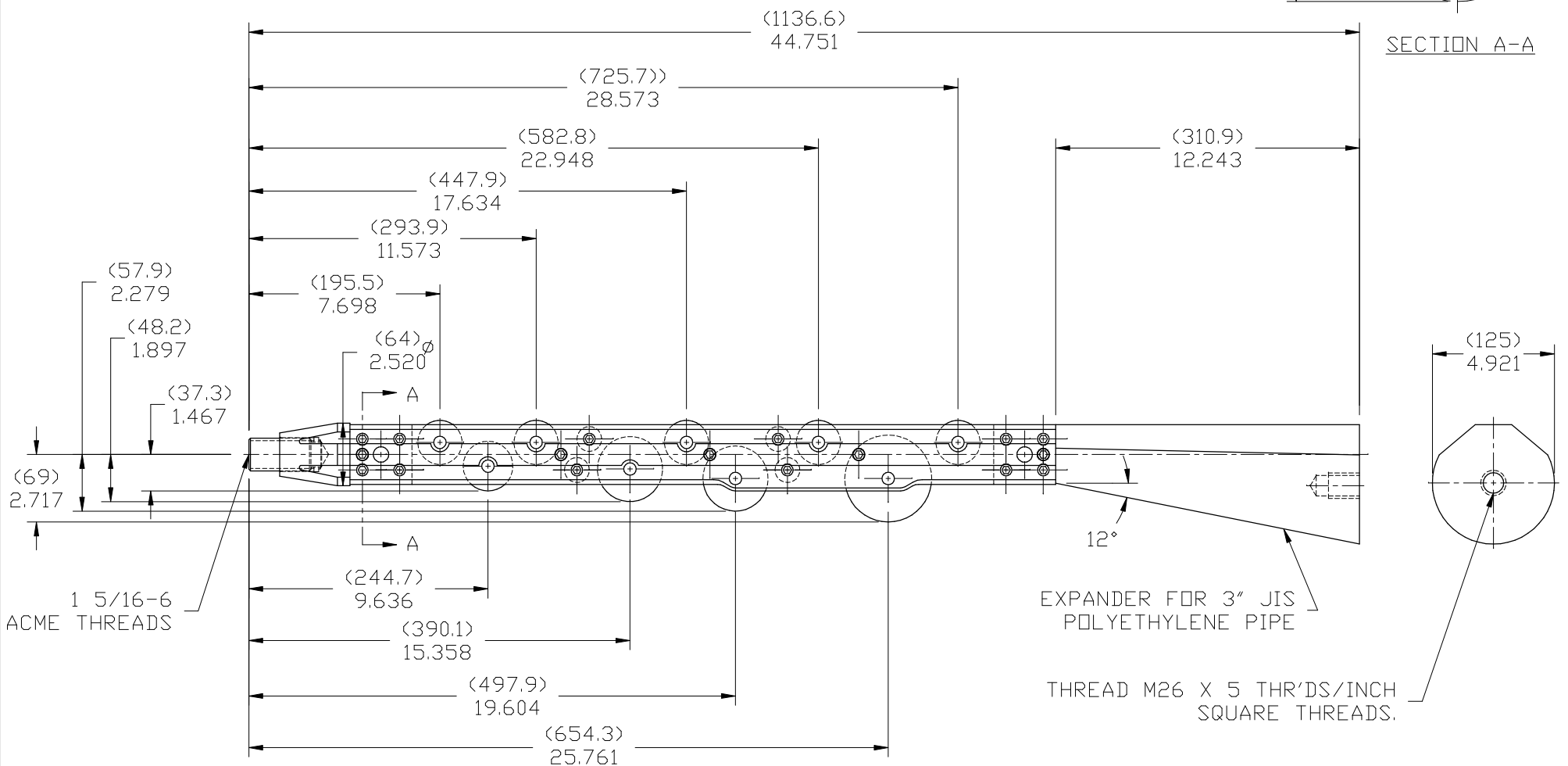
McElroy Manufacturing, Inc.
 The leader by design.
 Tulsa, Oklahoma U.S.A.

DRAWN: TLW	CHECK: doug	APPR'D: B	DATE: 9/4/96	DWG No: B250-200	SHT No: 1	REV No: C	PART No: B250-201
2 1/2" BULLET ASSEMBLY (JAPAN)							CAD FILE No: B250-201

APPROVED AS DRAWN _____ DATE _____
 REVISED AS NOTED _____ DATE _____



SECTION A-A



NOTES:

1. DIMENSIONS IN () ARE IN MILLIMETERS, ALL OTHER DIMENSIONS ARE IN INCHES.

NOTE: This drawing and the information contained therein is the confidential and proprietary property of McElroy Manufacturing, Inc. The drawing is not to be reproduced in any manner, submitted to outside parties for examination, or used directly or indirectly for purposes other than those for which it was furnished without written permission of McElroy Manufacturing, Inc.