



McElroy Manufacturing, Inc.

The leader by design.

Tulsa, Oklahoma U.S.A.

DRAWN: TLW

CHECK: doug

APPRV'D: doug

DATE: 9/17/97

DWG No: B150-4201

SHT No: 1

REV No: A

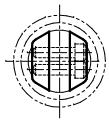
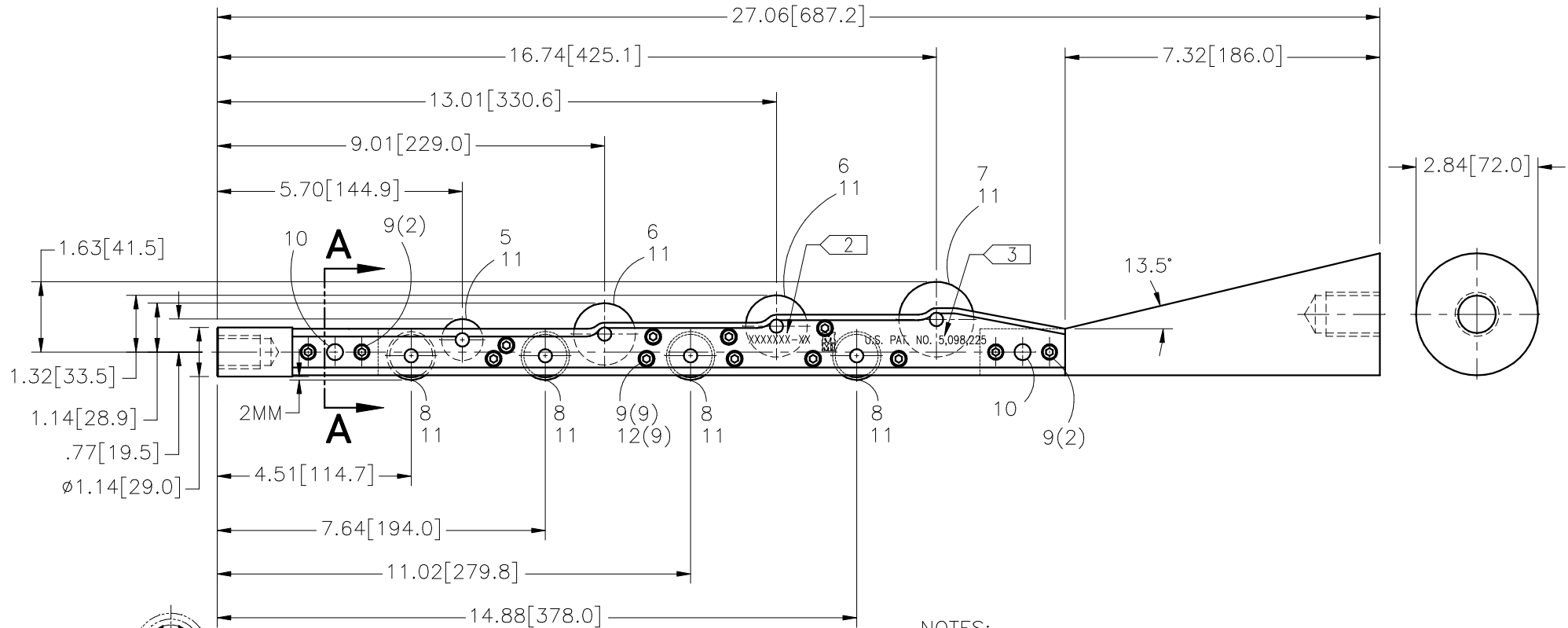
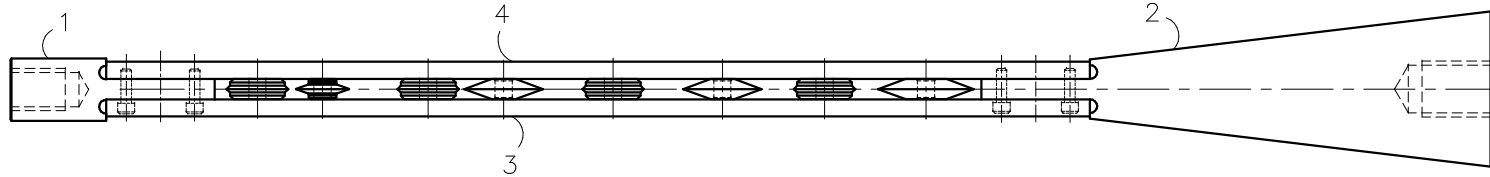
PART No: B150-4201

32A JIS BULLET ASSEMBLY

CAD No: B15\_4201

NOTE: THIS DRAWING AND THE INFORMATION CONTAINED THEREIN IS THE CONFIDENTIAL AND PROPRIETARY PROPERTY OF McElroy Manufacturing, Inc. THE DRAWING IS NOT TO BE REPRODUCED IN ANY MANNER, SUBMITTED OUTSIDE PARTIES FOR EXAMINATION, OR USED DIRECTLY OR INDIRECTLY FOR THE PURPOSES OTHER THAN THOSE FOR WHICH IT WAS FURNISHED WITHOUT WRITTEN PERMISSION OF McElroy Manufacturing, Inc.

M26 X 5 T.P.I. SQUARE  
THREADS X 35mm DEEP MIN.



SECTION A-A

NOTES:

1. DIMENSIONS IN [ ] ARE IN MILLIMETERS. ALL OTHER DIMENSIONS ARE IN INCHES.
2. STAMP SERIAL NUMBER AS SHOWN.  
MMI JOB NO. XXXXXXX-XX 01, 02, ETC.  
(TYP. N.S. & F.S.)
3. STAMP MMI LOGO & U.S. PAT. NUMBER AS SHOWN.  
(TYP. N.S. & F.S.)

**32A JIS BULLET™ ASSEMBLY**Parts List

ITEM	PART NO.	QTY.	DESCRIPTION
	<b>B150-4201</b>	<b>1</b>	<b>ASSEMBLY</b>
1	B150-4401	1	JIS NOSE CONE
2	B150-4501	1	JIS EXPANDER
3	B150-4601	1	JIS C'BORE SPLITTER BODY
4	B150-4602	1	JIS TAPPED SPLITTER BODY
5	B150-901	1	31/32 DIA CUTTER WHEEL
6	B150-902	2	1 7/16 DIA CUTTER WHEEL
7	B150-903	1	1 3/4 DIA CUTTER WHEEL
8	B150-1901	4	GUIDE ROLLER
9	MAC00038	13	#10-24NC X 3/4 LG SHCS 18-8 SS
10	MCI00024	2	3/8 DIA. X 1 LG DOWEL PIN
11	MCI00023	8	5/16 DIA. X 1 LG DOWEL PIN
12	B150-4701	9	SPLITTER BODY SPACER

**NOTES:**

4. INSTALL ALL BOLTS WITH LOCTITE #242.

## DRAWING REVISION HISTORY LISTING

**PART NO:** B150\_4201  
**DESCRIPTION:** 32A JIS Bullet™ ASSEMBLY

<u>APPR.</u>	<u>REV</u>	<u>DATE</u>	<u>BY</u>	<u>DESCRIPTION OF REVISION</u>
doug	A	10/29/97	TLW	MOVED GUIDE ROLLERS IN (2mm) AND MOVED CUTTER WHEELS AND LENGTHEN BULLET TO ELIMATE INTERFERENCE WITH GUIDE ROLLERS. REVISED ITEM #9 FROM MAC00037 #10-24NC X 5/8 LG SHCS TO MAC00038 #10-24NC X 3/4 LG SHCS 18-8 SS AND QTY. FROM 11 TO 13 AND ADDED ITEM #12 B150-4701 SPLITTER BODY SPACER QTY. 9