



McElroy Manufacturing, Inc.
 The leader by design.
 Tulsa, Oklahoma U.S.A.

DRAWN: TLW

CHECK: TLW

APPRV'D: SWB

DATE: 03/26/99

DWG No:

SHT No:

REV No: D

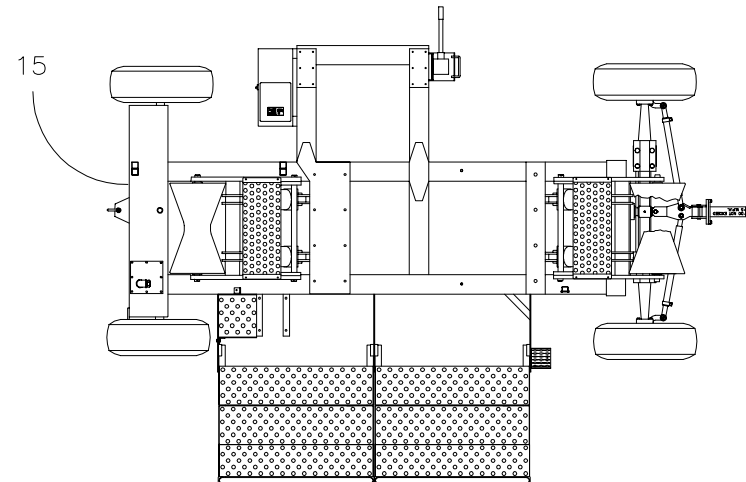
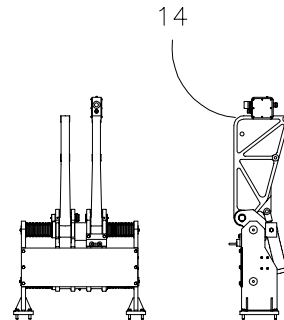
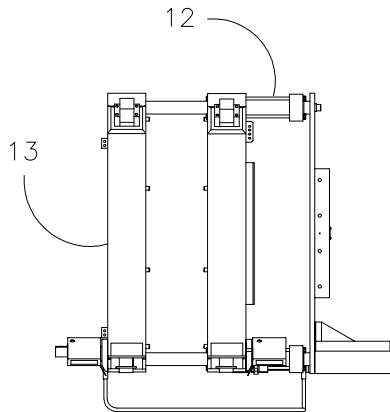
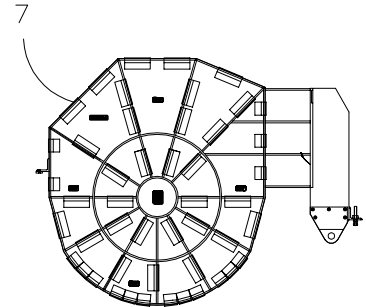
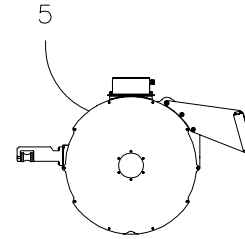
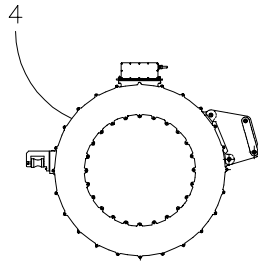
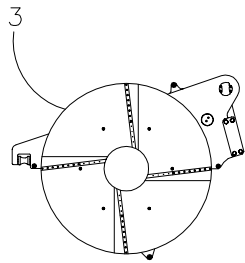
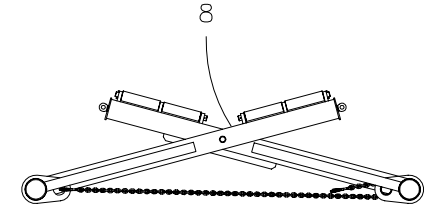
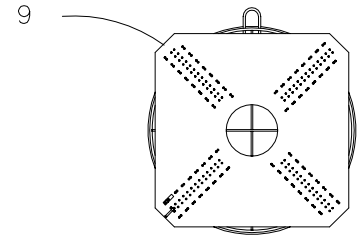
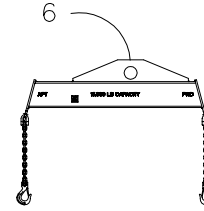
PART No:

#2065 FUSION MACHINE GROUPING FOR 6300100 ASSEMBLIES

CAD No: _ASSY65

NOTE: THIS DRAWING AND THE INFORMATION CONTAINED THEREIN IS THE CONFIDENTIAL AND PROPRIETARY PROPERTY OF McElroy Manufacturing, Inc. THE DRAWING IS NOT TO BE REPRODUCED IN ANY MANNER, SUBMITTED OUTSIDE PARTIES FOR EXAMINATION, OR USED DIRECTLY OR INDIRECTLY FOR THE PURPOSES OTHER THAN THOSE FOR WHICH IT WAS FURNISHED WITHOUT WRITTEN PERMISSION OF McElroy Manufacturing, Inc.

- 1 - 6300301 #2065 HYDRAULIC SCHEMATIC (NOT SHOWN)
- 2 - 6300302 #2065 PLUMBING SCHEMATIC (NOT SHOWN)
- 3 - 6300601 #2065 FACER ASSEMBLY
- 4 - 6300903 #2065 BUTT PLATE HEATER ASSEMBLY
- 5 - 6301101 #2065 48" BUTT PLATE HEATER ASSEMBLY
- 6 - 6307902 #2065 SPREADER BAR ASSEMBLY
- 7 - 6312201 #2065 HEATER PANEL AND FRAME ASSEMBLY
- 8 - 6314001 #2065 PIPE SUPPORT STAND ASSEMBLY
- 9 - 6315501 #2065 STUB END HOLDER ASSEMBLY
- 10 - 6318002 #2065 ELECTRICAL POWER ASSEMBLY 220-240V, 50/60Hz, 3Ph (NOT SHOWN)
- 10 - 6320201 #2065 ELECTRICAL POWER ASSEMBLY 415V, 50Hz, 3Ph (NOT SHOWN)
- 11 - 6318003 #2065 CONTROL BOX ASSYMBLY 220-240V ,50/60Hz, 3Ph (NOT SHOWN)
- 11 - 6320202 #2065 CONTROL BOX ASSEMBLY 415V, 50Hz, 3Ph (NOT SHOWN)
- 12 - 4829001 HIGH FORCE CYLINDER ASSEMBLY SET
- 13 - 6319301 #2065 JAW SET ASSEMBLY
- 14 - 6319401 #2065 INDEXING CARRIAGE ASSEMBLY
- 15 - 6319501 #2065 ROLLING CHASSIS ASSEMBLY



DRAWING REVISION HISTORY LISTING

PART NO: _ASSY65

DESCRIPTION: #2065 FUSION MACHINE GROUPING FOR 6300100 ASSEMBLIES

<u>APPR.</u>	<u>REV</u>	<u>DATE</u>	<u>BY</u>	<u>DESCRIPTION OF REVISION</u>
TLW	A	9/19/00	BWW	UPDATE DRAWING TO MATCH DESCRIPTIONS FOR ITEMS 1, 11, & 12. FOR CHANGE TO MULTI-RANGE HOUR METER. SEE PCR 99037.
SWB	B	03/26/01	BWW	REVISED TO REMOVE 220-240V. 50/60Hz, 3PH FROM ITEM #'S 5 & 6 ALSO ADDED 'ASSEMBLY' TO ITEM #1. CHANGES MADE TO MATCH DRAWING DESCRIPTIONS.
SWB	C	09/06/01	RLE	ADDED NEW SUB-ASSEMBLIES TO REPLACE OVERALL ASSEMBLY.
SWB	D	9/19/05	MLM	REVISED TO ADD 415V, 50Hz, 3Ph OPTIONS