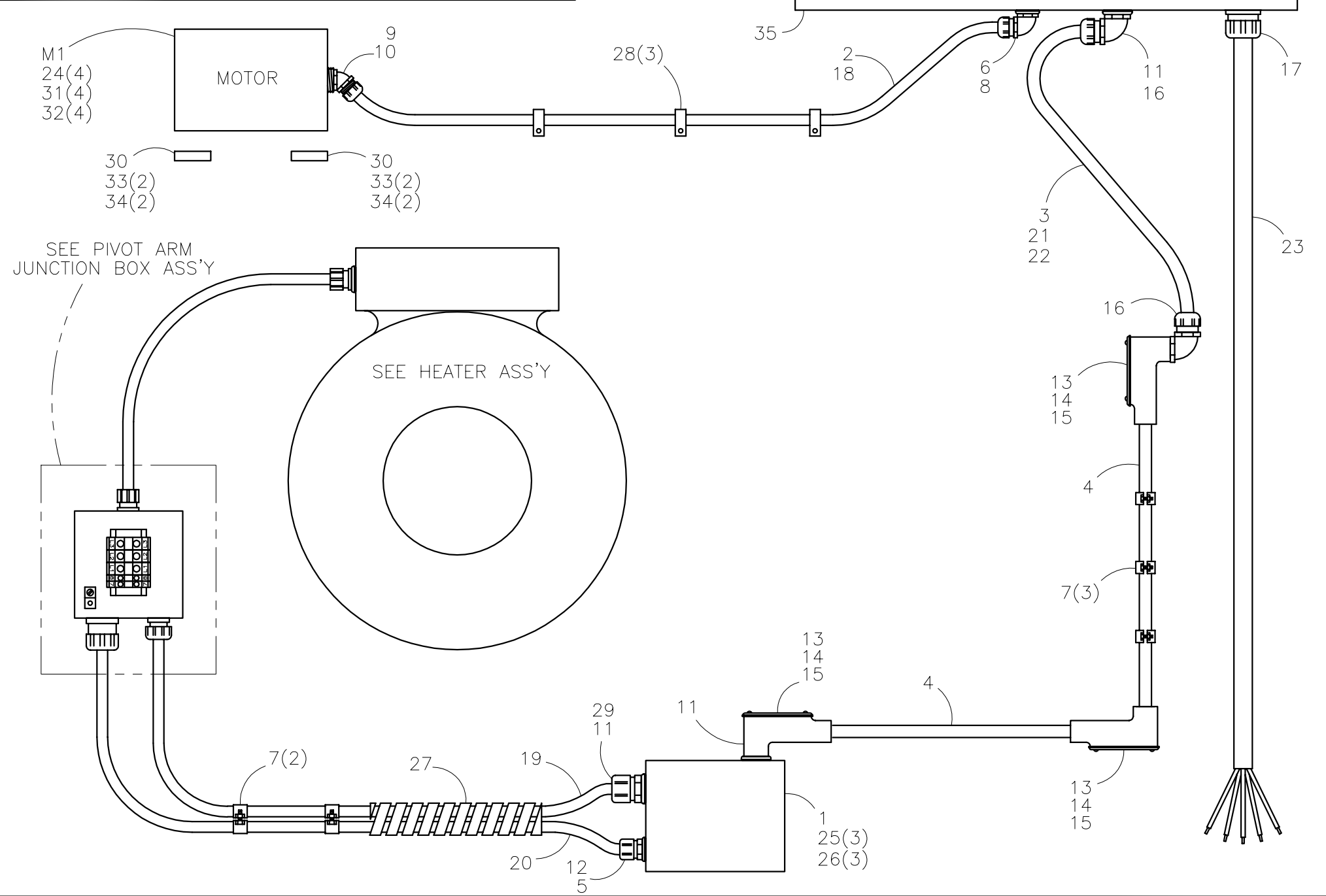




**McElroy Manufacturing, Inc.**  
 The leader by design.  
 Tulsa, Oklahoma U.S.A.

|  |            |              |               |                 |           |         |                  |
|--|------------|--------------|---------------|-----------------|-----------|---------|------------------|
| DRAWN: BEA                                       | CHECK: MJA | APPRV'D: JRP | DATE: 8/27/05 | DWG No: 6320200 | SHT No: 1 | REV No: | PART No: 6320201 |
| #2065A ELECTRICAL POWER ASSEMBLY 415V, 50Hz, 3Ph |            |              |               |                 |           |         | CAD No: 6320201  |

NOTE: THIS DRAWING AND THE INFORMATION CONTAINED THEREIN IS THE CONFIDENTIAL AND PROPRIETARY PROPERTY OF McElroy Manufacturing, Inc. THE DRAWING IS NOT TO BE REPRODUCED IN ANY MANNER, SUBMITTED OUTSIDE PARTIES FOR EXAMINATION, OR USED DIRECTLY OR INDIRECTLY FOR THE PURPOSES OTHER THAN THOSE FOR WHICH IT WAS FURNISHED WITHOUT WRITTEN PERMISSION OF McElroy Manufacturing, Inc.



**#2065A ELECTRICAL POWER ASSEMBLY**  
**415V, 50Hz, 3Ph**

Parts List

| ITEM | PART NO.       | QTY.  | DESCRIPTION                         |
|------|----------------|-------|-------------------------------------|
|      | <b>6320201</b> |       | <b>ASSEMBLY</b>                     |
| M1   | MDB00060       | 1     | 10HP INDUCTION MOTOR                |
| 1    | MLA00091       | 1     | ELECTRIC BOX                        |
| 2    | MLI00002       | 15 FT | 3/4 FLEXIBLE CONDUIT                |
| 3    | MLI00007       | 3 FT  | 1-1/4 FLEXIBLE CONDUIT              |
| 4    | MLI00009       | 6 FT  | 1-1/4 RIGID CONDUIT                 |
| 5    | MLJ00004       | 1     | 1/2 SEAL RING                       |
| 6    | MLJ00005       | 1     | 3/4 SEAL RING                       |
| 7    | MLJ00008       | 5     | CONDUIT HANGER                      |
| 8    | MLJ00009       | 1     | 3/4 X 90DEG CONDUIT CONNECTOR       |
| 9    | MLJ00010       | 1     | 3/4 X 45DEG CONDUIT CONNECTOR       |
| 10   | MLJ00035       | 1     | 1 X 3/4 THREADED CONDUIT REDUCER    |
| 11   | MLJ00058       | 3     | 1-1/4 SEAL RING                     |
| 12   | MLK00015       | 1     | 1/2 STRAIN RELIEF CONNECTOR         |
| 13   | MLK00025       | 3     | 1-1/4 LB GASKET                     |
| 14   | MLK00026       | 3     | 1-1/4 LB COVER                      |
| 15   | MLK00027       | 3     | 1-1/4 LB CONDUIT BODY               |
| 16   | MLK00029       | 2     | 1-1/4 X 90DEG CONDUIT CONNECTOR     |
| 17   | MLK00030       | 1     | 2" STRAIN RELIEF CONNECTOR W/WASHER |
| 18   | MLL00011       | 30 FT | #10 THHN/THWN ELEC WIRE, BLACK      |
| 19   | MLL00007       | 10 FT | #6/4 TYPE "SO" CABLE                |
| 20   | MLL00008       | 10 FT | #16/2 TYPE "SO" CABLE               |
| 21   | MLL00012       | 20 FT | #18/2 INSTRUMENT WIRE               |
| 22   | MLL00001       | 60 FT | #6 THHN/THWN ELEC WIRE, BLACK       |
| 23   | MLL00042       | 50 FT | #4/5 TYPE "SO" CABLE                |
| 24   | MLM00033       | 4     | TWIST LOCK CONNECTOR                |
| 25   | MLM00116       | 3     | 1-2 X 5/16 RING TERMINAL            |
| 26   | MLM00118       | 3     | 3-4 X 5/16 RING TERMINAL            |
| 27   | MLN00059       | 40 FT | PLASTIC SPIRAL WRAP                 |
| 28   | MLN00070       | 3     | 3/4" CONDUIT STRAP, 1 HOLE          |
| 29   | 3620401        | 1     | STRAIN RELIEF MODIFICATION          |
| 30   | 4830001        | 2     | MOTOR MOUNT ADAPTER PLATE           |
| 31   | MAB00066       | 4     | 3/8-18NC X 1 1/2 LG HHCS            |
| 32   | MBE00007       | 4     | 3/8 REG SPLIT LK WASHER STL PL      |
| 33   | MAB00104       | 4     | 1/2-13NC X 1 3/4 LG HHCS            |
| 34   | MBE00009       | 4     | 1/2 REG SPLIT LK WASHER STL PL      |
| 35   | 6320202        | 1     | CONTROL BOX ASSEMBLY                |

**NOTES:**

1. WIRE PER ELECTRICAL SCHEMATIC #6320203.

**McElroy Manufacturing, Inc.**  
 The leader by design.  
 Tulsa, Oklahoma U.S.A.

DRAWN: BEA    CHECK: MJA    APPROV'D: JRP    DATE: 8/27/05    DWG No.: 6320200    SHT No.: 3    REV No.:    PART No.: 6320203    CAD No.: 6320203

#2065A ELECTRICAL SCHEMATIC 415V, 50Hz, 3Ph

NOTE: THIS DRAWING AND THE INFORMATION CONTAINED THEREIN IS THE CONFIDENTIAL AND PROPRIETARY PROPERTY OF McElroy Manufacturing, Inc. THE DRAWING IS NOT TO BE REPRODUCED IN ANY MANNER, SUBMITTED OUTSIDE PARTIES FOR EXAMINATION, OR USED DIRECTLY OR INDIRECTLY FOR THE PURPOSES OTHER THAN THOSE FOR WHICH IT WAS FURNISHED WITHOUT WRITTEN PERMISSION OF McElroy Manufacturing, Inc.

