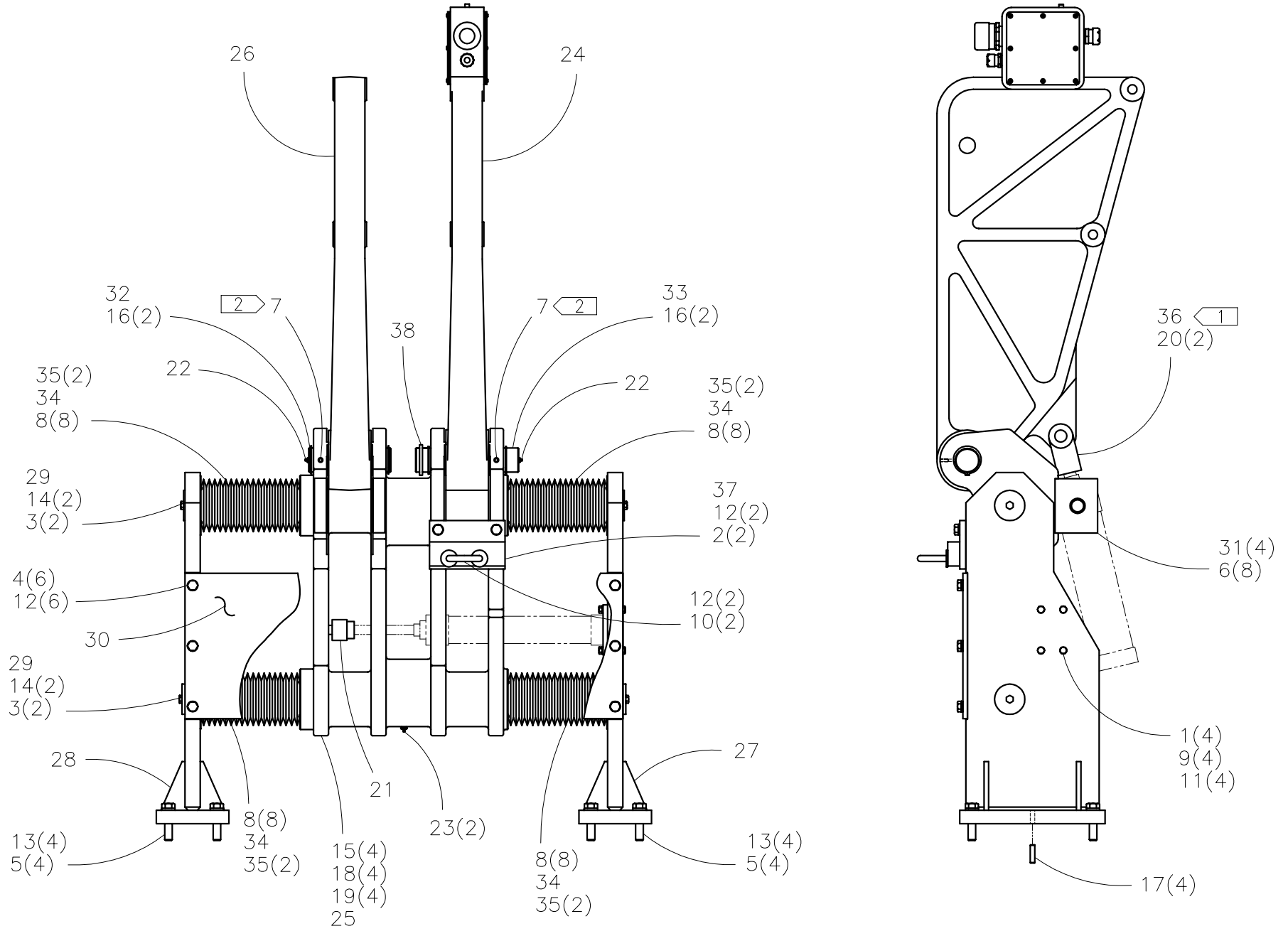




McElroy Manufacturing, Inc.
The leader by design.
Tulsa, Oklahoma U.S.A.

DRAWN: RLE	CHECK: BWP	APPRV'D: SWB	DATE: 9/6/01	DWG No: 6319400	SHT No: 1	REV No: A	PART No: 6319401
#2065 INDEXING CARRIAGE ASSEMBLY							CAD No: 6319401

NOTE: THIS DRAWING AND THE INFORMATION CONTAINED THEREIN IS THE CONFIDENTIAL AND PROPRIETARY PROPERTY OF McElroy Manufacturing, Inc. THE DRAWING IS NOT TO BE REPRODUCED IN ANY MANNER, SUBMITTED OUTSIDE PARTIES FOR EXAMINATION, OR USED DIRECTLY OR INDIRECTLY FOR THE PURPOSES OTHER THAN THOSE FOR WHICH IT WAS FURNISHED WITHOUT WRITTEN PERMISSION OF McElroy Manufacturing, Inc.



#2065 INDEXING CARRIAGE ASSEMBLYPARTS LIST

ITEM	PART NO.	QTY	DESCRIPTION
	6319401		ASSEMBLY
1	MAB00037	4	5/16-18NC x 2" LG. HHCS
2	MAB00069	2	1/2-13NC x 1-1/2" LG. HHCS
3	MAB00077	4	3/8-16NC x 1" LG HHCS
4	MAB00081	6	1/2-13 NC x 1-1/4" LG. HHCS
5	MAB00083	8	5/8-11NC x 2-1/2" LG. HHCS
6	MAC00389	8	1/2-20 NF x 3-1/2" LG. SHCS
7	MAG00011	2	1/4-20 NC x 3/4" LG. CONE PT. SET SCREW
8	MAH00049	32	#6-32 NC x 1/2" LG. RHSMS
9	MBA00006	4	5/16-18NC FINISHED HEX NUT
10	MAH00184	1	U-BOLT W/NUTS
11	MBE00006	4	5/16" REGULAR SPLIT LOCK WASHER
12	MBE00009	10	1/2" REGULAR SPLIT LOCK WASHER
13	MBE00011	8	5/8" REGULAR SPLIT LOCK WASHER
14	MBG00064	4	3/8" SPECIAL FLAT WASHER
15	MCA00002	4	INTERNAL SNAP RING
16	MCB00012	4	EXTERNAL SNAP RING
17	MCI00012	4	3/8" DIA. x 1-1/4" LG. DOWEL PIN
18	MDL00047	4	SEAL
19	MDM00037	4	LINEAR BALL BEARING
20	MEK00012	2	ROD CLEVIS W/PIN
21	MEK00018	1	COUPLER/ALIGNER
22	MFJ00001	2	1/4-28NF GREASE ZERK
23	MFJ00002	2	1/8 NPT GREASE ZERK
24	6300801	1	HEATER PIVOT ARM / JUNCTION BOX ASSEMBLY
25	6302004	1	HEATER/FACER INDEXING CARRIAGE
26	6302503	1	FACER PIVOT ARM ASSEMBLY
27	6305201	1	INDEXING CARRIAGE AFT MOUNTING BRACKET
28	6305202	1	INDEXING CARRIAGE FWD. MOUNTING BRACKET
29	6306102	2	INDEXING CARRIAGE GUIDE ROD
30	6307201	1	INDEXING CARRIAGE MTG. STIFFENER PLATE
31	6307401	4	TRUNNION BLOCK ASSEMBLY
32	6307501	1	FACER PIVOT PIN
33	6307502	1	HEATER PIVOT PIN
34	6311301	4	CARRIAGE ROD BOOT
35	6311302	8	ROD BOOT BACK UP PLATE

#2065 INDEXING CARRIAGE ASSEMBLYPARTS LIST

ITEM	PART NO.	QTY	DESCRIPTION
36	6311501	1	FACER PIVOT CYLINDER CLEVIS SPACER
37	6312801	1	INDEXING CARRIAGE BAG FRAME STOP BRACKET
38	4825201	1	HEATER PANEL FRAME SPACER

NOTES:

1. ITEM #36 IS USED IN FACER PIVOT CYLINDER ONLY.
2. INSTALL WITH LOCTITE 242.

DRAWING REVISION HISTORY LISTING

PART NO: 6319401

DESCRIPTION: #2065 INDEXING CARRIAGE ASSEMBLY

<u>APPR.</u>	<u>REV</u>	<u>DATE</u>	<u>BY</u>	<u>DESCRIPTION OF REVISION</u>
SWB	A	01/11/05	BWW	ADDED NOTE 2 TO LOCTITE AT ASSEMBLY TO MATCH AS BUILT CONDITION.