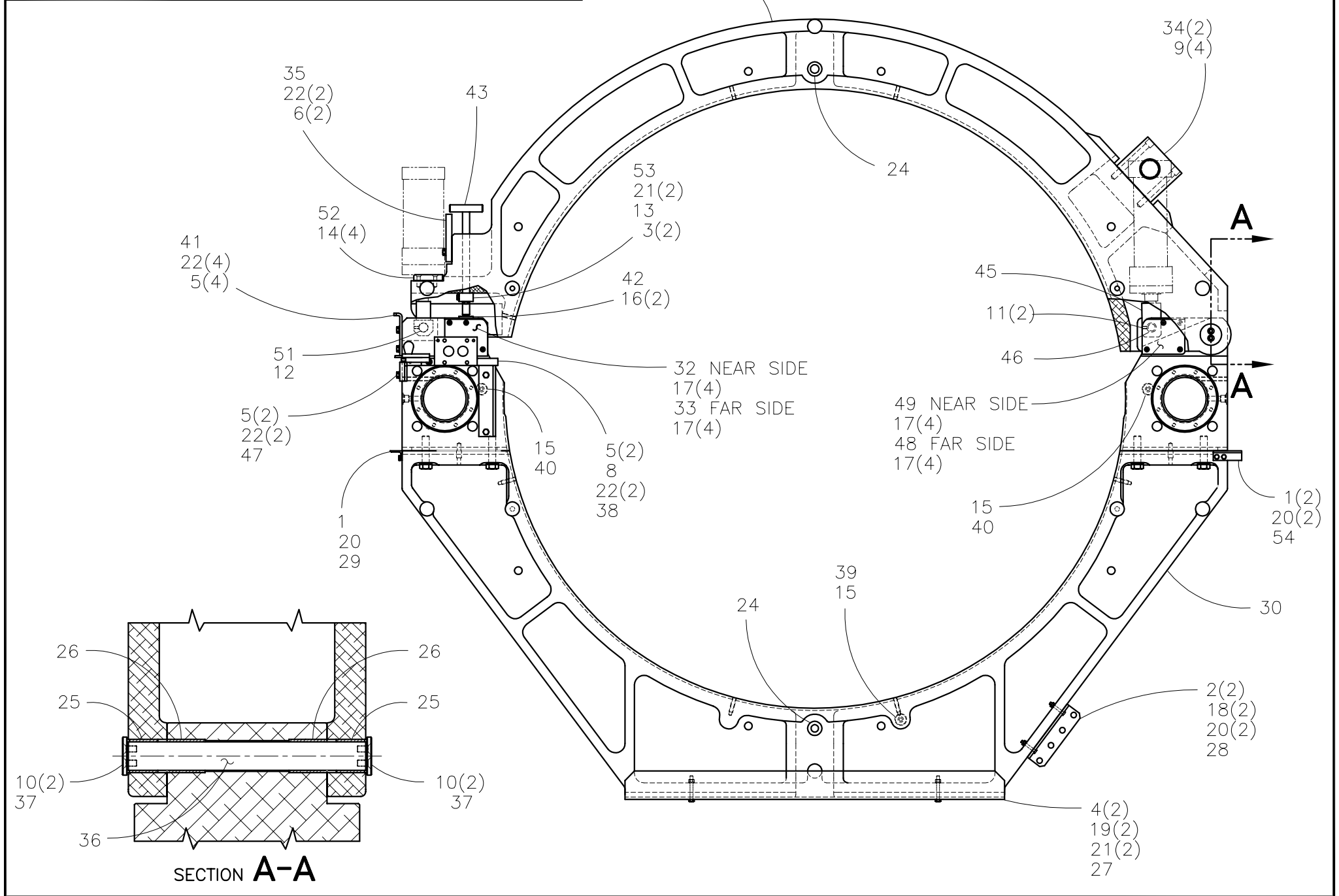




McElroy Manufacturing, Inc.
 The leader by design.
 Tulsa, Oklahoma U.S.A.

DRAWN: RLE	CHECK: BWP	APPRV'D: JRP	DATE: 9/6/01	DWG No: 6319100	SHT No: 1	REV No: C	PART No: 6319101
#2065 MOVABLE JAW ASSEMBLY							CAD No: 6319101

NOTE: THIS DRAWING AND THE INFORMATION CONTAINED THEREIN IS THE CONFIDENTIAL AND PROPRIETARY PROPERTY OF McElroy Manufacturing, Inc. THE DRAWING IS NOT TO BE REPRODUCED IN ANY MANNER, SUBMITTED OUTSIDE PARTIES FOR EXAMINATION, OR USED DIRECTLY OR INDIRECTLY FOR THE PURPOSES OTHER THAN THOSE FOR WHICH IT WAS FURNISHED WITHOUT WRITTEN PERMISSION OF McElroy Manufacturing, Inc.



#2065 MOVABLE JAW ASSEMBLY

PARTS LIST

ITEM	PART NO.	QTY	DESCRIPTION
	6319101		ASSEMBLY
1	MAB00003	3	1/4-20NC x 3/4" LG. HHCS
2	MAB00007	2	1/4-20NC x 1-3/4" LG. HHCS
3	MAB00035	2	5/16-18NC x 1-1/2" LG. HHCS
4	MAB00039	2	5/16-18NC x 2-1/2" LG. HHCS
5	MAB00064	8	3/8-16NC x 1" LG. HHCS
6	MAB00066	2	3/8-16NC x 1-1/2" LG. HHCS
7			
8	MAC00094	1	3/8-16NC x 1" LG. SHCS
9	MAC00152	4	1/2-13NC x 5" LG. SHCS
10	MAD00058	4	5/16-18NC x 3/4" LG. FHSCS
11	MAH00053	2	1/4-20NC x 1" LG. SOCKET SET SCREW
12	MAH00054	1	1/4-20NC x 1/2" LG. SOCKET SET SCREW
13	MAH00092	1	5/16-18 NC x 5/8" LG. HHCS
14	MAH00143	4	5/16-18 NC x 1-1/4" LG. FHSCS SS
15	MAH00159	3	3/8-16 NC x 1-3/4" LG. SHCS SS
16	MAH00160	2	#8-32 NC x 1/2" LG. FHSCS SS
17	MAN00016	16	#10-32 NF x 3/4" LG. FHSCS SS
18	MBA00005	2	1/4-20NC FINISHED HEX NUT
19	MBA00006	2	5/16-18 NC FINISHED HEX NUT
20	MBE00005	5	1/4" REGULAR SPLIT LOCK WASHER
21	MBE00006	4	5/16" REGULAR SPLIT LOCK WASHER
22	MBE00007	10	3/8" REGULAR SPLIT LOCK WASHER
23			
24	MCE00020	2	3/4" DIA. X 6.00 GRIP DETENT PIN
25	MDM00185	2	BUSHING
26	MDM00229	2	BUSHING
27	6301401	1	HOSE TROUGH
28	6301501	1	HTR. & FCR. INDEXER HOSE MOUNTING BRACKET
29	6301901	1	BULKHEAD FITTING MOUNTING BRACKET
30	6302109	1	LOWER MOVABLE JAW CAP ASSEMBLY
31	6302204	1	UPPER JAW
32	6302903	1	CLAMP SIDE JAW CAP WEAR BLOCK
33	6302904	1	CLAMP SIDE JAW CAP WEAR BLOCK
34	6303301	2	TRUNNION BLOCK ASSEMBLY
35	6303701	1	JAW CLAMP CYLINDER STOP
36	6304702	1	UPPER JAW PIVOT PIN

#2065 MOVABLE JAW ASSEMBLYPARTS LIST

ITEM	PART NO.	QTY	DESCRIPTION
37	6304703	2	UPPER JAW PIVOT PIN CAP
38	6306704	1	MOVABLE JAW VALVE STACK MOUNTING BRACKET
39	6307603	1	REST BUTTON
40	6307604	2	REST BUTTON
41	6310601	1	CLAMP CYLINDER SUPPORT
42	6310701	1	ADJUSTMENT SCREW WEAR PAD
43	6310801	1	CLAMP ADJUSTMENT SCREW
44			
45			
46	6311401	1	JAW PIVOT CYLINDER PIVOT PIN
47	6312701	1	CARRIAGE VALVE HANDLE LOCK ASSEMBLY
48	4802401	1	JAW WEAR BLOCK
49	4802402	1	JAW WEAR BLOCK
50			
51	4802901	1	CLAMP CYLINDER PIVOT PIN
52	4803001	1	CLAMP CYLINDER PAD
53	4803101	1	UPPER JAW ADJUSTMENT SCREW BLOCK
54	4818102	1	INNER MOVABLE JAW BULKHEAD CLIP

DRAWING REVISION HISTORY LISTING

PART NO: 6319101

DESCRIPTION: #2065 MOVABLE JAW ASSEMBLY

<u>APPR.</u>	<u>REV</u>	<u>DATE</u>	<u>BY</u>	<u>DESCRIPTION OF REVISION</u>
LAA	A	10/22/03	BWW	REVISED DRAWING TO REMOVE ITEM 50 4802801 WHICH IS INCLUDED WITH CYLINDER MEB00126.
SWB	B	04/29/05	JAB	REVISED DRAWING TO REMOVE 6311201 (ITEM #45) WHICH IS NOW FURNISHED WELDED TO THE CYLINDER SHAFT.
SPA	C	09/27/05	JAB	REVISED TO REMOVE ITEMS 44, 23 AND 7 (6310901, MBE00009 AND MAB00103), BECAUSE CYLINDER IS NOW PROVIDED WITH HANDLE.