

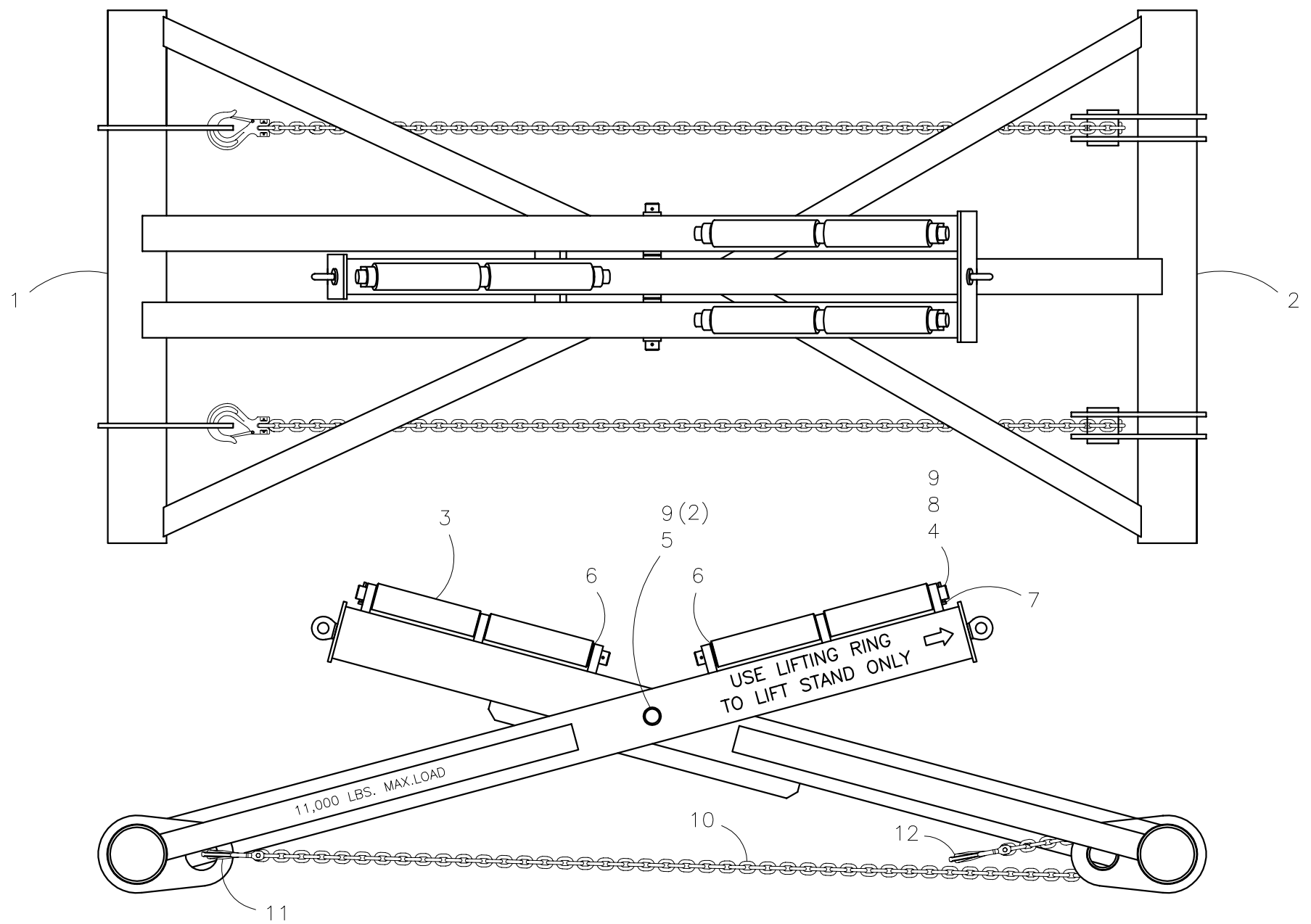


McElroy Manufacturing, Inc.
 The leader by design.
 Tulsa, Oklahoma U.S.A.

DRAWN: TGW	CHECK: BWP	APPRV'D: TLW	DATE: 5/8/98	DWG No: 6314000	SHT No: 1	REV No: D	PART No: 6314001
PIPE SUPPORT STAND							CAD No: 6314001

NOTE: THIS DRAWING AND THE INFORMATION CONTAINED THEREIN IS THE CONFIDENTIAL AND PROPRIETARY PROPERTY OF McElroy Manufacturing, Inc. THE DRAWING IS NOT TO BE REPRODUCED IN ANY MANNER, SUBMITTED TO OUTSIDE PARTIES FOR EXAMINATION, OR USED DIRECTLY OR INDIRECTLY FOR THE PURPOSES OTHER THAN THOSE FOR WHICH IT WAS FURNISHED WITHOUT WRITTEN PERMISSION OF McElroy Manufacturing, Inc.

NOTES:
 1. EST. WEIGHT 1150 lbs.



PIPE SUPPORT STAND

Parts List

ITEM	PART NO.	QTY.	DESCRIPTION
	6314001		ASSEMBLY
1	6314002	1	OUTER LEG WELDMENT
2	6314003	1	INNER LEG WELDMENT
3	6314005	6	ROLLER
4	6314006	3	ROLLER SHAFT
5	6314007	1	PIVOT SHAFT
6	MBG00050	3	THRUST WASHER 1-1/2" THRUST WASHER BRZ
7	MCG00008	3	1/4" DIA X 1" LG ROLL PIN
8	MCG00012	3	1/4" DIA X 2-1/2" LG ROLL PIN
9	MCH00006	5	1/4" DIA X 2" LG COTTER PIN
10	MDG00027	2	1/2" SIZE CHAIN, 110" LG (67 LINKS)
11	MJD00020	2	CLEVIS SLING HOOK W/LATCH
12	MJD00021	2	CLEVIS GRAB HOOK

DRAWING REVISION HISTORY LISTING

PART NO: 6314001
DESCRIPTION: PIPE SUPPORT STAND

<u>APPR.</u>	<u>REV</u>	<u>DATE</u>	<u>BY</u>	<u>DESCRIPTION OF REVISION</u>
TLW	A	5/7/98	TGW	REDRAWN TO 'A' SIZE.
LAA	B	11/17/03	RLE	ADDED NOTE TO STENCIL MAX. LOAD ON LEGS FOR CUSTOMER INFORMATION.
SWB	C	9/19/05	MLM	REVISED TO ADD NOTE 1 - "ESTIMATED WEIGHT."
SWB	D	09/29/06	ARB	REVISED TO MOVE THE WEIGHT LIMIT STENCIL NOTE FROM ASSEMBLY TO LEG WELDMENT DRAWING PER MANUFACTURING PROCESS