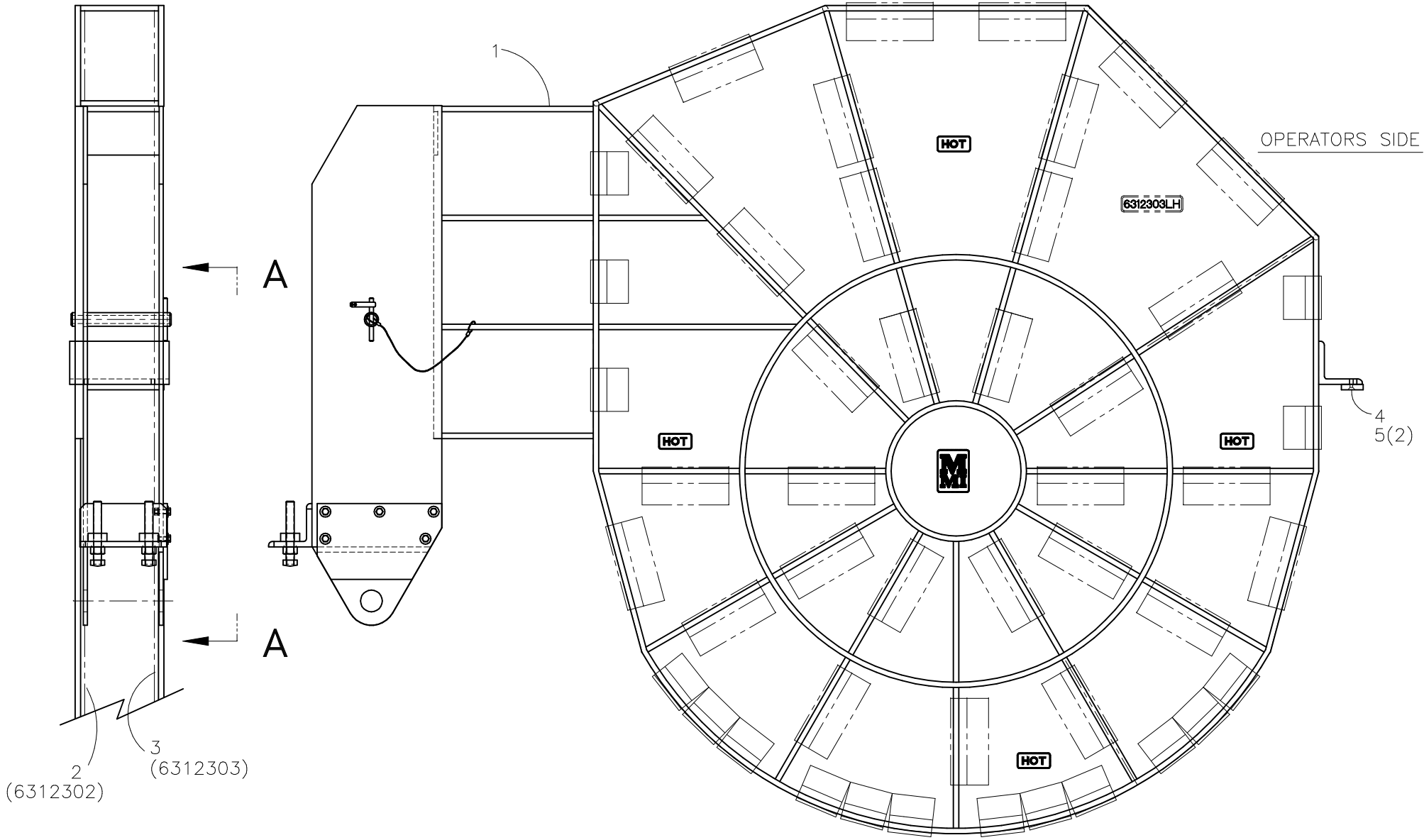




McElroy Manufacturing, Inc.
The leader by design.
Tulsa, Oklahoma U.S.A.

DRAWN: DJL	CHECK: BWP	APPRV'D: SWB	DATE: 12/12/97	DWG No: 6312200	SHT No: 1A	REV No: B	PART No: 6312201
#2065A HEATER PANEL & FRAME ASSEMBLY							CAD No: 6312201

NOTE: THIS DRAWING AND THE INFORMATION CONTAINED THEREIN IS THE CONFIDENTIAL AND PROPRIETARY PROPERTY OF McElroy Manufacturing, Inc. THE DRAWING IS NOT TO BE REPRODUCED IN ANY MANNER, SUBMITTED OUTSIDE PARTIES FOR EXAMINATION, OR USED DIRECTLY OR INDIRECTLY FOR THE PURPOSES OTHER THAN THOSE FOR WHICH IT WAS FURNISHED WITHOUT WRITTEN PERMISSION OF McElroy Manufacturing, Inc.



UNLESS NOTED OTHERWISE: (3) PLC. DIM'S .XXX = ±0.005" (2) PLC. DIM'S .XX = ±0.010" FRACTIONAL DIM'S = ±1/32" ANGULAR DIM'S = ±1/4" REMOVE ALL BURRS BREAK ALL SHARP EDGES STAMP OR ETCH P/N ON ALL DETAIL PARTS

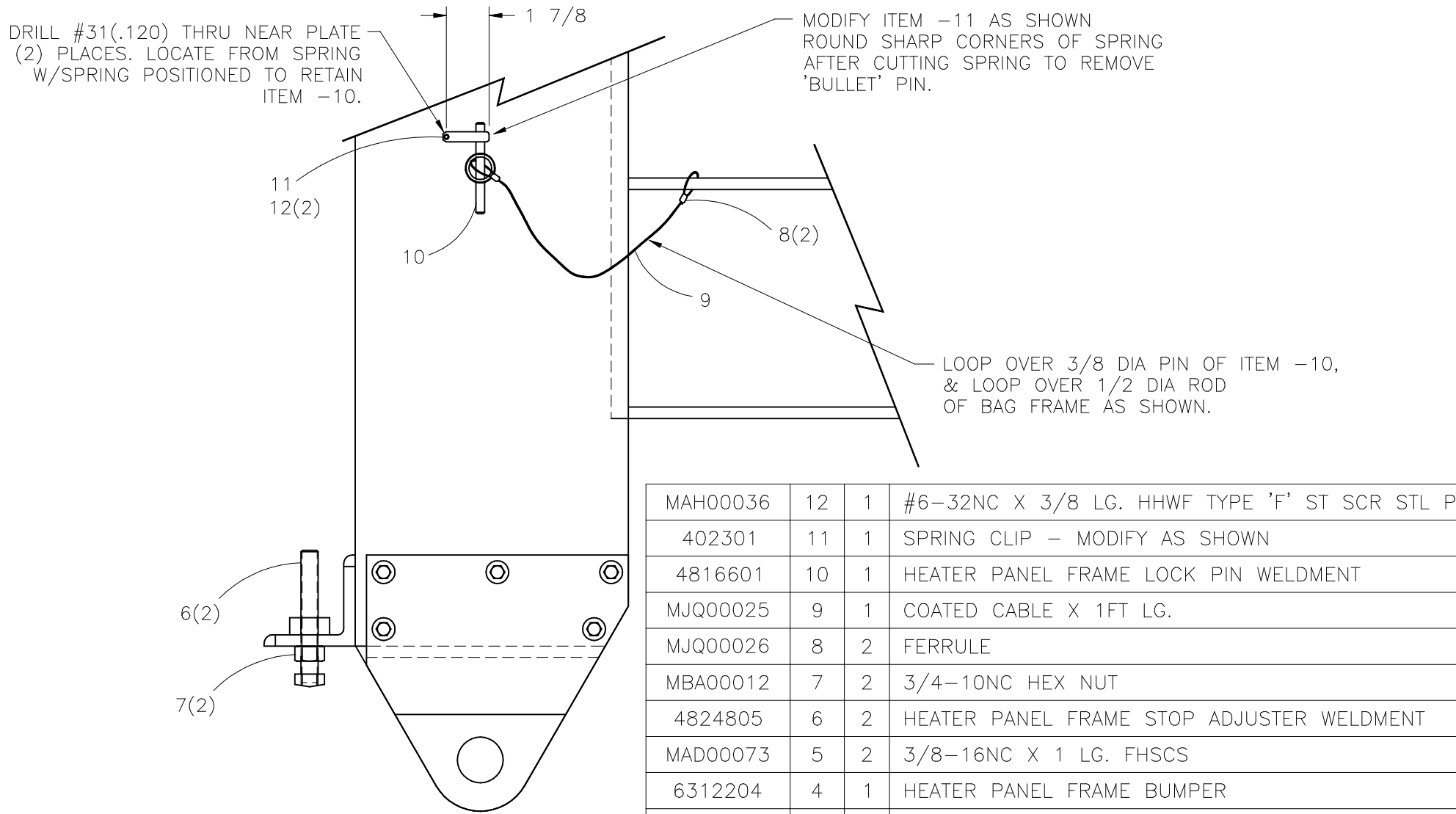
MMI NUMBER	ITEM	QTY.	SIZE AND DESCRIPTION



McElroy Manufacturing, Inc.
 The leader by design.
 Tulsa, Oklahoma U.S.A.

DRAWN: DJL	CHECK: BWP	APPRV'D: SWB	DATE: 12/12/97	DWG No: 6312200	SHT No: 1B	REV No: B	PART No: 6312201
#2065A HEATER PANEL & FRAME ASSEMBLY							CAD No: 6312201

NOTE: THIS DRAWING AND THE INFORMATION CONTAINED THEREIN IS THE CONFIDENTIAL AND PROPRIETARY PROPERTY OF McElroy Manufacturing, Inc. THE DRAWING IS NOT TO BE REPRODUCED IN ANY MANNER, SUBMITTED OUTSIDE PARTIES FOR EXAMINATION, OR USED DIRECTLY OR INDIRECTLY FOR THE PURPOSES OTHER THAN THOSE FOR WHICH IT WAS FURNISHED WITHOUT WRITTEN PERMISSION OF McElroy Manufacturing, Inc.



VIEW **A-A**

MAH00036	12	1	#6-32NC X 3/8 LG. HHWF TYPE 'F' ST SCR STL PL.
402301	11	1	SPRING CLIP - MODIFY AS SHOWN
4816601	10	1	HEATER PANEL FRAME LOCK PIN WELDMENT
MJQ00025	9	1	COATED CABLE X 1FT LG.
MJQ00026	8	2	FERRULE
MBA00012	7	2	3/4-10NC HEX NUT
4824805	6	2	HEATER PANEL FRAME STOP ADJUSTER WELDMENT
MAD00073	5	2	3/8-16NC X 1 LG. FHSCS
6312204	4	1	HEATER PANEL FRAME BUMPER
6312303	3	1	LEFT HAND HEATER INSULATING PANEL
6312302	2	1	RIGHT HAND HEATER INSULATING PANEL
6312202	1	1	HEATER PANEL FRAME WELDMENT

UNLESS NOTED OTHERWISE: (3) PLC. DIM'S .XXX = ±0.005" ANGULAR DIM'S = ±1/4" STAMP OR ETCH P/N ON ALL DETAIL PARTS
 (2) PLC. DIM'S .XX = ±0.010" REMOVE ALL BURRS
 FRACTIONAL DIM'S = ±1/32" BREAK ALL SHARP EDGES

MMI NUMBER	ITEM	QTY.	SIZE AND DESCRIPTION
			ASSEMBLY

DRAWING REVISION HISTORY LISTING

PART NO: 6312201

DESCRIPTION: #2065A HEATER PANEL & FRAME ASSEMBLY

<u>APPR.</u>	<u>REV</u>	<u>DATE</u>	<u>BY</u>	<u>DESCRIPTION OF REVISION</u>
SWB	A	12/12/97	DJL	REDRAWN TO 'A' SIZE. MOVED MOUNTING HARDWARE TO HEATER PANEL FRAME WELDMENT 6312202. ADDED RH & LH HEATER INSULATING PANELS.
TLW	B	7/16/99	MRP	CHANGED QUANTITY OF ITEM #12 (MAH00036) FROM 2 TO 1 AND ALTERED DRAWING ACCORDINGLY.