



McElroy Manufacturing, Inc.

The leader by design.

Tulsa, Oklahoma U.S.A.

DRAWN: EAG

CHECK: BWP

APPRV'D: B

DATE: 1/10/96

DWG No: 6302500

SHT No: 5

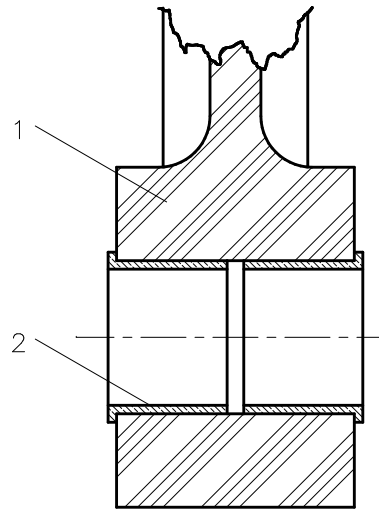
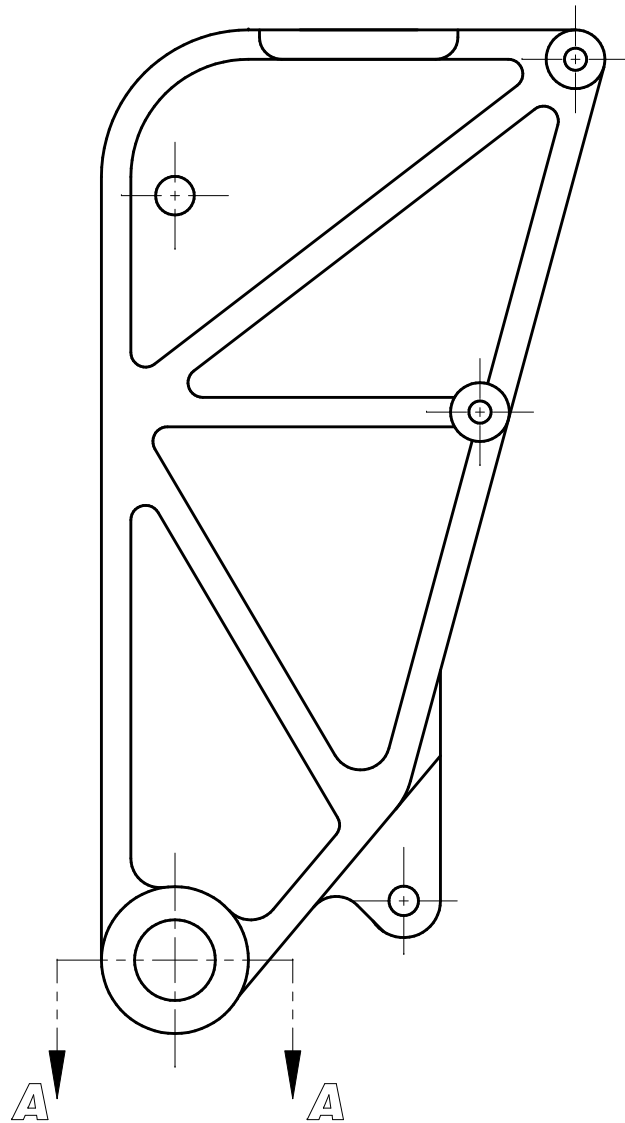
REV No: A

PART No: 6302503

#2065A FACER PIVOT ARM ASSEMBLY

CAD No: 6302503

NOTE: THIS DRAWING AND THE INFORMATION CONTAINED THEREIN IS THE CONFIDENTIAL AND PROPRIETARY PROPERTY OF McElroy Manufacturing, Inc. THE DRAWING IS NOT TO BE REPRODUCED IN ANY MANNER, SUBMITTED OUTSIDE PARTIES FOR EXAMINATION, OR USED DIRECTLY OR INDIRECTLY FOR THE PURPOSES OTHER THAN THOSE FOR WHICH IT WAS FURNISHED WITHOUT WRITTEN PERMISSION OF McElroy Manufacturing, Inc.



SECTION A-A

#2065A FACER PIVOT ARM ASSEMBLYParts List

ITEM	PART NO.	QTY.	DESCRIPTION
	6302503		ASSEMBLY
1	6302506	1	FACER PIVOT ARM
2	4807704	2	PIVOT ARM BUSHING
