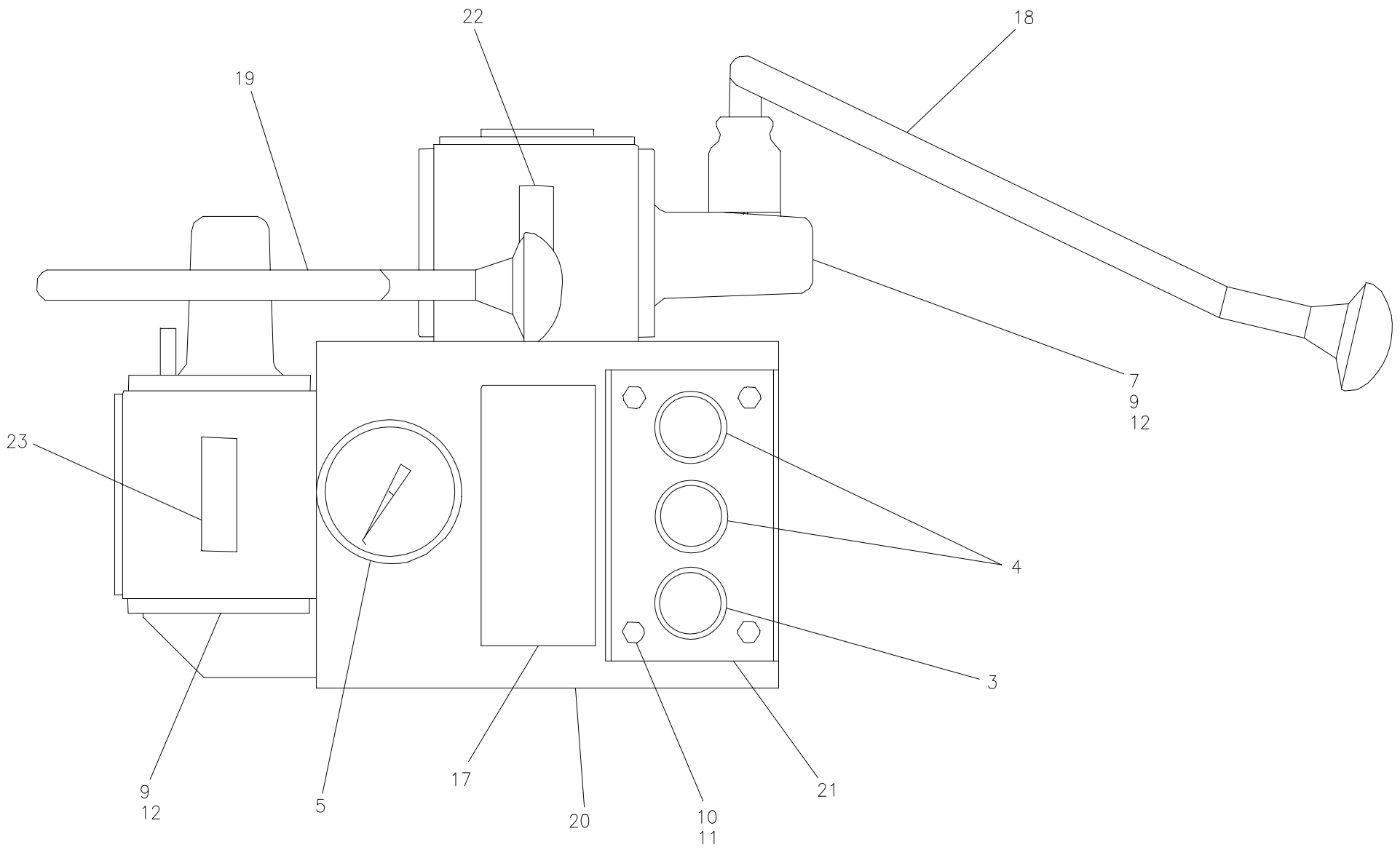




McElroy Manufacturing, Inc.
 The leader by design.
 Tulsa, Oklahoma U.S.A.

DRAWN: TLW	CHECK: BWP	APPR'D: B	DATE: 5/23/95	DWG No: 6300400	SHT No: 1	REV No: C	PART No: 6300401
#2065A HYDRAULIC MANIFOLD ASSEMBLY							CAD No: 6300401

NOTE: THIS DRAWING AND THE INFORMATION CONTAINED THEREIN IS THE CONFIDENTIAL AND PROPRIETARY PROPERTY OF McElroy Manufacturing, Inc. THE DRAWING IS NOT TO BE REPRODUCED IN ANY MANNER, SUBMITTED OUTSIDE PARTIES FOR EXAMINATION, OR USED DIRECTLY OR INDIRECTLY FOR THE PURPOSES OTHER THAN THOSE FOR WHICH IT WAS FURNISHED WITHOUT WRITTEN PERMISSION OF McElroy Manufacturing, Inc.



#2065 HYDRAULIC MANIFOLD ASSEMBLY

PARTS LIST

ITEM	PART NO.	QTY	DESCRIPTION
	6300401		ASSEMBLY
1			
2			
3	MEG00004	1	REDUCING VALVE
4	MEG00003	2	REDUCING VALVE
5	MEE00003	1	PRESSURE GAUGE
6			
7	MJE00014	1	SPRING
8			
9	MAC00057	8	1/4-20 NC X 1-1/2" LG. SHCS
10	MAB00002	4	1/4-20 NC X 1/2" LG. HHCS
11	MBE00005	4	1/4" LOCK WASHER
12	MBE00020	8	1/4" 'HI-COLLAR' LOCK WASHER
17	6308301	1	LABEL
18	6310301	1	CARRIAGE DIRECTIONAL CONTROL VALVE MOD.
19	6310302	1	PRESSURE SELECT VALVE MOD.
20	3611205	1	MANIFOLD BLOCK W/PLUGS
21	3611401	1	PRESSURE REDUCING VALVE GUARD
22	816304	1	CARRIAGE VALVE LABEL
23	816308	1	SELECTOR VALVE LABEL

DRAWING REVISION HISTORY LISTING

PART NO: 6300401

DESCRIPTION: #2065A HYDRAULIC MANIFOLD ASSEMBLY

<u>APPR.</u>	<u>REV</u>	<u>DATE</u>	<u>BY</u>	<u>DESCRIPTION OF REVISION</u>
B	A	5/23/95	TLW	Scanned & reduced to 'A' size format. Created typed parts list.
SWB	----	6/15/99	MLM	ITEM 20 WAS A3611202, CHANGED TO 3611205. (MANIFOLD BLOCK W/PLUGS) TO AVOID BEING FURNISHED WITHOUT PLUGS.
TLW	B	2/22/00	BWW	REMOVED ITEMS 1 & 2. VALVES ARE NOW INCLUDED IN ITEMS 18 & 19 VALVE MODIFICATIONS AND ALSO REMOVED REF. CALLOUT OF ITEM 6 (KOENIG PLUGS) WHICH ARE PART OF MANIFOLD BLOCK.
SPA	C	09/27/05	JAB	REVISED TO REMOVE ITEM 8 (MAH00009), AND CHANGED QTY OF ITEM 17 (6308301) FROM 2 TO 1 TO MATCH AS BUILT.