

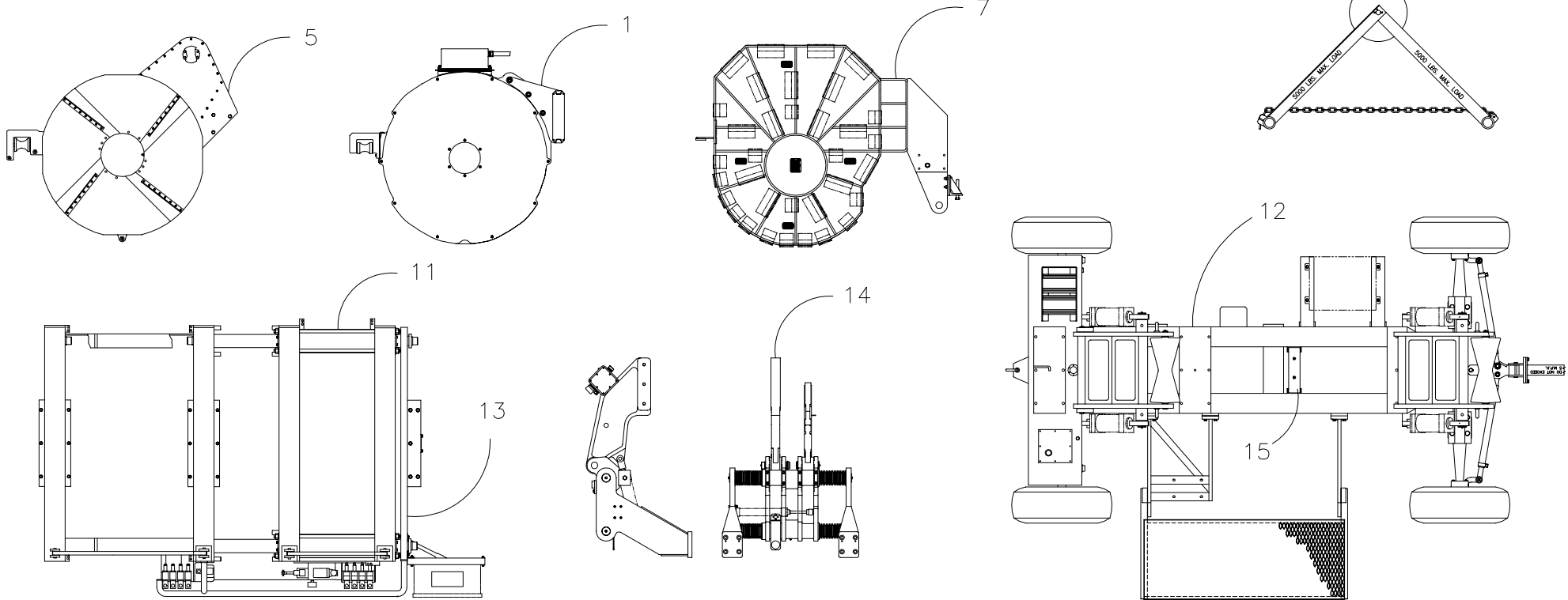


McElroy Manufacturing, Inc.
 The leader by design.
 Tulsa, Oklahoma U.S.A.

DRAWN: RLE	CHECK: TLW	APPRVD: SWB	DATE: 03/29/99	DWG No:	SHT No:	REV No: B	PART No:
CE #1648 FUSION MACHINE GROUPING FOR 4800800 ASSEMBLIES							CAD No: _ASSY48

NOTE: THIS DRAWING AND THE INFORMATION CONTAINED THEREIN IS THE CONFIDENTIAL AND PROPRIETARY PROPERTY OF McElroy Manufacturing, Inc. THE DRAWING IS NOT TO BE REPRODUCED IN ANY MANNER, SUBMITTED OUTSIDE PARTIES FOR EXAMINATION, OR USED DIRECTLY OR INDIRECTLY FOR THE PURPOSES OTHER THAN THOSE FOR WHICH IT WAS FURNISHED WITHOUT WRITTEN PERMISSION OF McElroy Manufacturing, Inc.

- 1 - 4800203 #1648 BUTT PLATE HEATER ASSEMBLY 220-240V, 50/60Hz, 3Ph
- 2 - 4800401 #1648 SPREADER BAR ASSEMBLY
- 3 - 4800601 #1648 HYDRAULIC SCHEMATIC (NOT SHOWN)
- 4 - 4800602 #1648 PLUMBING SCHEMATIC (NOT SHOWN)
- 5 - 4800701 #1648 FACER ASSEMBLY
- 6 - 4823901 #1648 PIPE STAND ASSEMBLY
- 7 - 4824808 #1648 HEATER PANEL & FRAME ASSEMBLY
- 8 - 4827702 CE #1648 CONTACTOR/FUSE BOX ASSEMBLY 220-240V, 50/60Hz, 3Ph (NOT SHOWN)
- 9 - 4827704 CE #1648 CONTROL BOX ASSEMBLY 220-240V, 50/60Hz, 3Ph (NOT SHOWN)
- 10 - 4827706 CE #1648 ELECTRICAL POWER ASSEMBLY 220-240V, 50/60Hz, 3Ph (NOT SHOWN)
- 11 - 4829001 HIGH FORCE CYLINDER ASSEMBLY SET (STD)
- 11 - 4829002 #1648 MEDIUM FORCE CYLINDER ASSEMBLY SET (HV)
- 12 - 4829101 #1648 ROLLING CHASSIS ASSEMBLY
- 13 - 4829201 #1648 JAW SET ASSEMBLY
- 14 - 4829301 #1648 INDEXING CARRIAGE ASSEMBLY
- 15 - 4831001 #1648 HEATER SUPPORT BLOCK ASSEMBLY



DRAWING REVISION HISTORY LISTING

PART NO: _ASSY48

DESCRIPTION: CE #1648 FUSION MACHINE GROUPING FOR 4800800 ASSEMBLIES

<u>APPR.</u>	<u>REV</u>	<u>DATE</u>	<u>BY</u>	<u>DESCRIPTION OF REVISION</u>
TLW	A	9/19/00	BWW	REMOVED 4827703 & 4827705 - 220V, 50Hz, 3Ph, REPLACED BY 4827704 & 4827706 (RESPECTIVELY) 220-240V, 50/60Hz, 3Ph DUE TO CHANGING TO A MULTI-RANGE HOUR METER. SEE PCR 99037.
LAA	B	7/31/02	ALK	ADDED ITEM #15 4831001 #1648 HEATER SUPPORT BLOCK ASSEMBLY.