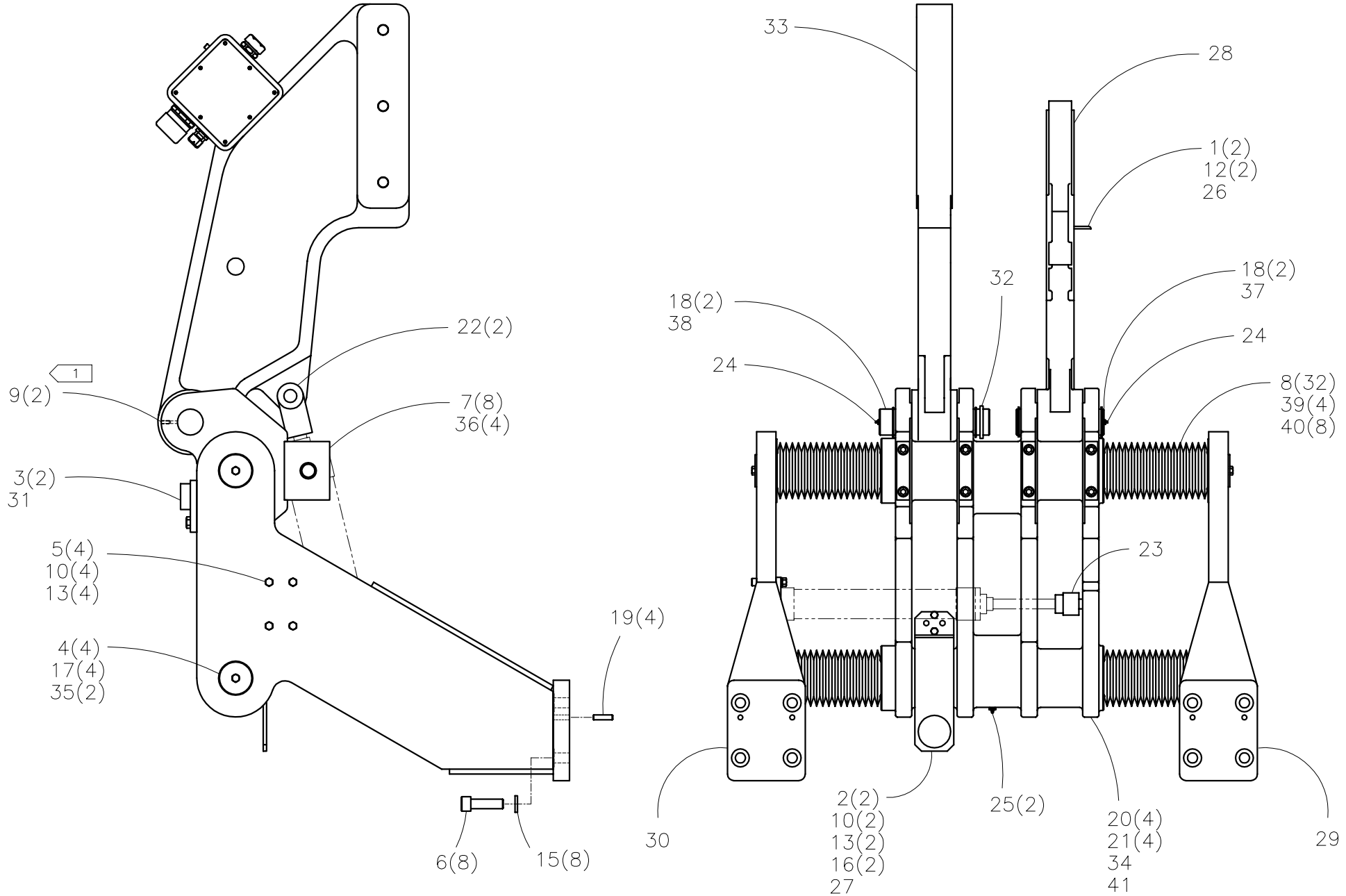




**McElroy Manufacturing, Inc.**  
 The leader by design.  
 Tulsa, Oklahoma U.S.A.

|                                  |            |              |                |                 |           |           |                  |
|----------------------------------|------------|--------------|----------------|-----------------|-----------|-----------|------------------|
| DRAWN: RLE                       | CHECK: TLW | APPRV'D: SWB | DATE: 03/25/99 | DWG No: 4829300 | SHT No: 1 | REV No: B | PART No: 4829301 |
| #1648 INDEXING CARRIAGE ASSEMBLY |            |              |                |                 |           |           | CAD No: 4829301  |

NOTE: THIS DRAWING AND THE INFORMATION CONTAINED THEREIN IS THE CONFIDENTIAL AND PROPRIETARY PROPERTY OF McElroy Manufacturing, Inc. THE DRAWING IS NOT TO BE REPRODUCED IN ANY MANNER, SUBMITTED OUTSIDE PARTIES FOR EXAMINATION, OR USED DIRECTLY OR INDIRECTLY FOR THE PURPOSES OTHER THAN THOSE FOR WHICH IT WAS FURNISHED WITHOUT WRITTEN PERMISSION OF McElroy Manufacturing, Inc.



**#1648 INDEXING CARRIAGE ASSEMBLY**Parts List

| ITEM | PART NO.       | QTY. | DESCRIPTION                              |
|------|----------------|------|--|
|      | <b>4829301</b> |      | <b>ASSEMBLY</b>                          |
| 1    | MAB00003       | 2    | 1/4-20NC x 3/4 LG. HHCS                  |
| 2    | MAB00034       | 2    | 5/16-18NC x 1-1/4 LG. HHCS               |
| 3    | MAB00081       | 2    | 1/2-13NC x 1-1/4 LG. HHCS                |
| 4    | MAB00077       | 4    | 3/8-16NC x 1" LG. HHCS                   |
| 5    | MAB00038       | 4    | 5/16-18NC x 2-1/4 LG. HHCS               |
| 6    | MAC00186       | 8    | 3/4-10NC x 2-1/2 LG. SHCS                |
| 7    | MAC00389       | 8    | 1/2-20NF x 3-1/2 LG. SHCS                |
| 8    | MAE00009       | 32   | #6-32NC x 3/8 LG. BHSCS                  |
| 9    | MAG00011       | 2    | 1/4-20NC x 3/4 LG. CONE POINT SET SCREW  |
| 10   | MBA00006       | 6    | 5/16-18NC HEX NUT                        |
| 11   |                |      |  |
| 12   | MBE00005       | 2    | 1/4" LOCK WASHER                         |
| 13   | MBE00006       | 6    | 5/16" LOCK WASHER                        |
| 14   |                |      |  |
| 15   | MBE00012       | 8    | 3/4" LOCK WASHER                         |
| 16   | MBF00006       | 2    | 5/16" FLAT WASHER                        |
| 17   | MBG00064       | 4    | 3/8" SPECIAL FLAT WASHER                 |
| 18   | MCB00012       | 4    | EXTERNAL SNAP RING                       |
| 19   | MCI00012       | 4    | 3/8 DIA. x 1-1/4 LG. DOWEL PIN           |
| 20   | MDL00047       | 4    | SEAL                                     |
| 21   | MDM00037       | 4    | LINEAR BALL BEARING                      |
| 22   | MEK00012       | 2    | ROD CLEVIS W/PIN                         |
| 23   | MEK00018       | 1    | COUPLER/ALIGNER                          |
| 24   | MFJ00001       | 2    | 1/4-28NF GREASE ZERK                     |
| 25   | MFJ00002       | 2    | 1/8NPT GREASE ZERK                       |
| 26   | 3613401        | 1    | BULKHEAD CLIP                            |
| 27   | 3611302        | 1    | ELECTRICAL CABLE MOUNTING BRACKET        |
| 28   | 4807702        | 1    | FACER PIVOT ARM ASSEMBLY                 |
| 29   | 4810303        | 1    | FACER & HEATER FORWARD SUPPORT           |
| 30   | 4810304        | 1    | FACER & HEATER AFT SUPPORT               |
| 31   | 4824901        | 1    | HEATER PANEL FRAME STOP BRACKET          |
| 32   | 4825201        | 1    | HEATER PANEL FRAME SPACER                |
| 33   | 4825601        | 1    | HEATER PIVOT ARM & JUNCTION BOX ASSEMBLY |
| 34   | 6302004        | 1    | HEATER & FACER INDEXING CARRIAGE         |
| 35   | 6306102        | 2    | INDEXING CARRIAGE GUIDE ROD              |
| 36   | 6307401        | 4    | TRUNNION BLOCK ASSEMBLY                  |
| 37   | 6307501        | 1    | FACER PIVOT PIN                          |
| 38   | 6307502        | 1    | HEATER PIVOT PIN                         |

**#1648 INDEXING CARRIAGE ASSEMBLY**Parts List

| ITEM | PART NO. | QTY. | DESCRIPTION            |
|------|----------|------|------------------------|
| 39   | 6311301  | 4    | CARRIAGE ROD BOOT      |
| 40   | 6311302  | 8    | ROD BOOT BACK UP PLATE |
| 41   | MCA00002 | 4    | INTERNAL SNAP RING     |

**NOTES:**

1. INSTALL WITH LOCTITE 242.

## DRAWING REVISION HISTORY LISTING

**PART NO:** 4829301  
**DESCRIPTION:** #1648 INDEXING CARRIAGE ASSEMBLY

| <u>APPR.</u> | <u>REV</u> | <u>DATE</u> | <u>BY</u> | <u>DESCRIPTION OF REVISION</u>  |
|--------------|------------|-------------|-----------|---|
| SWB          | A          | 09/10/01    | RLE       | REVISED MAC00099 TO MAB00038, MBA00006 QTY. FROM (2) TO (6), MBE00006 QTY. FROM (2) TO (6), DELETED MBA00007 QTY. (4) & DELETED MBE00007 QTY. (4), CHANGED TO AGREE WITH SHOP PRACTICE. ADDED MCA00002 QTY. (4) THIS SNAP RING WAS LEFT OFF WHEN DRAWING WAS ORIGINALLY MADE. |
| SWB          | B          | 01/11/05    | BWW       | ADDED NOTE 1 TO LOCTITE AT ASSEMBLY TO MATCH AS BUILT CONDITION.  |