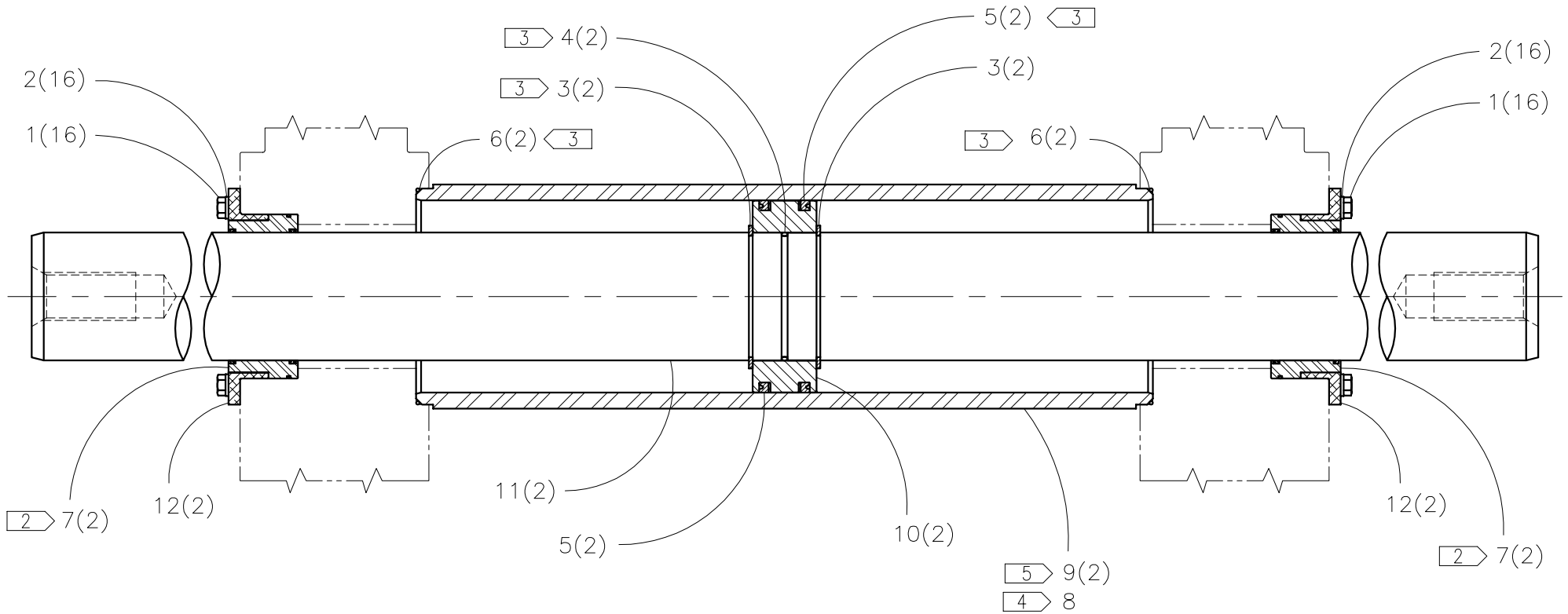




McElroy Manufacturing, Inc.
The leader by design.
Tulsa, Oklahoma U.S.A.

DRAWN: RLE	CHECK: TLW	APPRV'D: SWB	DATE: 03/03/99	DWG No: 4829000	SHT No: 1	REV No:	PART No: 4829001
HIGH FORCE CYLINDER ASSEMBLY SET (STD)							CAD No: 4829001

NOTE: THIS DRAWING AND THE INFORMATION CONTAINED THEREIN IS THE CONFIDENTIAL AND PROPRIETARY PROPERTY OF McElroy Manufacturing, Inc. THE DRAWING IS NOT TO BE REPRODUCED IN ANY MANNER, SUBMITTED OUTSIDE PARTIES FOR EXAMINATION, OR USED DIRECTLY OR INDIRECTLY FOR THE PURPOSES OTHER THAN THOSE FOR WHICH IT WAS FURNISHED WITHOUT WRITTEN PERMISSION OF McElroy Manufacturing, Inc.



HIGH FORCE CYLINDER ASSEMBLY SETParts List

ITEM	PART NO.	QTY.	DESCRIPTION
	4829001		ASSEMBLY
1	MAB00064	32	3/8-16NC x 1" LG. HHCS
2	MBE00007	32	3/8 LOCK WASHER
3	MCB00019	4	EXTERNAL SNAP RING
4	MDL00011	2	O-RING
5	MDL00059	4	SEAL
6	MDL00060	4	O-RING
7	MEK00011	4	ROD CARTRIDGE W/SEALS
8	816347	1	31.42 SQ IN TEPA LABEL
9	4802001	2	HIGH FORCE CARRIAGE CYLINDER
10	4802101	2	HIGH FORCE PISTON
11	4802201	2	GUIDE ROD
12	4802301	4	JAW BUSHING RETAINER

NOTES:

1. TOTAL EFFECTIVE PISTON AREA = 31.42 SQ. IN.
2. ITEM #7 INCLUDES SEALS.
3. ITEMS ARE INCLUDED IN SEAL KIT #A4824201.
4. ITEM #8 IS LOCATED ON OPERATOR SIDE OF CYLINDER ONLY.
5. COLOR CODED "GREEN".