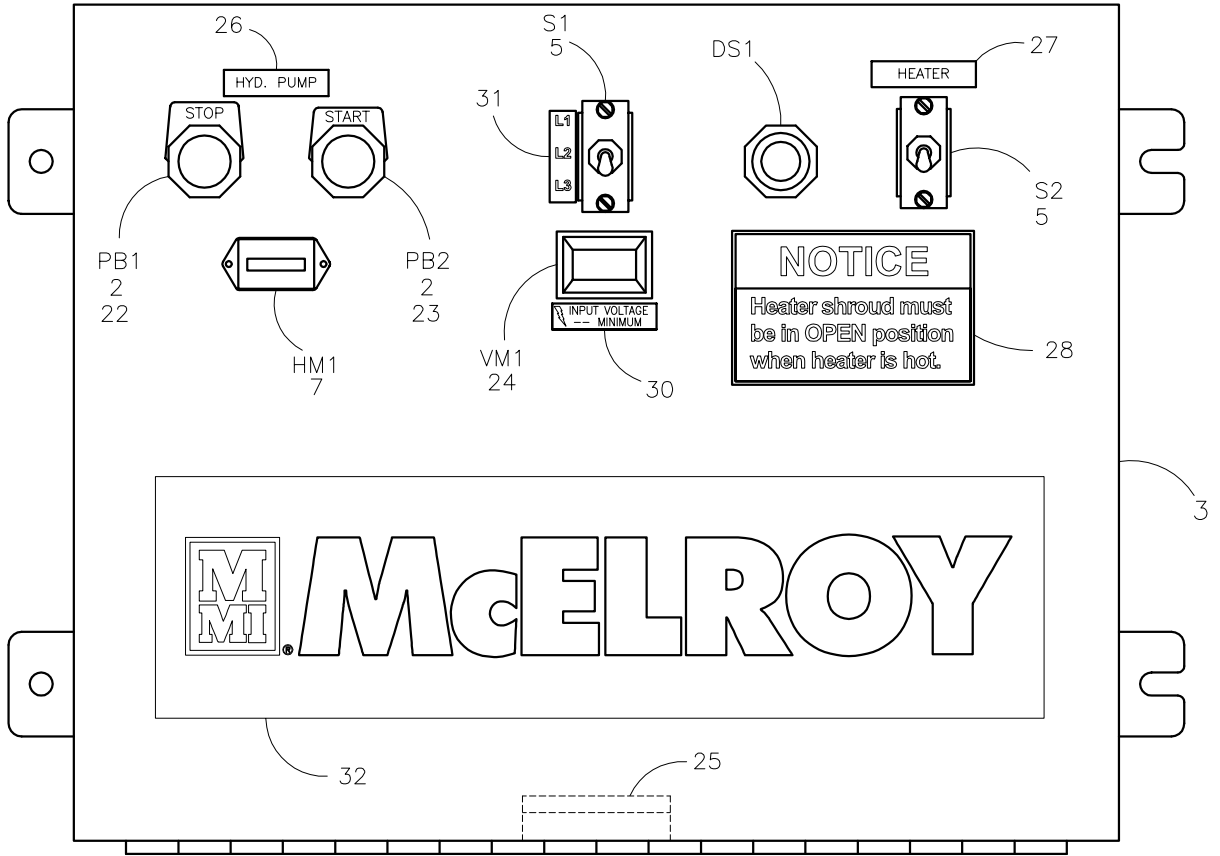
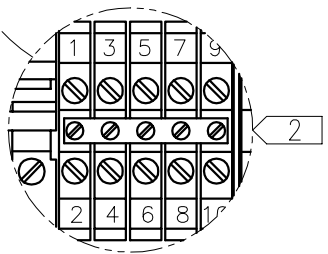
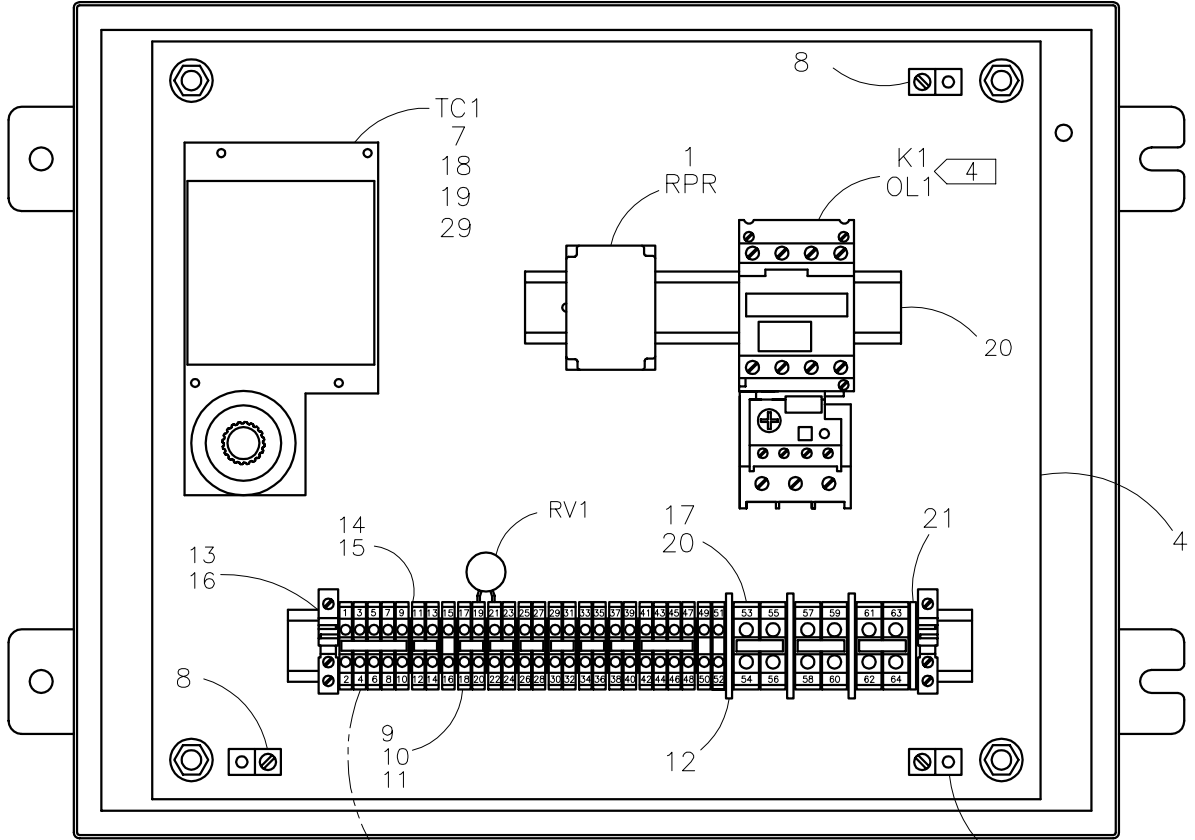


CE #1648A CONTROL BOX ASSEMBLY 220-240V, 50/60Hz, 3Ph

NOTE: THIS DRAWING AND THE INFORMATION CONTAINED THEREIN IS THE CONFIDENTIAL AND PROPRIETARY PROPERTY OF McElroy Manufacturing, Inc. THE DRAWING IS NOT TO BE REPRODUCED IN ANY MANNER, SUBMITTED OUTSIDE PARTIES FOR EXAMINATION, OR USED DIRECTLY OR INDIRECTLY FOR THE PURPOSES OTHER THAN THOSE FOR WHICH IT WAS FURNISHED WITHOUT WRITTEN PERMISSION OF McElroy Manufacturing, Inc.



**CE #1648A CONTROL BOX ASSEMBLY
220-240V, 50/60Hz, 3Ph**

Parts List

ITEM	PART NO.	QTY.	DESCRIPTION
	4827704		ASSEMBLY
DS1	MLN00019	1	PILOT LIGHT
HM1	MKH00005	1	HOUR METER
K1	MKJ00005	1	32A, 240V, 50/60Hz CONTACTOR
OL1	MLV00014	1	30-38A OVERLOAD
PB1, PB2	MKC00001	2	PUSH BUTTON
RPR	MKB00003	1	REVERSE PHASE RELAY
RV1	MQH00031	1	METAL OXIDE VARISTOR
S1	MKE00009	1	TOGGLE SWITCH
S2	MKE00006	1	TOGGLE SWITCH
TC1	841101	1	TEMPERATURE CONTROL MODIFICATION
VM1	MKH00080	1	DIGITAL VOLTMETER
1	MKB00082	1	RELAY SOCKET
2	MKC00002	2	CONTACT BLOCK
3	3600402	1	ELECTRICAL ENCLOSURE MOD.
4	MLA00009	1	PANEL
5	MLG00001	2	SWITCH GUARD
6	MLM00001	10	RING TERMINAL
7	MLM00017	6	QUICK-SLIDE CONNECTOR
8	MLM00037	3	SOLDERLESS GROUND LUG
9	MLM00051	26	TERMINAL
10	MLM00052	3	BRIDGE BAR
11	MLM00053	10	SEPARATING PLATE
12	MLM00054	3	PARTITION PLATE
13	MLM00056	2	END CLAMP
14	MLM00058	2	UN-PRINTED MARKERS
15	MLM00059	1	MARKING NUMBERS
16	MLM00061	2FT	STEEL DIN RAIL
17	MLM00068	6	TERMINAL
18	MLM00124	2	1/4" DISCONNECT, UN-INSULATED
19	MLM00146	2	1/4" DISCONNECT, #18-22
20	MLM00154	1	FIXED BRIDGE
21	MLM00155	1	END COVER
22	MLN00017	1	LEGEND PLATE "STOP"
23	MLN00018	1	LEGEND PLATE "START"
24	MLN00384	1	VOLTMETER BEZEL
25	2420002	1	DOOR HINGE BRACKET
26	3608306	1	HYDRAULIC PUMP LABEL
27	3608308	1	HEATER LABEL
28	3608313	1	HEATER SHROUD NOTICE LABEL

**CE #1648A CONTROL BOX ASSEMBLY
220-240V, 50/60Hz, 3Ph**

Parts List

ITEM	PART NO.	QTY.	DESCRIPTION
29	3620004	1	TEMP. CONTROLLER MTG BRACKET
30	816326	1	MINIMUM VOLTAGE LABEL
31	816328	1	VOLTMETER SWITCH LABEL
32	8163120	1	LARGE McELROY BRANDING LABEL

NOTES:

1. WIRE PER ELECTRICAL SCHEMATIC #4827701.
2. DESIGNATE TERMINALS IN THE MANNER SHOWN.
3. ITEM #6 IS NOT SHOWN.
4. FOR MACHINES MANUFACTURED PRIOR TO JULY 2004, ITEMS K1 AND OL1 MUST BE REPLACED SIMULTANEOUSLY.

DRAWING REVISION HISTORY LISTING

PART NO: 4827704
DESCRIPTION: CE #1648A CONTROL BOX ASSEMBLY 220-240V, 50/60Hz, 3Ph

<u>APPR.</u>	<u>REV</u>	<u>DATE</u>	<u>BY</u>	<u>DESCRIPTION OF REVISION</u>
RAD	A	6/14/99	AH	REVISED ITEM #7(MLM00017) QTY 7 TO 4. THIS WAS DONE DUE TO CHANGES TO 841101 TEMP. CONTROL MOD.
TLW	----	10/1/99	MLM	REVISED ITEM #3 MLA00002 TO 3600402 ELECTRICAL BOX MODIFICATION TO MOUNT LITERATURE COMPARTMENT BOX WITH RIVETS.
TLW	B	2/25/00	BWW	REVISED TO ADD ITEM 7 TO SHT. 4 AND CHANGE QTY. ON ITEM 6 RING TERMINAL FROM 12 TO 10 ALSO CHANGE ITEM 7 FROM QTY 4 TO 6 AND DESCRIPTION FROM 1/4" DISCONNECT, #14-16 TO QUICK-SLIDE CONNECTOR.
TLW	C	7/24/00	PB	REVISED DESCRIPTION TO 220-240V, 50/60Hz, 3Ph. THIS ASSEMBLY REPLACES 220V CONTROL BOX ASSEMBLY 4827703 WHICH IS OBSOLETE DUE TO MULTI-RANGE HOUR METER MKH00005 NOW BEING USED. SEE PCR 99037.
SWB	D	09/20/04	BWW	REVISED ITEM K1 FROM MKJ00002 TO MKJ00005 AND ITEM OL1 FROM MLV00004 TO MLV00014. ADDED NOTE 4 AND FLAG FOR ORDERING K1 AND OL1 REPLACEMENT PARTS.
SWB	E	01/11/05	RLE	ADDED ITEM #32 8163120 QTY. (1) LARGE BRANDING LABEL.

DRAWING REVISION HISTORY LISTING

PART NO: 4827701

DESCRIPTION: CE #1648A ELECTRICAL SCHEMATIC 220-240V, 50/60Hz, 3Ph

<u>APPR.</u>	<u>REV</u>	<u>DATE</u>	<u>BY</u>	<u>DESCRIPTION OF REVISION</u>
TLW	A	7/24/00	PB	REVISED BY CORRECTING A-1, C-1 & A-3, C-3 CONNECTIONS IN POWER DISTRIBUTION BLOCK.