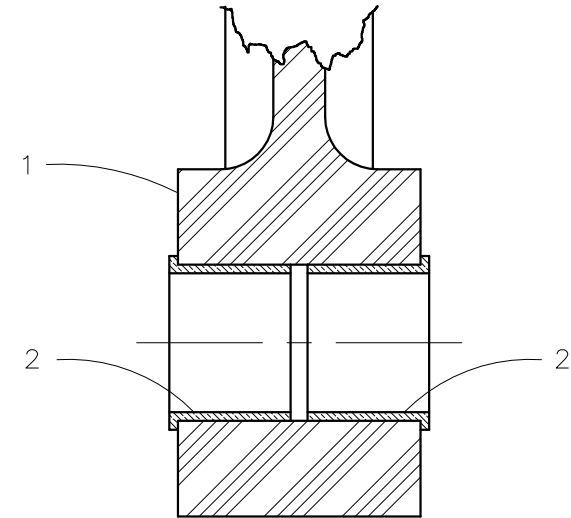
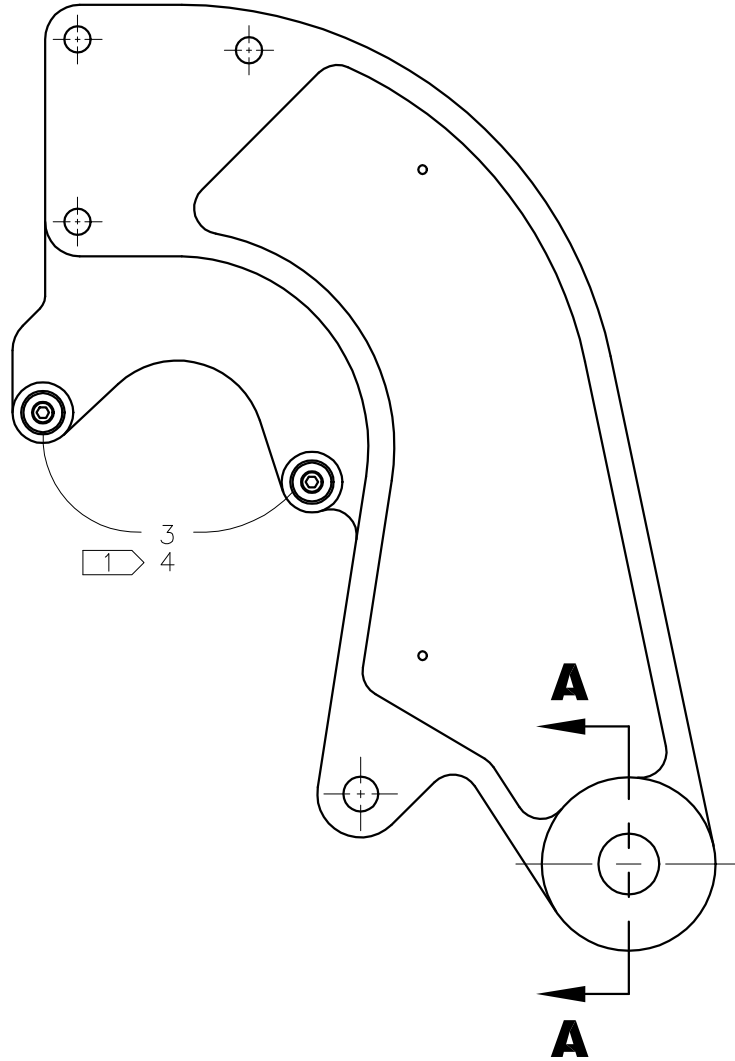




McElroy Manufacturing, Inc.
The leader by design.
Tulsa, Oklahoma U.S.A.

DRAWN: EAG	CHECK: BWP	APPRV'D: B	DATE: 1/10/96	DWG No: 4807700	SHT No: 6	REV No: A	PART No: 4807702
#1648 FACER PIVOT ARM ASSEMBLY							CAD No: 4807702

NOTE: THIS DRAWING AND THE INFORMATION CONTAINED THEREIN IS THE CONFIDENTIAL AND PROPRIETARY PROPERTY OF McElroy Manufacturing, Inc. THE DRAWING IS NOT TO BE REPRODUCED IN ANY MANNER, SUBMITTED OUTSIDE PARTIES FOR EXAMINATION, OR USED DIRECTLY OR INDIRECTLY FOR THE PURPOSES OTHER THAN THOSE FOR WHICH IT WAS FURNISHED WITHOUT WRITTEN PERMISSION OF McElroy Manufacturing, Inc.



SECTION A-A

#1648 FACER PIVOT ARM ASSEMBLYParts List

ITEM	PART NO.	QTY.	DESCRIPTION
	4807702		ASSEMBLY
1	4807703	1	FACER PIVOT ARM
2	4807704	2	BUSHING MODIFICATION
3	3603625	4	REST BUTTON
4	MAC00100	4	3/8-16NC x 2-1/2 LG. SHCS

NOTES:

1. INSTALL WITH THREAD LOCKING COMPOUND.

DRAWING REVISION HISTORY LISTING

PART NO: 4807702

DESCRIPTION: #1648 FACER PIVOT ARM ASSEMBLY

<u>APPR.</u>	<u>REV</u>	<u>DATE</u>	<u>BY</u>	<u>DESCRIPTION OF REVISION</u>
SWB	A	07/25/01	RLE	MOVED ITEM #3 3603625 & ITEM #4 MAC00100 FROM 4800701#1648A FACER ASSEMBLY & ADDED NOTE #1.