

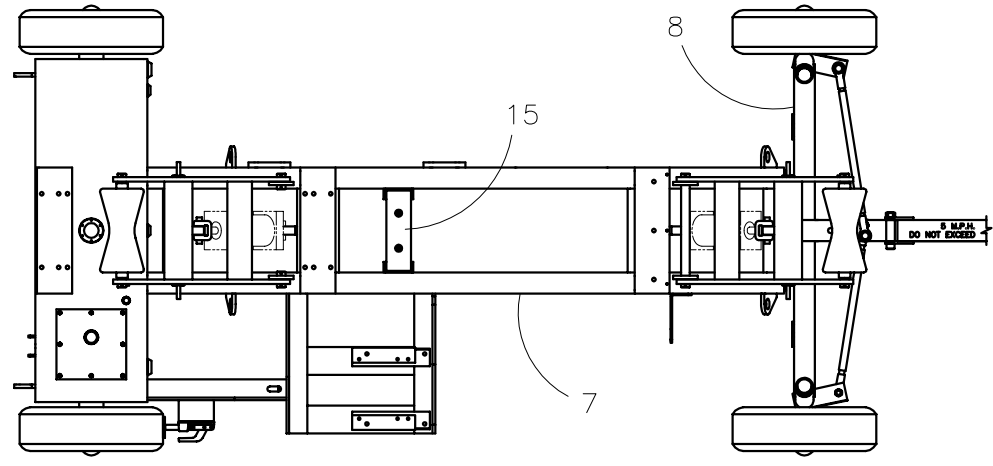
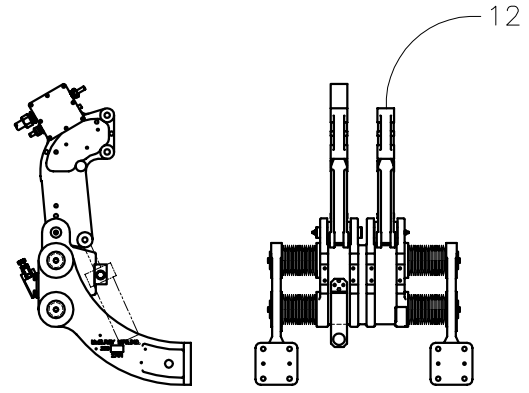
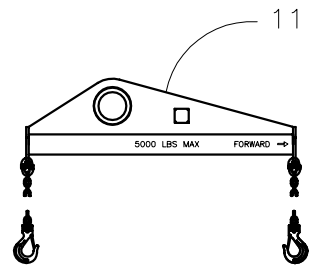
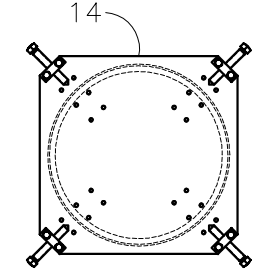
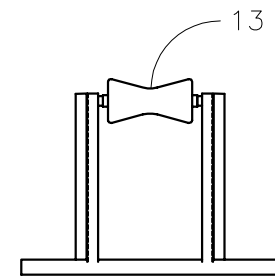
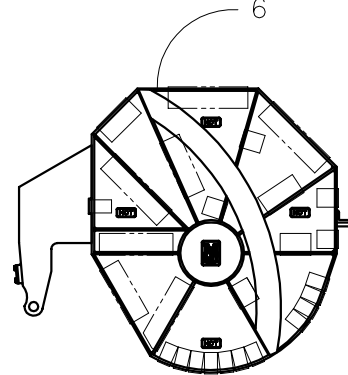
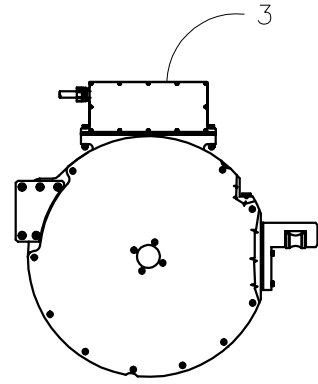
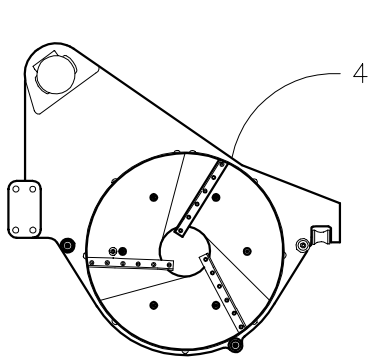
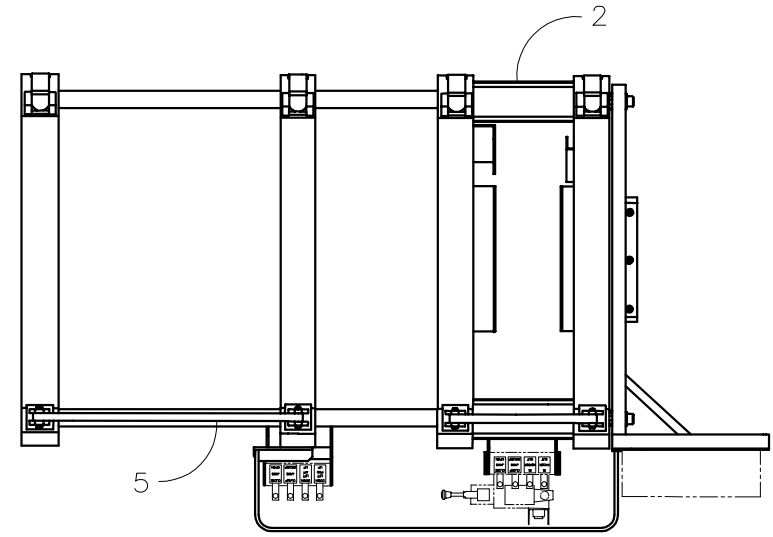


McElroy Manufacturing, Inc.
 The leader by design.
 Tulsa, Oklahoma U.S.A.

DRAWN: TGW	CHECK: TLW	APPR'VD: SWB	DATE: 10/20/98	DWG No:	SHT No:	REV No: E	PART No:
CE #1236 FUSION MACHINE GROUPING FOR 3600700 ASSEMBLIES							CAD No: _ASSY36

NOTE: THIS DRAWING AND THE INFORMATION CONTAINED THEREIN IS THE CONFIDENTIAL AND PROPRIETARY PROPERTY OF McElroy Manufacturing, Inc. THE DRAWING IS NOT TO BE REPRODUCED IN ANY MANNER, SUBMITTED TO OUTSIDE PARTIES FOR EXAMINATION, OR USED DIRECTLY OR INDIRECTLY FOR THE PURPOSES OTHER THAN THOSE FOR WHICH IT WAS FURNISHED WITHOUT WRITTEN PERMISSION OF McElroy Manufacturing, Inc.

- 1 - 3603014 CE #1236 ELECTRICAL POWER ASSEMBLY 220-240V, 50/60Hz, 3Ph (NOT SHOWN)
- 2 - 3630001 #824/#1236 LOW FORCE CYLINDER ASSEMBLY SET (XHV)
- 2 - 3630002 #824/#1236 MEDIUM FORCE CYLINDER ASSEMBLY SET (HV)
- 2 - 3630003 #824/#1236 HIGH FORCE CYLINDER ASSEMBLY SET (STD)
- 3 - 3617401 #1236 BUTT PLATE HEATER ASSEMBLY
- 4 - 3616301 #1236 FACER ASSEMBLY
- 5 - 3631401 #1236 JAW SET ASSEMBLY
- 6 - 3617001 #1236 HEATER PANEL & FRAME ASSEMBLY
- 7 - 3631301 #824/#1236 ROLLING CHASSIS ASSEMBLY
- 8 - 3631201 #824/#1236 FRONT AXLE ASSEMBLY
- 9 - 3600801 #1236 HYDRAULIC SCHEMATIC (NOT SHOWN)
- 10 - 3600802 #1236 PLUMBING SCHEMATIC (NOT SHOWN)
- 11 - 3618001 #824/#1236 SPREADER BAR ASSEMBLY
- 12 - 3631501 #1236 INDEXING CARRIAGE ASSEMBLY
- 13 - 2429101 #824/#1236 PIPE STAND ASSEMBLY
- 14 - 3606901 #1236 STUB END HOLDER ASSEMBLY
- 15 - 3632501 #1236 HEATER SUPPORT BLOCK ASSEMBLY



5 MPIL DO NOT EXCEED

DRAWING REVISION HISTORY LISTING

PART NO: _ASSY36

DESCRIPTION: #1236A FUSION MACHINE GROUPING FOR 3600700 ASSEMBLIES

<u>APPR.</u>	<u>REV</u>	<u>DATE</u>	<u>BY</u>	<u>DESCRIPTION OF REVISION</u>
TLW	A	01/07/98	TGW	DELETED ELECTRICAL POWER ASSEMBLY P/N's 3603002 - 220V, 50Hz, 3Ph 3603004 - 240V, 60Hz, 3Ph 3603007 - 415V, 50Hz, 3Ph 3603010 - 480V, 60Hz, 3Ph REPLACED WITH NEW CE ELECTRICAL POWER ASSEMBLY P/N's 3603016 - 220V, 50Hz, 3Ph 3603014 - 240V, 60Hz, 3Ph
TLW	B	03/02/99	MLM	ADDED ITEMS TO DWG. FOR NEW CD.
SWB	C	09/08/00	TLW	REMOVED 3603016 - 220V, 50Hz, 3Ph, REPLACED BY 3603014 220-240V, 50/60Hz, 3Ph DUE TO CHANGING TO A MULTI-RANGE HOUR METER. SEE PCR 99037.
TLW	D	04/26/01	BWW	REVISED TO ADD ITEM #14 3606901 #1236 STUB END HOLDER ASSEMBLY.
LAA	E	6/8/02	ALK	REVISED TO ADD ITEM 15 #1236 HEATER SUPPORT BLOCK ASSEMBLY