



McElroy Manufacturing, Inc.

The leader by design.

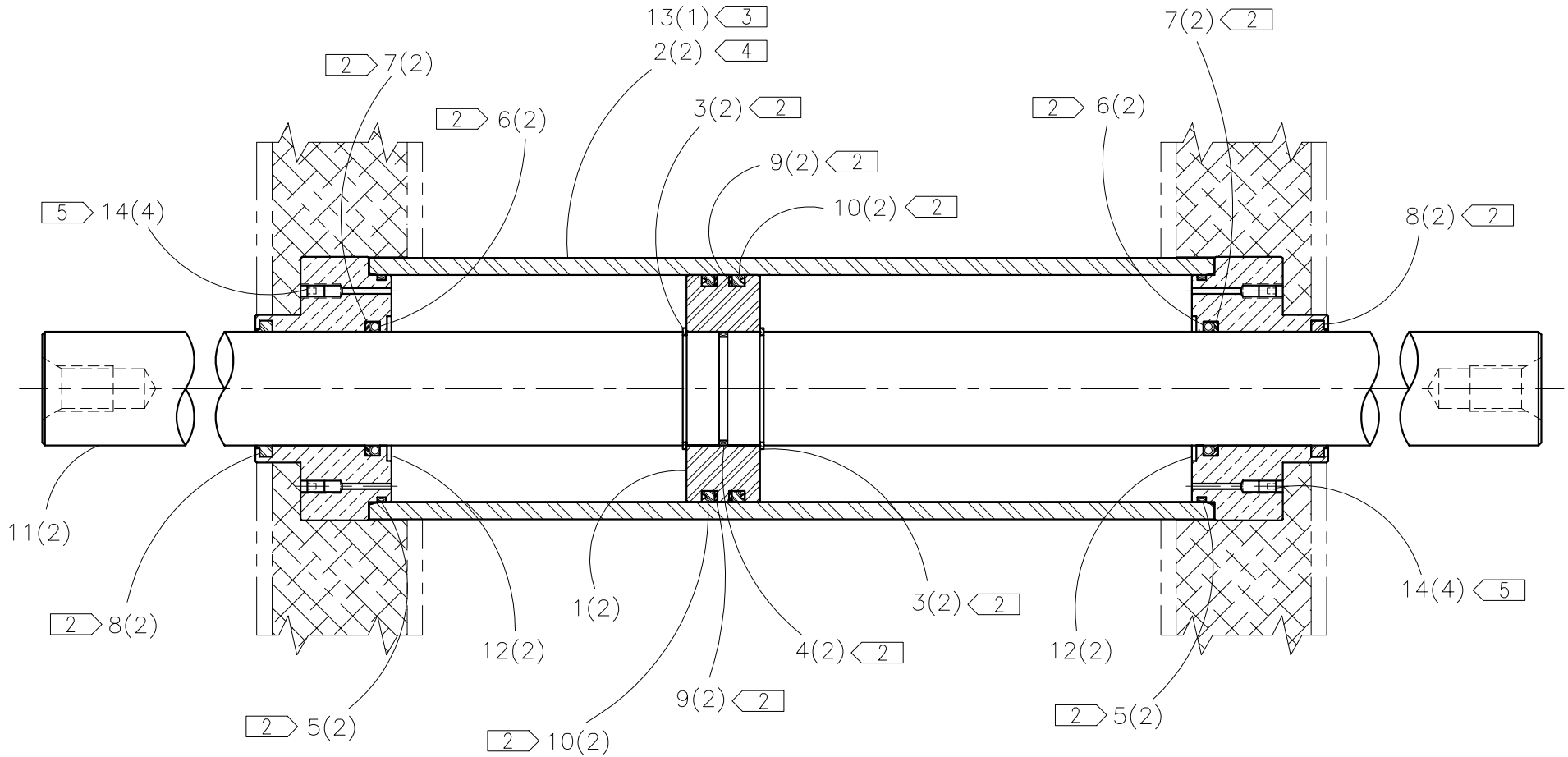
Tulsa, Oklahoma U.S.A.

DRAWN: TGW CHECK: BWP APPRV'D: SWB DATE: 3/3/98 DWG No: 3630000 SHT No: 3 REV No: A PART No: 3630003

#824A/#1236A HIGH FORCE CYLINDER ASSEMBLY SET

CAD No: 3630003

NOTE: THIS DRAWING AND THE INFORMATION CONTAINED THEREIN IS THE CONFIDENTIAL AND PROPRIETARY PROPERTY OF McElroy Manufacturing, Inc. THE DRAWING IS NOT TO BE REPRODUCED IN ANY MANNER, SUBMITTED TO OUTSIDE PARTIES FOR EXAMINATION, OR USED DIRECTLY OR INDIRECTLY FOR THE PURPOSES OTHER THAN THOSE FOR WHICH IT WAS FURNISHED WITHOUT WRITTEN PERMISSION OF McElroy Manufacturing, Inc.



#824A/#1236A HIGH FORCE CYLINDER ASSEMBLY SETParts List

ITEM	PART NO.	QTY.	DESCRIPTION
	3630003		ASSEMBLY
1	2410101	2	HIGH FORCE PISTON
2	2415802	2	HIGH FORCE CARRIAGE CYLINDER
3	MCB00015	4	EXT SNAP RING
4	MDL00007	2	O RING
5	MDL00019	4	O RING
6	MDL00036	4	SEAL
7	MDL00037	4	WASHER
8	MDL00038	4	SEAL
9	MDL00039	4	WASHER
10	MDL00040	4	SEAL
11	2409402	2	HYDRAULIC CYLINDER PISTON ROD
12	2413601	4	HYDRAULIC CYLINDER ROD GLAND
13	816314	1	29.44 SQ. IN. TEPA LABEL
14	MFA00001	8	1MPT PLUG

NOTES:

1. TOTAL EFFECTIVE PISTON AREA = 29.44 SQ. IN.
2. ITEMS ARE INCLUDED IN SEAL KIT #A2423001
3. ITEM 13 LOCATED ON OPERATOR SIDE CYLINDER ONLY.
4. COLOR CODED "GREEN"
5. INSTALL PLUGS TWO THREADS BELOW FLUSH.

DRAWING REVISION HISTORY LISTING

PART NO: 3630003

DESCRIPTION: #824A/#1236A HIGH FORCE CYLINDER ASSEMBLY SET

<u>APPR.</u>	<u>REV</u>	<u>DATE</u>	<u>BY</u>	<u>DESCRIPTION OF REVISION</u>
TLW	A	10/6/98	TGW	ADDED ITEM #14 1MPT PLUG (MFA00001) & NOTE 5.