



McElroy Manufacturing, Inc.

The leader by design.

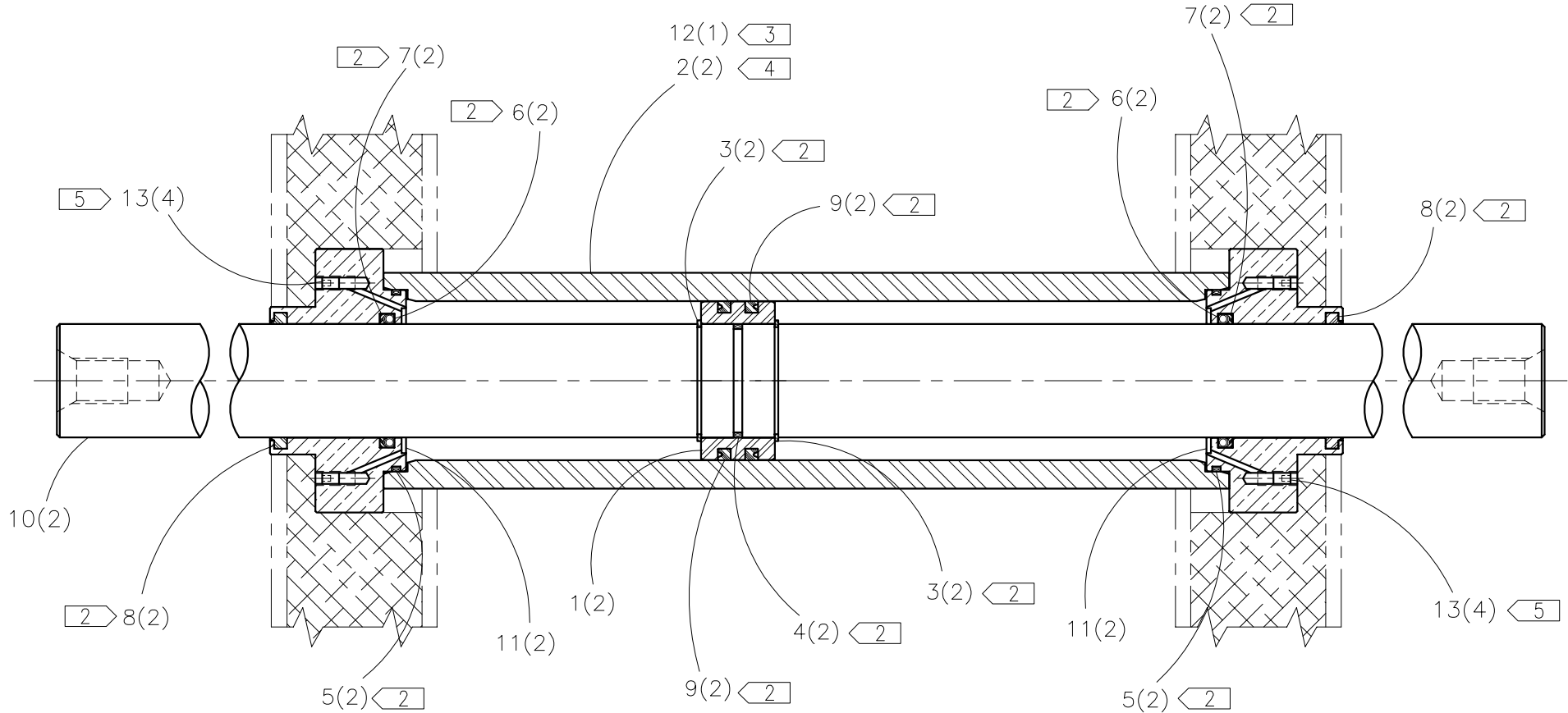
Tulsa, Oklahoma U.S.A.

DRAWN: TLW CHECK: TMT APPRV'D: JMC DATE: 3/5/97 DWG No: 3630000 SHT No: 1 REV No: B PART No: 3630001

#824A/#1236A LOW FORCE CYLINDER ASSEMBLY SET

CAD No: 3630001

NOTE: THIS DRAWING AND THE INFORMATION CONTAINED THEREIN IS THE CONFIDENTIAL AND PROPRIETARY PROPERTY OF McElroy Manufacturing, Inc. THE DRAWING IS NOT TO BE REPRODUCED IN ANY MANNER, SUBMITTED TO OUTSIDE PARTIES FOR EXAMINATION, OR USED DIRECTLY OR INDIRECTLY FOR THE PURPOSES OTHER THAN THOSE FOR WHICH IT WAS FURNISHED WITHOUT WRITTEN PERMISSION OF McElroy Manufacturing, Inc.



#824A/#1236A LOW FORCE CYLINDER ASSEMBLY SETParts List

ITEM	PART NO.	QTY.	DESCRIPTION
	3630001		ASSEMBLY
1	2419302	2	LOW FORCE PISTON
2	2419404	2	LOW FORCE CARRIAGE CYLINDER
3	MCB00015	4	EXT SNAP RING
4	MDL00007	2	O RING
5	MDL00011	4	O RING
6	MDL00036	4	SEAL
7	MDL00037	4	WASHER
8	MDL00038	4	SEAL
9	MDL00155	4	SEAL
10	2409402	2	HYDRAULIC CYLINDER PISTON ROD
11	2413602	4	HYDRAULIC CYLINDER ROD GLAND
12	816373	1	9.43 SQ. IN. TEPA LABEL
13	MFA00001	8	1MPT PLUG

NOTES:

1. TOTAL EFFECTIVE PISTON AREA = 9.43 SQ. IN.
2. ITEMS ARE INCLUDED IN SEAL KIT #A3630001
3. ITEM 12 LOCATED ON OPERATOR SIDE CYLINDER ONLY.
4. COLOR CODED "YELLOW"
5. INSTALL PLUGS TWO THREADS BELOW FLUSH.

DRAWING REVISION HISTORY LISTING

PART NO: 3630001

DESCRIPTION: #824A/#1236A LOW FORCE CYLINDER ASSEMBLY SET

<u>APPR.</u>	<u>REV</u>	<u>DATE</u>	<u>BY</u>	<u>DESCRIPTION OF REVISION</u>
SWB	A	3/3/98	TGW	DELETED TIE RODS (2413902), WASHERS (MBG00003) & NUTS (MBA00031). ADDED (816373) TEPA LABEL & NOTES 3 & 4.
TLW	B	10/7/98	TGW	ADDED ITEM #13 1MPT PLUG (MFA00001) & NOTE 5.