



**McElroy Manufacturing, Inc.**  
 The leader by design.  
 Tulsa, Oklahoma U.S.A.

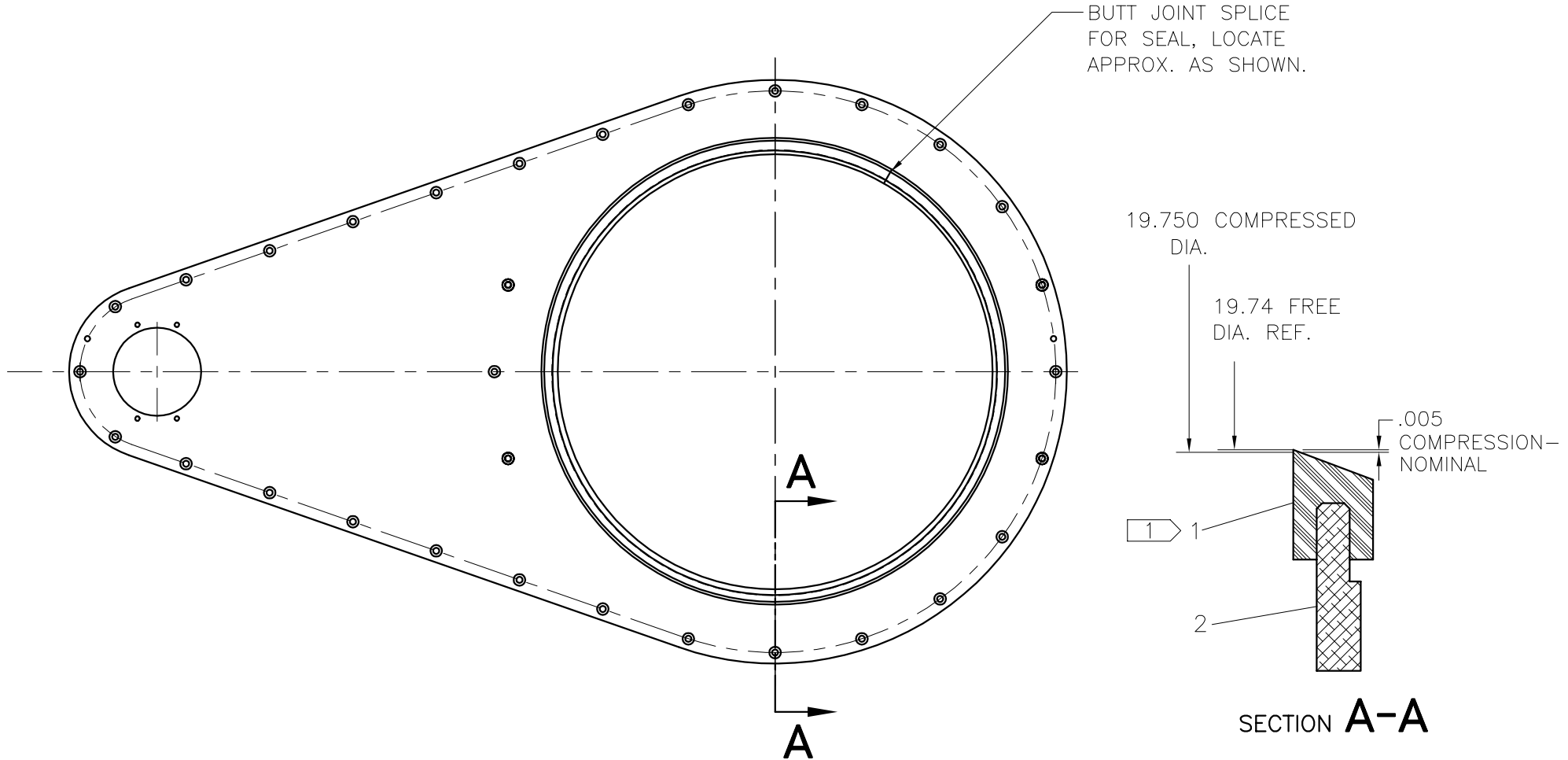
DRAWN: BB	CHECK: SWB	APPRV'D: B	DATE: 7/01/97	SHT No: 4	REV No: J	PART No: 3603604
-----------	------------	------------	---------------	-----------	-----------	------------------

FACER BODY COVER ASSEMBLY

NOTE: THIS DRAWING AND THE INFORMATION CONTAINED THEREIN IS THE CONFIDENTIAL AND PROPRIETARY PROPERTY OF McElroy Manufacturing, Inc. THE DRAWING IS NOT TO BE REPRODUCED IN ANY MANNER, SUBMITTED OUTSIDE PARTIES FOR EXAMINATION, OR USED DIRECTLY OR INDIRECTLY FOR THE PURPOSES OTHER THAN THOSE FOR WHICH IT WAS FURNISHED WITHOUT WRITTEN PERMISSION OF McElroy Manufacturing, Inc.

NOTES:

1. CUT LENGTH TO 64-3/8",  
 JOIN ENDS & BOND ITEM 1 TO ITEM 2  
 WITH EASTMAN #910 ADHESIVE OR EQUAL.



**FACER BODY COVER ASSEMBLY**Parts List

---

ITEM	PART NO.	QTY.	DESCRIPTION
	<b>3603604</b>		<b>ASSEMBLY</b>
1	3603605	1	FACER BODY COVER
2	MDL00070	1	BUNA 'N' SEAL

---

## DRAWING REVISION HISTORY LISTING

**PART NO:** 3603604  
**DESCRIPTION:** FACER BODY COVER ASSEMBLY

<u>APPR.</u>	<u>REV</u>	<u>DATE</u>	<u>BY</u>	<u>DESCRIPTION OF REVISION</u>
SWB	G	7/01/97	BB	REDRAWN TO 'A' SIZE FORMAT. MOVED 3603605 AND NOTE 2 & 3 TO SHT 13. COMBINED NOTES 1 & 4 INTO NOTE 1.
SWB	H	6/24/04	MLM	REMOVED PROPRIETARY INFORMATION FROM NOTE 1 TO ALLOW THIS DRAWING TO BE ACCESSABLE AS AN ASSEMBLY DRAWING.
SWB	J	10/05/05	BWW	REMOVED PARTS LIST FROM DRAWING FACE FOR PARTS FINDER PROJECT.