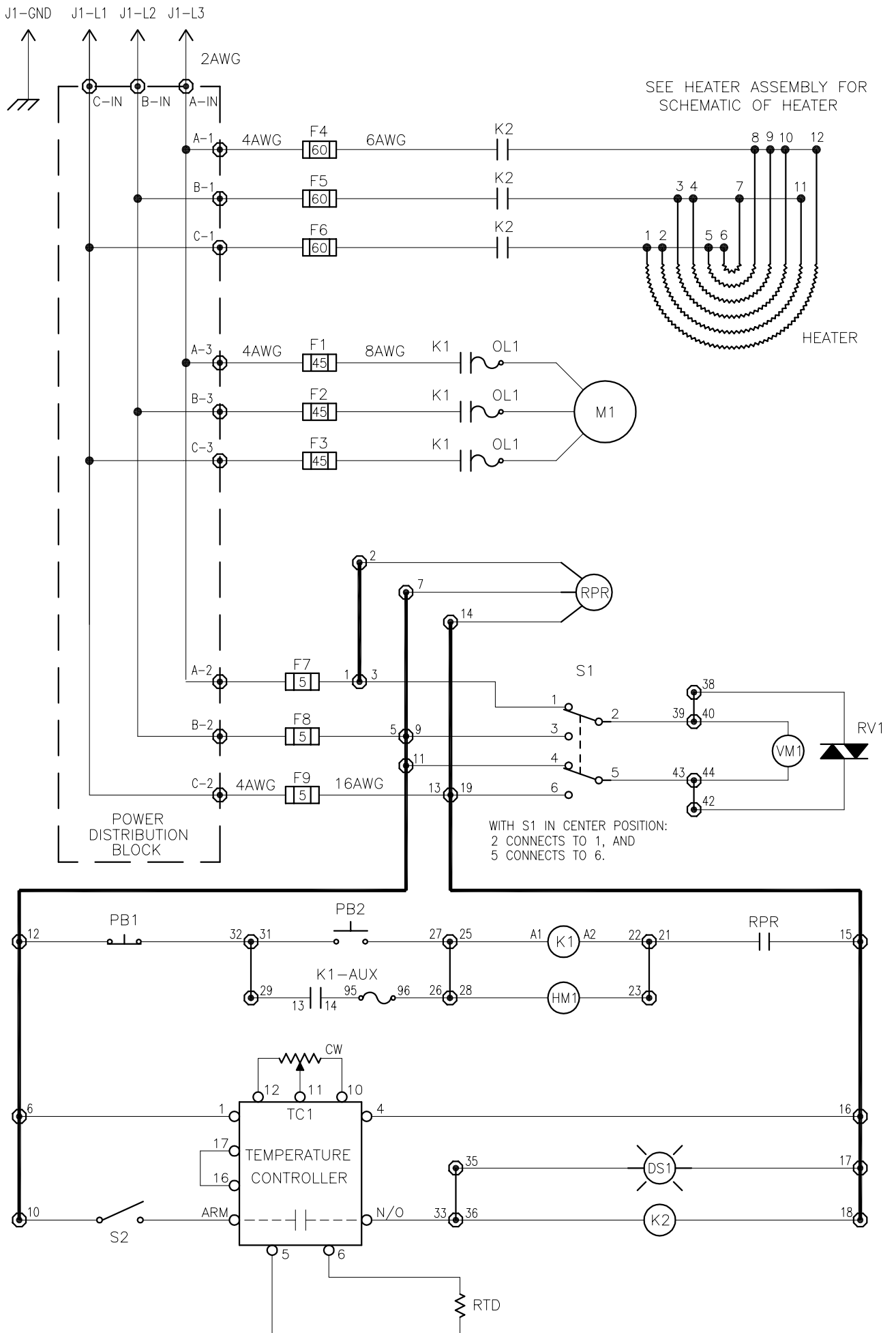


NOTE: THIS DRAWING AND THE INFORMATION CONTAINED THEREIN IS THE CONFIDENTIAL AND PROPRIETARY PROPERTY OF McElroy Manufacturing, Inc. THE DRAWING IS NOT TO BE REPRODUCED IN ANY MANNER, SUBMITTED OUTSIDE PARTIES FOR EXAMINATION, OR USED DIRECTLY OR INDIRECTLY FOR THE PURPOSES OTHER THAN THOSE FOR WHICH IT WAS FURNISHED WITHOUT WRITTEN PERMISSION OF McElroy Manufacturing, Inc.



## DRAWING REVISION HISTORY LISTING

**PART NO:** 3603012  
**DESCRIPTION:** CE #1236A ELECTRICAL SCHEMATIC 220- 240V, 50/ 60Hz, 3Ph

<u>APPR.</u>	<u>REV</u>	<u>DATE</u>	<u>BY</u>	<u>DESCRIPTION OF REVISION</u>
TLW	A	03/02/99	MLM	2AWG (REF. A-IN) WAS 4AWG, 6AWG WAS 8AWG, 8AWG WAS 10AWG.
TLW	B	07/24/00	PB	CORRECTED A1, G1, A3 & G3 CONNECTIONS IN THE POWER DISTRIBUTION BLOCK.
JRP	C	5/30/07	BEA	ADDED K1 TERMINAL NUMBERS TO FACILITATE ASSEMBLY.