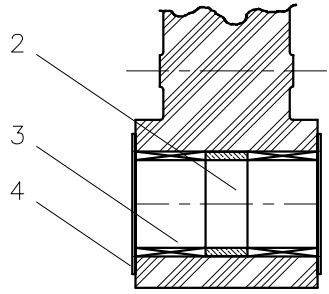




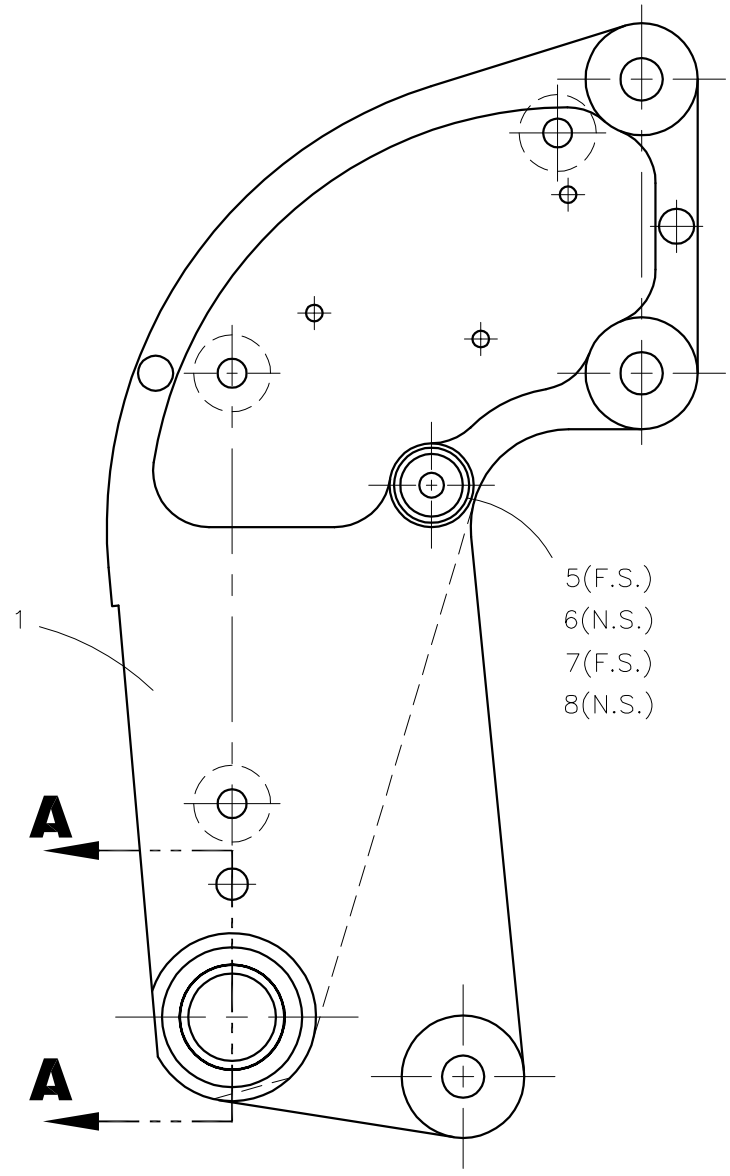
**McElroy Manufacturing, Inc.**  
The leader by design.  
Tulsa, Oklahoma U.S.A.

DRAWN: AH	CHECK: BWP	APPRV'D: B	DATE: 5/13/96	DWG No: 3602200	SHT No: 6	REV No: A	PART No: 3602203
#1236A FACER PIVOT ARM ASSEMBLY							CAD No: 3602203

NOTE: THIS DRAWING AND THE INFORMATION CONTAINED THEREIN IS THE CONFIDENTIAL AND PROPRIETARY PROPERTY OF McElroy Manufacturing, Inc. THE DRAWING IS NOT TO BE REPRODUCED IN ANY MANNER, SUBMITTED OUTSIDE PARTIES FOR EXAMINATION, OR USED DIRECTLY OR INDIRECTLY FOR THE PURPOSES OTHER THAN THOSE FOR WHICH IT WAS FURNISHED WITHOUT WRITTEN PERMISSION OF McElroy Manufacturing, Inc.



**SECTION A-A**



**#1236A FACER PIVOT ARM ASSEMBLY**Parts List

ITEM	PART NO.	QTY.	DESCRIPTION
	<b>3602203</b>		<b>ASSEMBLY</b>
1	3602202	1	FACER PIVOT ARM
2	3602207	1	PIVOT ARM INNER SPACER
3	MDM00074	2	NEEDLE BEARING
4	3602206	2	PIVOT ARM OUTER SPACER
5	MAC00100	1	3/8-16NC X 2 1/2 LG SHCS
6	MAC00102	1	3/8-16NC X 3 LG SHCS
7	3603625	1	FACER REST BUTTON
8	3603627	1	FACER REST BUTTON

**NOTES:**

1. N.S. = NEAR SIDE, F.S. = FAR SIDE.

## DRAWING REVISION HISTORY LISTING

**PART NO:** 3602203  
**DESCRIPTION:** #1236A FACER PIVOT ARM ASSEMBLY

<u>APPR.</u>	<u>REV</u>	<u>DATE</u>	<u>BY</u>	<u>DESCRIPTION OF REVISION</u>
SWB	A	01/03/03	BWW	ADDED ITEMS 5 THRU 8 REST BUTTONS AND BOLTS WHICH WERE MOVED FROM FACER ASSEMBLY 3616301 FOR PRODUCT STRUCTURE CONSISTENCY.