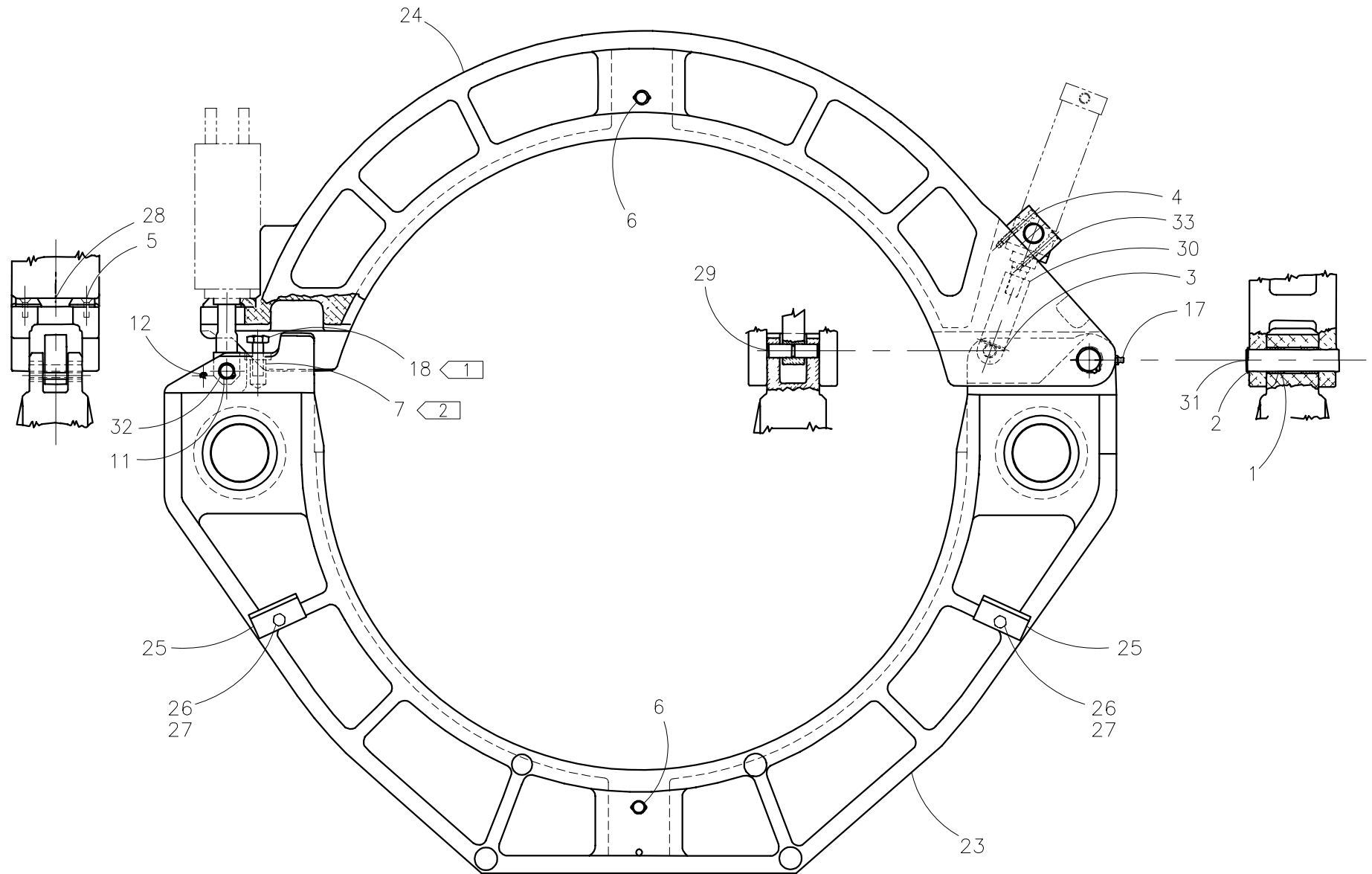




McElroy Manufacturing, Inc.
The leader by design.
Tulsa, Oklahoma U.S.A.

DRAWN: SS	CHECK: BWP	APPRV'D: B	DATE: 10/07/96	DWG No: 3601900	SHT No: 8	REV No: E	PART No: 3601904
#1236A OUTER FIXED JAW ASSEMBLY							CAD No: 3601904

NOTE: THIS DRAWING AND THE INFORMATION CONTAINED THEREIN IS THE CONFIDENTIAL AND PROPRIETARY PROPERTY OF McElroy Manufacturing, Inc. THE DRAWING IS NOT TO BE REPRODUCED IN ANY MANNER, SUBMITTED TO OUTSIDE PARTIES FOR EXAMINATION, OR USED DIRECTLY OR INDIRECTLY FOR THE PURPOSES OTHER THAN THOSE FOR WHICH IT WAS FURNISHED WITHOUT WRITTEN PERMISSION OF McElroy Manufacturing, Inc.



#1236A OUTER FIXED JAW ASSEMBLYPARTS LIST

ITEM	PART NO.	QTY	DESCRIPTION
	3601904		ASSEMBLY
1	MDM00005	2	BUSHING
2	MCB00008	2	EXT SNAP RING
3	MCG00022	1	1/8" DIA X 1" LG ROLL PIN
4	MAC00338	4	3/8-24NF X 2" LG SHCS
5	MAD00059	2	5/16-18NC X 1" LG FHSCS
6	MCE00010	2	3/4" DIA X 3.75" GRIP DETENT PIN
7	3619101	1	THREADED INSERT
8			
9			
10			
11	MCB00003	2	EXT SNAP RING
12	MCG00023	1	3/8" DIA X 2-1/2" LG ROLL PIN
13			
14			
15			
16			
17	MFJ00002	1	GREASE ZERK
18	MAH00038	1	5/8-18NF X 1-1/2" LG HHCS
19			
20			
21			
22			
23	T9007601	1	LOWER OUTER FIXED JAW
24	3602402	1	UPPER JAW
25	3613502	2	1/2NPTF BULKHEAD FITTING ANGLE CLIP
26	MAA00032	2	5/16-18NC X 3/4" LG HHCS
27	MBE00006	2	5/16" LOCK WASHER
28	3604001	1	UPPER JAW CLAMP PAD
29	3604101	1	RETAINER PIN
30	3604201	1	ROD EYE
31	3604301	1	UPPER JAW PIVOT PIN
32	3604302	1	CLAMPING CYL PIN
33	3607101	2	TRUNNION FITTING
34			

#1236A OUTER FIXED JAW ASSEMBLYPARTS LIST

ITEM	PART NO.	QTY	DESCRIPTION
------	----------	-----	-------------

NOTES:

1. HAND GRIND OFF RIDGES ON TOP OF BOLTS
2. INSTALL WITH LOCTITE #272
3. ORDER #A3602306 LOWER OUTER FIXED JAW KIT. INCLUDES ITEMS 18,12,1,17,23 & 7 PRE-ASSEMBLED.

DRAWING REVISION HISTORY LISTING

PART NO: 3601904
DESCRIPTION: #1236A OUTER FIXED JAW ASSEMBLY

<u>APPR.</u>	<u>REV</u>	<u>DATE</u>	<u>BY</u>	<u>DESCRIPTION OF REVISION</u>
B	A	10/07/96	SS	CHANGED PART #2410001 TO #3607101
SWB	B	05/21/97	BB	CHANGED ITEM NO. 34 PART #2415901 TO #1237301
TLW	C	02/03/98	TGW	DELETED ITEM #7 (P/N MJM00002) KEENSERT & REPLACED WITH (P/N 3619101) THREADED INSERT TO BE CONSISTENT WITH INNER JAW ASSEMBLY.
TLW	D	10/12/98	TGW	ADDED ITEM #25 (P/N 3613502) 1/2NPTF BULKHEAD FITTING ANGLE CLIP, ITEM #26 (P/N MAA00032) 5/16-18NC X 3/4" LG HHCS & ITEM #27 (P/N MBE00006) 5/16 LOCK WASHER.
SWB	-	04/19/99	TLW	REVISED ITEM #34 FROM 1237301 TO 2415901 FEMALE ROD EYE. DUE TO INTERFERENCE WITH UPPER JAW.
TLW	-	5/19/99	DJL	ADDED NOTE 3 FOR PRE-ASSEMBLED JAW KIT.
SWB	-	10/13/99	DJL	REVISED TO REPLACE ITEM 23 3602306 JAW WITH T9007601 JAW TO CONSOLIDATE 36" & T900 LOWER JAWS TO ALLOW BACKWARDS COMPATABILITY. REF PCR#99029.
SWB	E	01/04/05	BWW	REMOVED ITEM 34 2415901 TO MATCH AS BUILT CONDITION. THIS REVISION TOOK EFFECT ON 3-18-03 WITH REV. S OF 3600801 HYDRAULIC SCHEMATIC