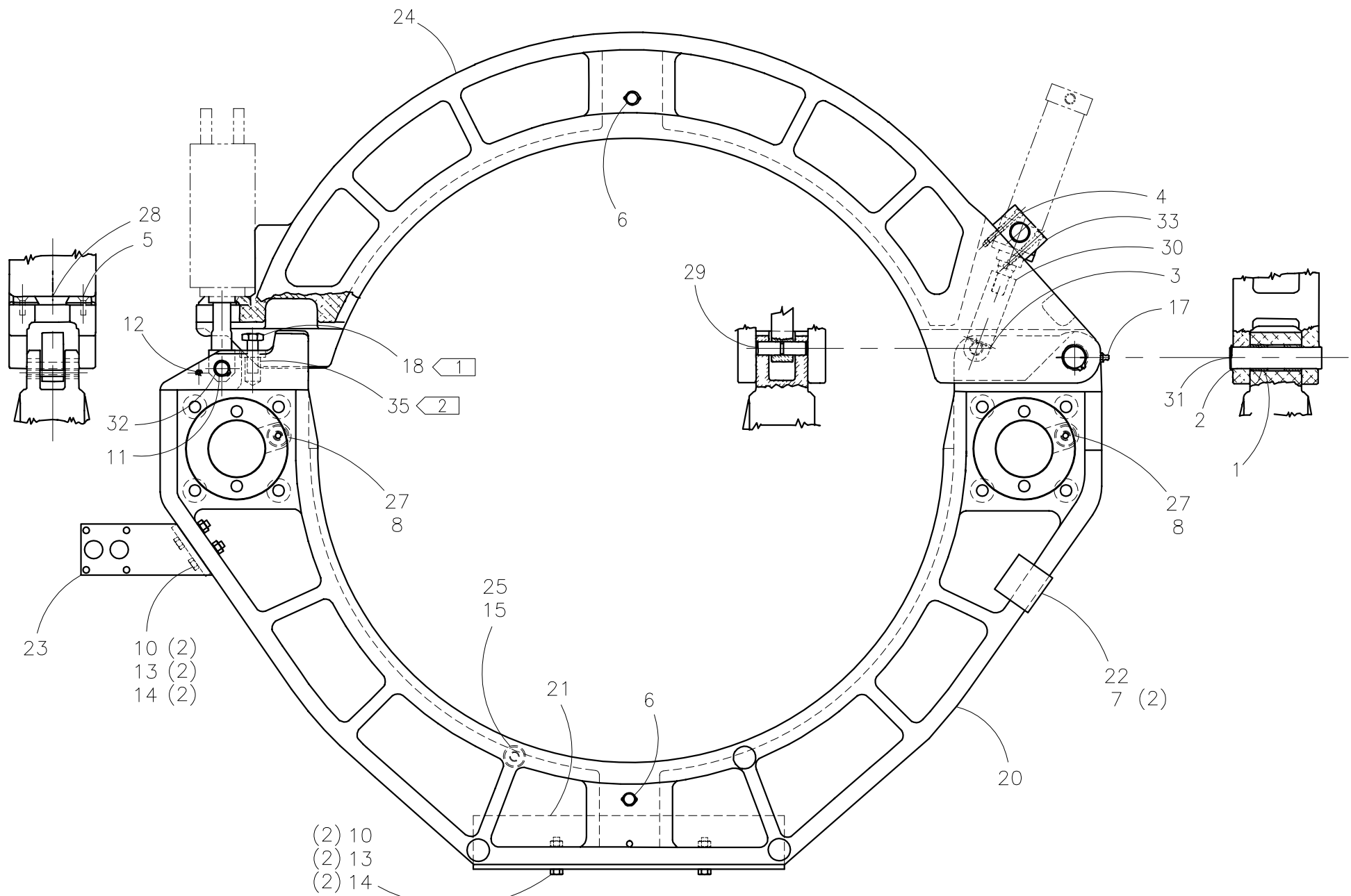




**McElroy Manufacturing, Inc.**  
 The leader by design.  
 Tulsa, Oklahoma U.S.A.

DRAWN: SS	CHECK: BWP	APPRV'D: B	DATE: 10/07/96	DWG No: 3601900	SHT No: 6	REV No: F	PART No: 3601902
#1236A INNER MOVABLE JAW ASSEMBLY							CAD No: 3601902

NOTE: THIS DRAWING AND THE INFORMATION CONTAINED THEREIN IS THE CONFIDENTIAL AND PROPRIETARY PROPERTY OF McElroy Manufacturing, Inc. THE DRAWING IS NOT TO BE REPRODUCED IN ANY MANNER, SUBMITTED TO OUTSIDE PARTIES FOR EXAMINATION, OR USED DIRECTLY OR INDIRECTLY FOR THE PURPOSES OTHER THAN THOSE FOR WHICH IT WAS FURNISHED WITHOUT WRITTEN PERMISSION OF McElroy Manufacturing, Inc.



**#1236A INNER MOVABLE JAW ASSEMBLY**PARTS LIST

ITEM	PART NO.	QTY	DESCRIPTION
	<b>3601902</b>		<b>ASSEMBLY</b>
1	MDM00005	2	BUSHING
2	MCB00008	2	EXT SNAP RING
3	MCG00022	1	1/8" DIA X 1" LG ROLL PIN
4	MAC00338	4	3/8-24 NF X 2" LG SHCS
5	MAD00059	2	5/16-18 NC X 1" LG FHSCS
6	MCE00010	2	3/4" DIA X 3.75" GRIP DETENT PIN
7	MAD00033	2	#10-24 NC X 3/4" LG FHSCS
8	MAC00095	2	3/8-16 NC X 1-1/4" LG SHCS
9			
10	MAA00068	4	3/8-16 NC X 2" LG HHCS
11	MCB00003	2	EXT SNAP RING
12	MCG00023	1	3/8" DIA X 2-1/2" LG ROLL PIN
13	MBA00007	4	3/8-16 NC HEX NUT
14	MBE00007	6	3/8" LOCK WASHER
15	MAC00093	1	3/8-16 NC X 7/8" LG SHCS
16			
17	MFJ00002	1	GREASE ZERK
18	MAH00038	1	5/8-18 NF X 1-1/2" LG HHCS
19			
20	T9007701	1	LOWER INNER MOVABLE JAW
21	3601502	1	CARRIAGE HOSE TROUGH
22	3601601	1	HOSE RETAINER BRACKET
23	3616103	1	MOVABLE JAW VALVE STACK MOUNT
24	3602402	1	UPPER JAW
25	3603616	1	REST BUTTON
26			
27	3603619	2	REST BUTTON
28	3604001	1	UPPER JAW CLAMP PAD
29	3604101	1	RETAINER PIN
30	3604201	1	ROD EYE
31	3604301	1	UPPER JAW PIVOT PIN
32	3604302	1	CLAMPING CYL PIN
33	3607101	2	TRUNNION FITTING
34			
35	3619101	1	THREADED INSERT
36			

**#1236A INNER MOVABLE JAW ASSEMBLY**PARTS LIST

---

ITEM	PART NO.	QTY	DESCRIPTION
------	----------	-----	-------------

---

**NOTES:**

1. HAND GRIND OFF RIDGES ON TOP OF BOLTS
2. INSTALL WITH LOCTITE #272
3. ORDER #A3602303 LOWER INNER MOVEABLE JAW KIT. INCLUDES ITEMS 12,18,20,17,1 & 35 PRE-ASSEMBLED.

## DRAWING REVISION HISTORY LISTING

**PART NO:** 3601902  
**DESCRIPTION:** #1236A INNER MOVABLE JAW ASSEMBLY

<u>APPR.</u>	<u>REV</u>	<u>DATE</u>	<u>BY</u>	<u>DESCRIPTION OF REVISION</u>
B	A	10/07/96	SS	CHANGED PART #2410001 TO #3607101
SWB	B	05/21/97	BB	CHANGED ITEM NO. 34 PART #2415901 TO #1237301
TLW	C	09/15/98	TGW	ADDED ITEMS 7, 10, 13, 14, 21, 22 & 23.
SWB	D	04/14/99	TLW	CORRECTED HOSE TROUGH TO BE SHOWN ON CORRECT SIDE. REVISED ITEM #34 FROM 1237301 TO 2415901 FEMALE ROD EYE. DUE TO INTERFERENCE WITH UPPER JAW.
TLW	-	5/19/99	DJL	ADDED NOTE 3 FOR PRE-ASSEMBLED JAW KIT.
SWB	-	10/13/99	DJL	REVISED TO REPLACE ITEM 20 3602303 JAW WITH T9007701 JAW TO CONSOLIDATE 36" & T900 LOWER JAWS TO ALLOW BACKWARDS COMPATABILITY. REF PCR#99029
SWB	E	07/060/01	BWW	REVISED TO REMOVE ITEMS 9 MAA00126 AND 36 3615201. UPPER FACER STOP WAS FOUND TO BE UNNECESSARY.
SWB	F	01/04/05	BWW	REMOVED ITEM 34 2415901 TO MATCH AS BUILT CONDITION. THIS REVISION TOOK EFFECT ON 3-18-03 WITH REV. S OF 3600801 HYDRAULIC SCHEMATIC.