



McElroy Manufacturing, Inc.

The leader by design.

Tulsa, Oklahoma U.S.A.

DRAWN: TLW

CHECK: BWP

APPRV'D: B

DATE: 7/05/95

DWG No: 3600500

SHT No: 2

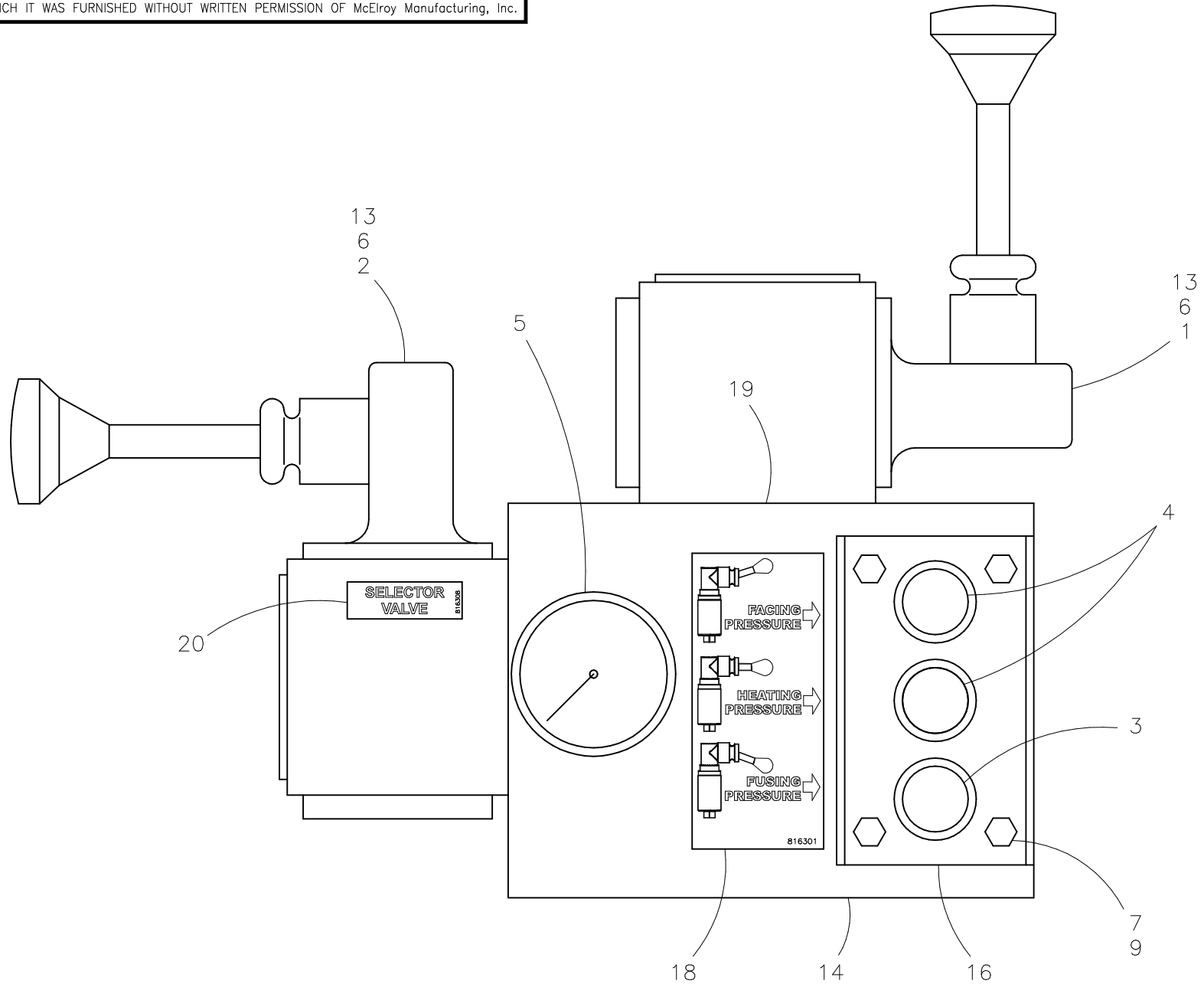
REV No: A

PART No: 3600502

#824A/#1236A CARRIAGE MANIFOLD ASSY (INTEGRATED MANIFOLDING NETWORK)

CAD No: 3600502

NOTE: THIS DRAWING AND THE INFORMATION CONTAINED THEREIN IS THE CONFIDENTIAL AND PROPRIETARY PROPERTY OF McElroy Manufacturing, Inc. THE DRAWING IS NOT TO BE REPRODUCED IN ANY MANNER, SUBMITTED TO OUTSIDE PARTIES FOR EXAMINATION, OR USED DIRECTLY OR INDIRECTLY FOR THE PURPOSES OTHER THAN THOSE FOR WHICH IT WAS FURNISHED WITHOUT WRITTEN PERMISSION OF McElroy Manufacturing, Inc.



**#824A/#1236A CARRIAGE MANIFOLD ASSEMBLY  
(INTEGRATED MANIFOLDING NETWORK)**

PARTS LIST

ITEM	PART NO.	QTY	DESCRIPTION
	<b>3600502</b>	<b>1</b>	<b>ASSEMBLY</b>
1	MEF00004	1	DIRECTIONAL VALVE
2	MEF00005	1	DIRECTIONAL VALVE
3	MEG00004	1	PRESSURE REDUCING VALVE
4	MEG00003	2	PRESSURE REDUCING VALVE
5	MEE00003	1	1500PSI/BAR PRESSURE GAUGE
6	MAC00057	8	1/4-20NC X 1 1/2" LG SHCS
7	MAA00002	4	1/4-20NC X 1/2" LG HHCS
8			
9	MBE00005	4	1/4 LOCK WASHER
10			
11			
12			
13	MBE00020	8	1/4 HI-CLR SPLIT LOCK WASHER
14	3611202	1	CARRIAGE MANIFOLD BLOCK W/PLUGS
15			
16	3611401	1	GUARD
17			
18	816301	1	FCG, HTG, FUS PRESSURE SEL LABEL
19	816304	1	CARRIAGE VALVE LABEL
20	816308	1	SELECTOR VALVE LABEL

## DRAWING REVISION HISTORY LISTING

**PART NO:** 3600502

**DESCRIPTION:** #824A/#1236A CARRIAGE MANIFOLD ASSEMBLY (INTEGRATED MANIFOLDING NETWORK)

<u>APPR.</u>	<u>REV</u>	<u>DATE</u>	<u>BY</u>	<u>DESCRIPTION OF REVISION</u>
B	---	7/05/95	TLW	Reduced to 'A' size format. Created typed parts list.
SWB	A	10/5/98	TGW	REMOVED ITEM 12 DRIVE SCREWS (LABEL NOW HAS SELF-ADHESIVE BACKING).
SWB	----	5/11/99	MLM	ITEM 14 WAS 3611204-(...MANIFOLD ASSEMBLY W/O EXPANSION PLUGS) PLUGS WERE ADDED TO PREVENT POSSIBILITY OF REPLACEMENT PARTS BEING SHIPPED W/O PLUGS.