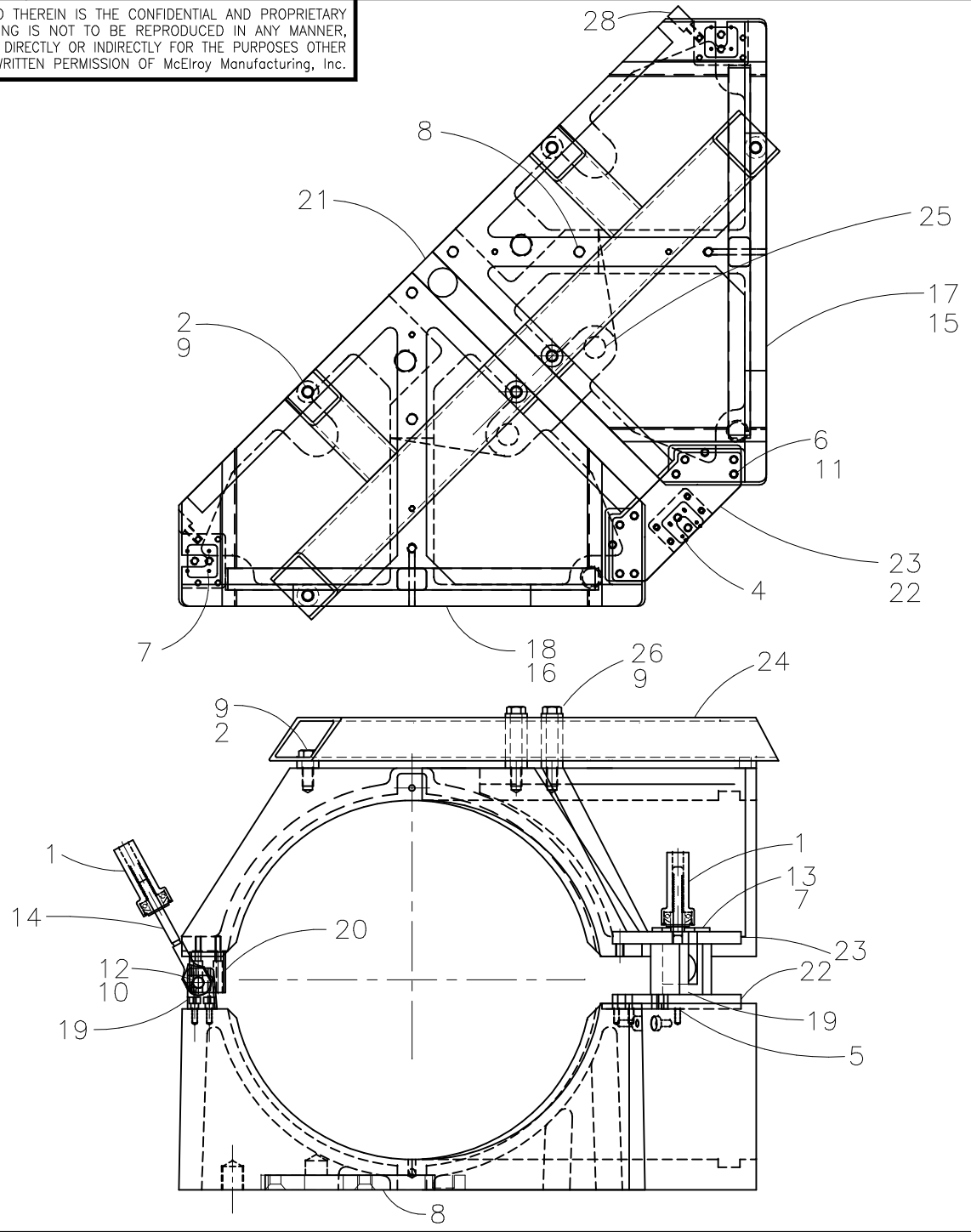




McElroy Manufacturing, Inc.
The leader by design.
Tulsa, Oklahoma U.S.A.

DRAWN: DWP	CHECK: DWP	APPRV'D: SWB	DATE: 8/28/96	DWG No: A2455900	SHT No: 1	REV No: A	PART No: A2455904
630MM McHILYT SHORT TEE FIXTURE ASSEMBLY							CAD No: A2455904

NOTE: THIS DRAWING AND THE INFORMATION CONTAINED THEREIN IS THE CONFIDENTIAL AND PROPRIETARY PROPERTY OF McElroy Manufacturing, Inc. THE DRAWING IS NOT TO BE REPRODUCED IN ANY MANNER, SUBMITTED OUTSIDE PARTIES FOR EXAMINATION, OR USED DIRECTLY OR INDIRECTLY FOR THE PURPOSES OTHER THAN THOSE FOR WHICH IT WAS FURNISHED WITHOUT WRITTEN PERMISSION OF McElroy Manufacturing, Inc.



**630MM McHiLYT
SHORT TEE FIXTURE ASSEMBLY**

Parts List

ITEM	PART NO.	QTY.	DESCRIPTION
	A2455904	1	ASSEMBLY
1	A1806104	3	630MM McHiLYT CLAMP KNOB ASSEMBLY
2	MAB00123	6	3/4-10NC X 2"LG HHCS GR5 PL
3	MAB00137	3	1-1/2-12NF X 4"LG HHCS GR5 PL
4	MAC00096	12	3/8-16NC X 1-1/2"LG SHCS STL BL
5	MAC00141	6	1/2-13NC X 1-1/2"LG SHCS STL BL
6	MAC00145	10	1/2-13NC X 2-1/2"LG SHCS STL BL
7	MAD00032	12	10-24NC X 5/8"LG FHSCS STL BL
8	MAD00128	4	3/4-10NC X 2"LG FHSCS STL BL
9	MBE00012	6	3/4" REG SPLIT LK WASHER STL PL
10	MAG00009	3	1/4-20NC X 1/4"LG. SHSS
11	MBE00009	10	1/2" REG SPLIT LK WASHER STL PL
12	2444401	3	JAW EYE BOLT PIN
13	2445001	6	JAW CLAMP PLATE
14	2453801	3	CLAMP SCREW
15	2455904	1	FRONT SHORT LOWER TEE
16	2455905	1	BACK SHORT LOWER TEE
17	2456004	1	FRONT SHORT UPPER TEE FIXTURE
18	2456005	1	BACK SHORT UPPER TEE FIXTURE
19	2456601	3	EYE BOLT BRACKET
20	2456701	3	GUIDE BRACKET
21	2457002	1	LOWER SPLICE PLATE
22	2457202	1	LOWER CLAMP PLATE
23	2457402	1	UPPER CLAMP PLATE
24	2458001	1	SHORT TEE BRACE WELDMENT
25	2458101	2	SHORT TEE DOWEL PIN
26	MAB00155	2	3/4-10NC X 5"LG HHCS GR5 PL
27	MBG00039	3	FLT WASHER BL
28	2459202	1	FRONT REST BUTTON
29	2459401	1	TEE MARKER

NOTES:

- Item 3, 27, 29 not shown.

DRAWING REVISION HISTORY LISTING

PART NO: A2455904

DESCRIPTION: 630MM McHiLYT SHORT TEE FIXTURE ASEMBLY

<u>APPR.</u>	<u>REV</u>	<u>DATE</u>	<u>BY</u>	<u>DESCRIPTION OF REVISION</u>
DWP	A	4/30/97	BB	CHANGED ITEM 10 MAG00002 TO MAG00009.
DWP	-	5/8/97	SWB	CORRECTED DESCRIPTION ON ITEM 9 MBE00012 FROM SHSS TO FLAT WASHER.
RAD	----	4/12/00	MLM	ITEM 26 WAS MAA00197-4-1/2'LG