



McElroy Manufacturing, Inc.

The leader by design.

Tulsa, Oklahoma U.S.A.

DRAWN: DWP

CHECK: DWP

APPRV'D: SWB

DATE: 8/28/96

DWG No: A2455900

SHT No: 1

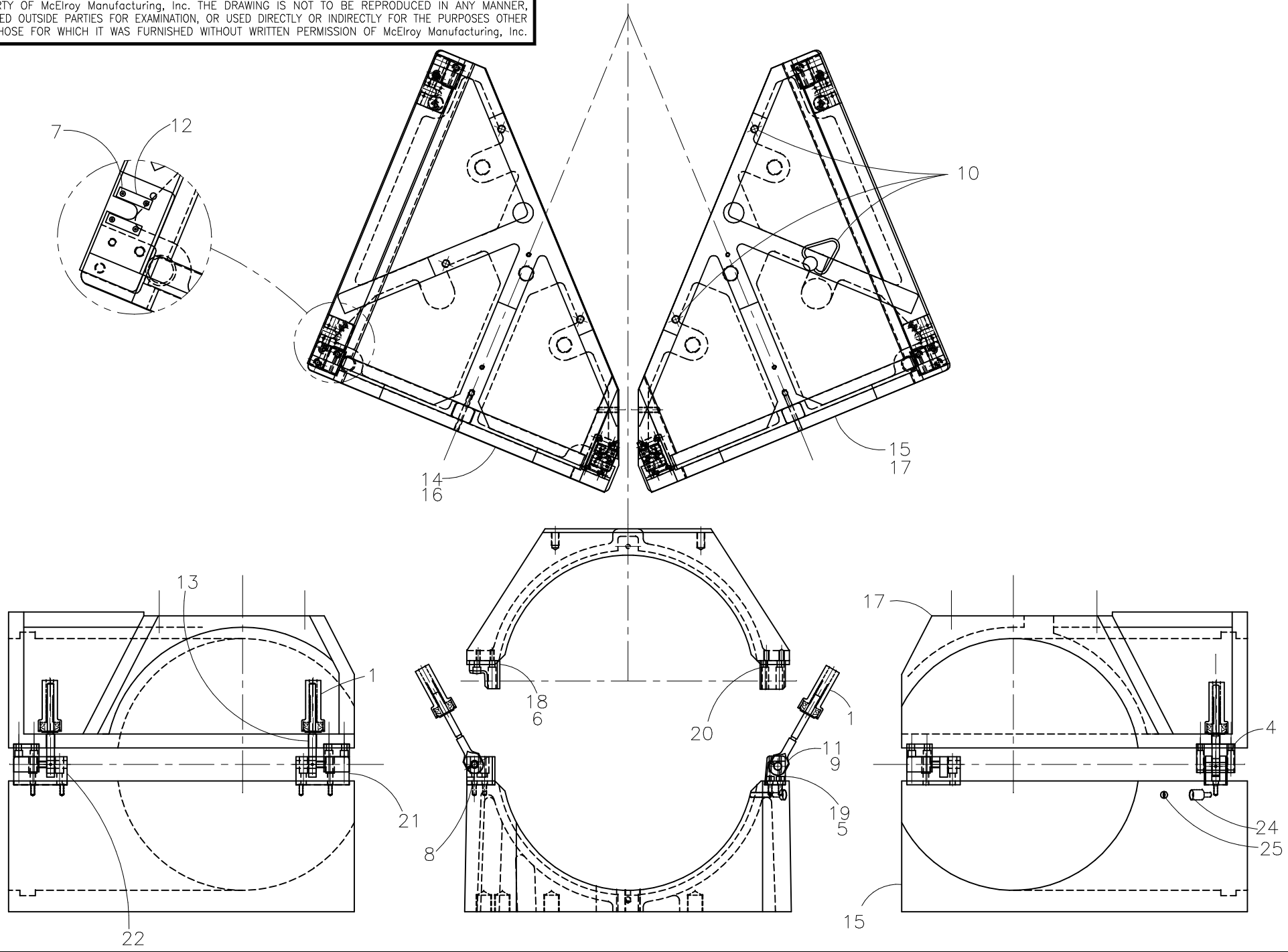
REV No: A

PART No: A2455902

630MM McHILYT LONG TEE FIXTURE ASSEMBLY

CAD No: A2455902

NOTE: THIS DRAWING AND THE INFORMATION CONTAINED THEREIN IS THE CONFIDENTIAL AND PROPRIETARY PROPERTY OF McElroy Manufacturing, Inc. THE DRAWING IS NOT TO BE REPRODUCED IN ANY MANNER, SUBMITTED OUTSIDE PARTIES FOR EXAMINATION, OR USED DIRECTLY OR INDIRECTLY FOR THE PURPOSES OTHER THAN THOSE FOR WHICH IT WAS FURNISHED WITHOUT WRITTEN PERMISSION OF McElroy Manufacturing, Inc.



**630MM McHiLYT
LONG TEE FIXTURE ASSEMBLY**

Parts List

ITEM	PART NO.	QTY.	DESCRIPTION
	A2455902	1	ASSEMBLY
1	A1806104	6	630MM McHiLYT, CLAMP KNOB ASSEMBLY
2			
3	MAA00419	6	1-1/2-12NF X 4"LG HHCS GR2 STL PL
4	MAC00096	8	3/8-16NC X 1-1/2"LG SHCS STL BL
5	MAC00141	8	1/2-13NC X 1-1/2"LG SHCS STL BL
6	MAC00143	4	1/2-13NC X 2"LG SHCS STL BL
7	MAD00032	24	10-24NC X 5/8"LG FHSCS STL BL
8	MAF00075	4	3/4"DIA. X 2"LG SHLD SCR STL BL
9	MAG00009	2	1/4-20NC 1/4LG. SHSS
10	MJH00003	6	HOIST RING
11	2444401	2	JAW EYE BOLT PIN
12	2445001	12	JAW CLAMP PLATE
13	2453801	6	CLAMP SCREW
14	2455902	1	FRONT LONG LOWER TEE
15	2455903	1	BACK LONG LOWER TEE
16	2456002	1	FRONT LONG UPPER TEE FIXTURE
17	2456003	1	BACK LONG UPPER TEE FIXTURE
18	2456101	4	GUIDE BLOCK
19	2456601	2	EYE BOLT BRACKET
20	2456701	2	GUIDE BRACKET
21	2456801	2	LONG TEE EYE BOLT BRACKET-RIGHT
22	2456802	2	LONG TEE EYE BOLT BRACKET-LEFT
23	MBG00039	6	FLT WASHER BL
24	2459201	2	TEE REST BUTTON
25	2459101	2	WYE REST BUTTON

NOTES:

1. Items 3,9, & 23 not shown.

DRAWING REVISION HISTORY LISTING

PART NO: A2455902

DESCRIPTION: 630MM McHiLYT LONG TEE FIXTURE ASSEMBLY

<u>APPR.</u>	<u>REV</u>	<u>DATE</u>	<u>BY</u>	<u>DESCRIPTION OF REVISION</u>
DWP	A	4/30/97	BB	CHANGED ITEM NO. 9 MAG00002 TO MAG00009, CORRECTED QTY. ON ITEM NO. 11 (2444401) FROM 6 TO 2