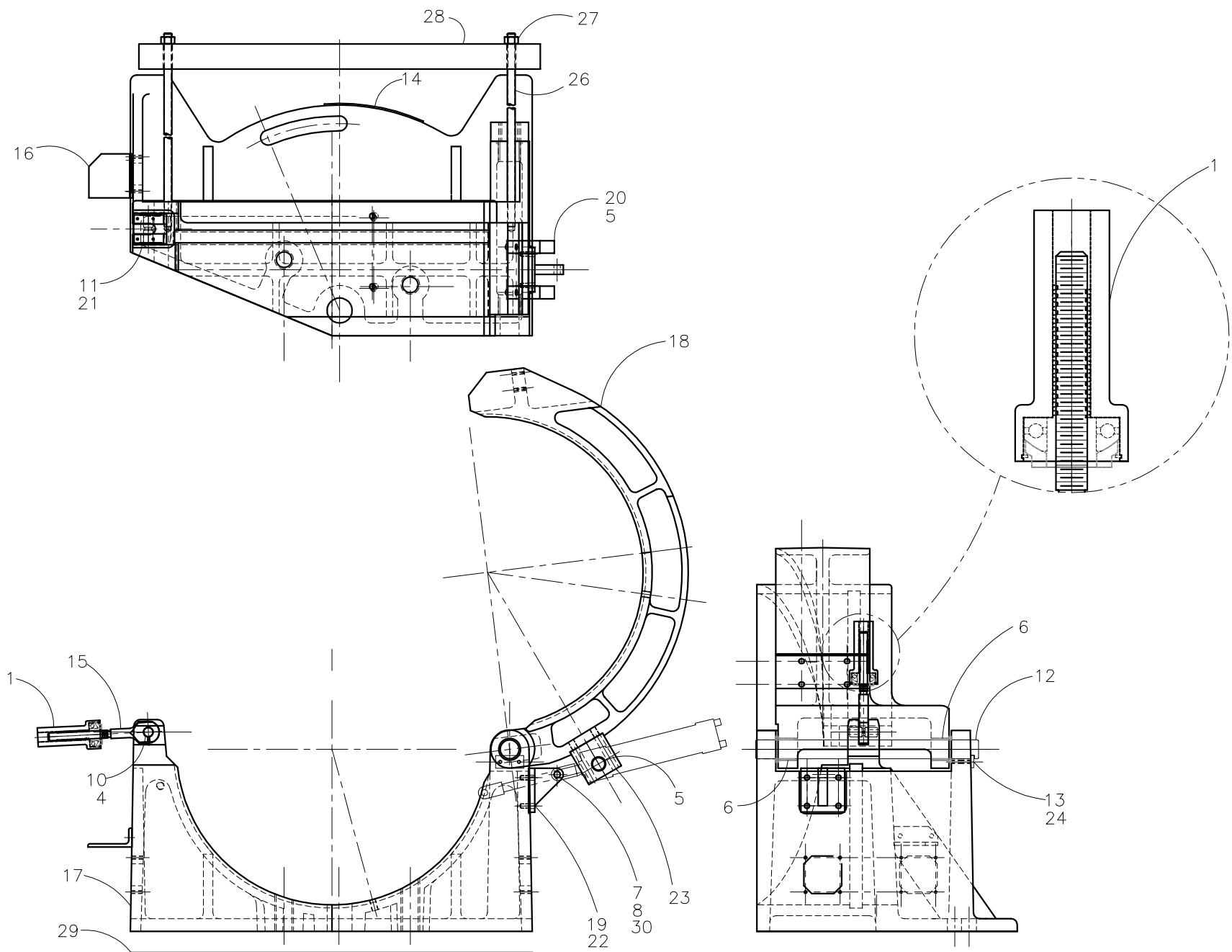




McElroy Manufacturing, Inc.
 The leader by design.
 Tulsa, Oklahoma U.S.A.

DRAWN: DWP	CHECK: DWP	APPRV'D: SWB	DATE: 8/28/96	DWG No: A2454700	SHT No: 1	REV No: C	PART No: A2454702
630MM McHILYT LEFT MITER JAW ASSEMBLY							CAD No: A2454702

NOTE: THIS DRAWING AND THE INFORMATION CONTAINED THEREIN IS THE CONFIDENTIAL AND PROPRIETARY PROPERTY OF McElroy Manufacturing, Inc. THE DRAWING IS NOT TO BE REPRODUCED IN ANY MANNER, SUBMITTED OUTSIDE PARTIES FOR EXAMINATION, OR USED DIRECTLY OR INDIRECTLY FOR THE PURPOSES OTHER THAN THOSE FOR WHICH IT WAS FURNISHED WITHOUT WRITTEN PERMISSION OF McElroy Manufacturing, Inc.



**630MM McHiLYT™
LEFT MITER JAW ASSEMBLY**

Parts List

ITEM	PART NO.	QTY.	DESCRIPTION
	A2454702	1	ASSEMBLY
1	A1806104	1	630MM McHiLYT CLAMP KNOB ASSEMBLY
2	MAB00136	1	1-1/8-7NC X 2-1/2"LG. HHCS GR5 STL PL
3	MAB00137	2	1-1/2-12NF X 4"LG HHCS GR5
4	MAG00009	1	1/4-20NC X 1/4"LG. SHSS
5	MDM00010	2	BUSHING
6	MDM00120	2	FLANGE BUSHING
7	MEK00022	1	ROD CLEVIS
8	MEK00025	1	1/2 DIA CLEVIS PIN ONLY X 1 7/8 GRIP
9	2441302	1	JAW CLAMP WASHER
10	2444401	1	JAW EYE BOLT PIN
11	2445001	2	JAW CLAMP PLATE
12	2445201	1	JAW PIVOT SHAFT
13	2445301	1	JAW PIVOT LOCKPLATE
14	2445802	1	JAW ANGLE SCALE-OPP.
15	2453801	1	CLAMP SCREW
16	2454502	1	VALVE GUARD
17	2454702	1	LOWER LEFT MITER JAW
18	2454802	1	UPPER LEFT MITER JAW
19	2455701	1	JAW CYLINDER EYE BRACKET
20	2455801	2	JAW CYLINDER TRUNION BLOCK
21	MAN00001	4	#10-24NC X 3/8" LG FHSCS SS
22	MAB00068	4	3/8-16NC X 2"LG HHCS GR5 PL
23	MAB00112	4	1/2-13NC X 4"LG HHCS GR5 PL
24	MAB00004	2	1/4-20NC X 1"LG HHCS GR5 PL
25	MBG00039	2	FLT WASHER BL
26		2	5/8-11NC X 36 LG ALL THREAD
27	MBH00026	2	5/8-11NC-2B FLANGE NUT
28	2463001	1	630MM McHiLYT™ MITER JAW BRACE BAR
29	2463101	3	630MM McHiLYT™ ELL FIXTURE SHIM
	2440303	1	HYDRAULIC SCHEMATIC
	2440304	1	PLUMBING SCHEMATIC
30	MCH00005	2	1/8 DIA X 2 LG COTTER PIN

NOTES:

1. Items 2,3,9, & 25 not shown.

DRAWING REVISION HISTORY LISTING

PART NO: A2454702

DESCRIPTION: 630MM McHiLYT LEFT MITER JAW ASSEMBLY

<u>APPR.</u>	<u>REV</u>	<u>DATE</u>	<u>BY</u>	<u>DESCRIPTION OF REVISION</u>
DWP	A	04/30/97	BB	CHANGED ITEM NO. 4 MAG00002 TO MAG00009.
DWP	-	05/08/97	SWB	CORRECTED ITEM 9 FROM 2441301 TO 2441302.
TLW	-	02/17/99	MLM	ADDED 2440303 & 2440304 TO MATERIAL LIST.
DWP	B	07/12/00	TLW	ADDED ITEM #26 5/8-11NC X 36 LG ALL THREAD QTY. 2, ITEM #27 MBH00026 QTY. 2, ITEM #28 2463001 QTY. 1, AND ITEM #29 2463101 QTY. 3
SWB	C	3/14/02	ALK	REVISED THE DESCRIPTION ON ITEM-8 FROM CLEVIS PIN TO 1/2 DIA CLEVIS PIN ONLY X 1 7/8 GRIP. ADDED ITEM-30 MCH00005 1/8 DIA X 2 LG COTTER PIN. COTTER PIN IS NOT SUPPLIED WITH CLEVIS PIN.