



McElroy Manufacturing, Inc.

The leader by design.

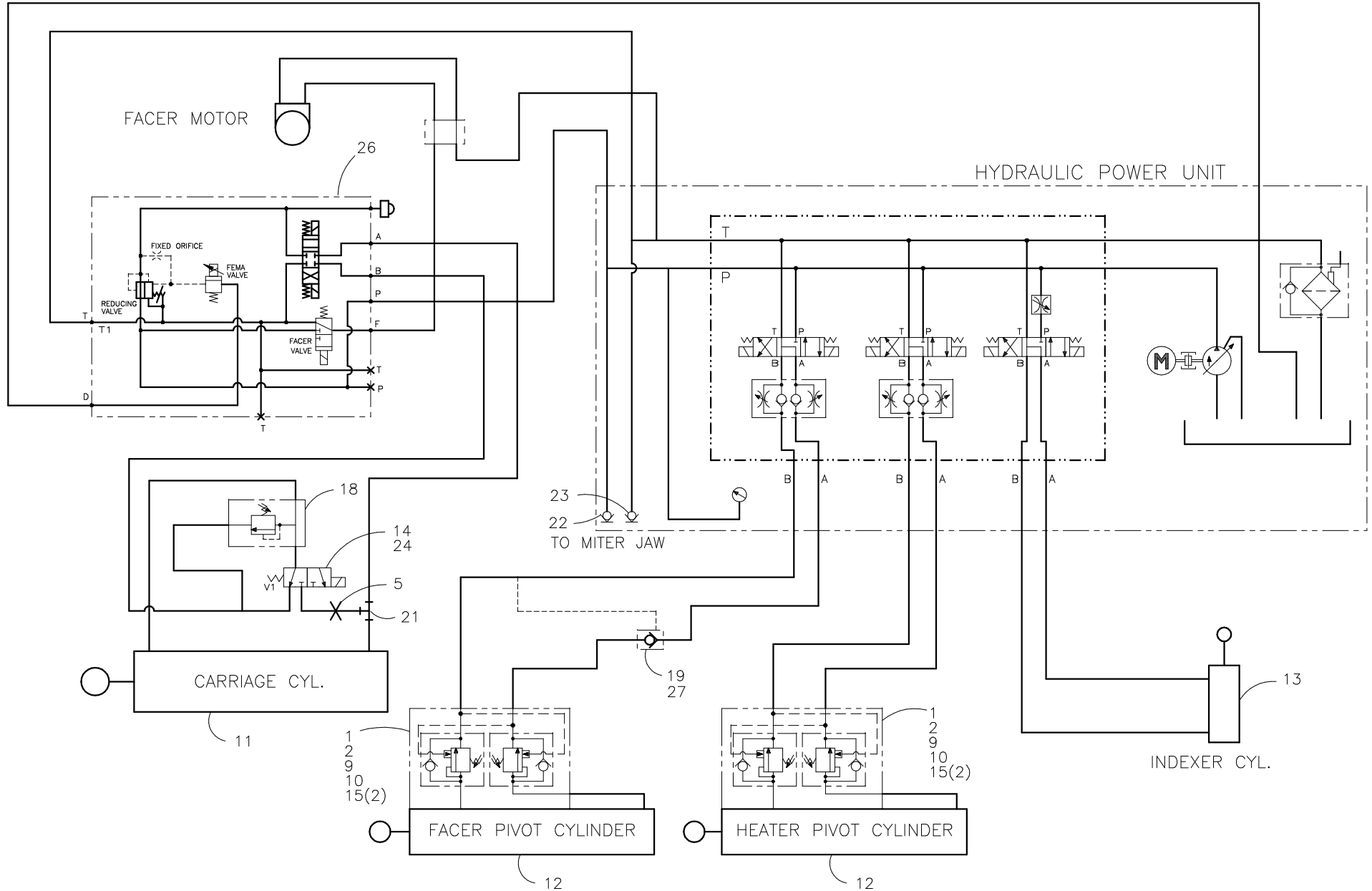
Tulsa, Oklahoma U.S.A.

DRAWN: MLM CHECK: RAD APPR'D: SWB DATE: 1/17/00 DWG No: 2462600 SHT No: 1 REV No: A PART No: 2462601

630MM McHiLYT HYDRAULIC SCHEMATIC

CAD No: 2462601

NOTE: THIS DRAWING AND THE INFORMATION CONTAINED THEREIN IS THE CONFIDENTIAL AND PROPRIETARY PROPERTY OF McElroy Manufacturing, Inc. THE DRAWING IS NOT TO BE REPRODUCED IN ANY MANNER, SUBMITTED OUTSIDE PARTIES FOR EXAMINATION, OR USED DIRECTLY OR INDIRECTLY FOR THE PURPOSES OTHER THAN THOSE FOR WHICH IT WAS FURNISHED WITHOUT WRITTEN PERMISSION OF McElroy Manufacturing, Inc.



**630MM McHiLYT
HYDRAULIC SCHEMATIC**

Parts List

ITEM	PART NO.	QTY.	DESCRIPTION
	2462601		ASSEMBLY
1	2401001	2	MANIFOLD
2	2401401	2	MANIFOLD MOUNTING BOLT
5	2401901	1	ORIFICE
9	MDL00153	2	O-RING
10	MDL00181	2	O-RING
11	MEB00092	1	HYDRAULIC CYLINDER
12	MEB00095	2	HYDRAULIC CYLINDER
13	MEB00096	1	HYDRAULIC CYLINDER
14	MEF00122	1	DIRECTIONAL VALVE
15	MEF00061	4	COUNTERBALANCE VALVE
18	MEH00003	1	RELIEF VALVE
19	MEJ00022	1	P.O. CHECK VALVE
20	MFH00034	1	QUICK DISCONNECT NIPPLE
21	2455601	1	CARRIAGE CYLINDER TEE MODIFICATION
22	MFH00003	2	3/8"FPT QUICK DISCONNECT COUPLER
23	MFH00004	2	3/8"FPT QUICK DISCONNECT NIPPLE
24	MEF00078	1	DIRECTIONAL VALVE BODY
26	T9013201	1	T900 CARRIAGE MANIFOLD ASSY.
27	MEF00124	1	VALVE BODY

DRAWING REVISION HISTORY LISTING

PART NO: 2462601

DESCRIPTION: 630MM McHiLYT HYDRAULIC SCHEMATIC

<u>APPR.</u>	<u>REV</u>	<u>DATE</u>	<u>BY</u>	<u>DESCRIPTION OF REVISION</u>
RAD	A	4/13/00	MLM	CHANGED QTY. OF ITEM 15 FROM 2 TO 4. ADDED ITEM 27-MEF00124 VALVE BODY.