



McElroy Manufacturing, Inc.

The leader by design.

Tulsa, Oklahoma U.S.A.

DRAWN: TLW

CHECK: BWP

APPRV'D: SWB

DATE: 02/07/00

DWG No: 2460600

SHT No: 1

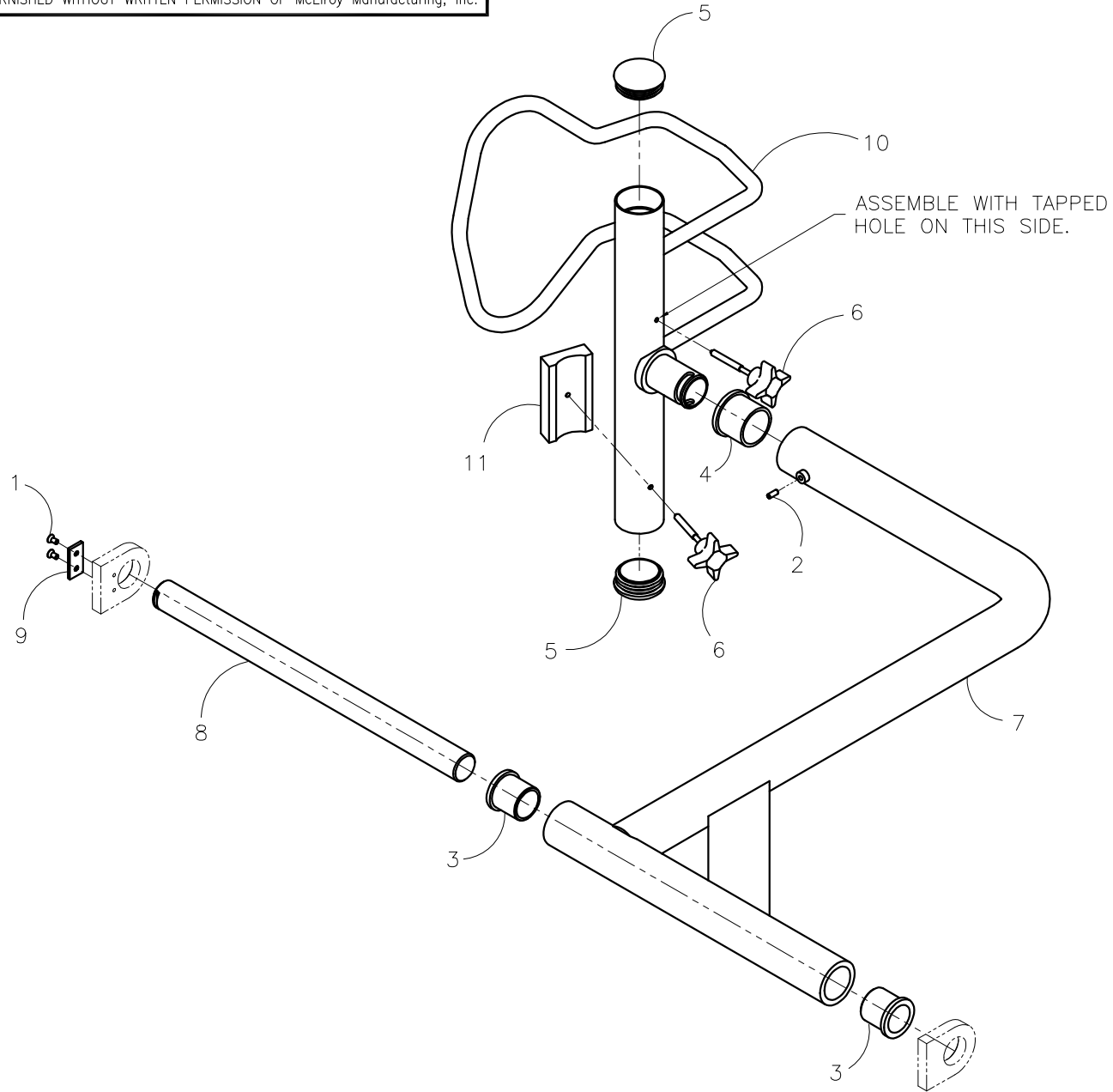
REV No:

PART No: 2460601

630MM McHILYT PENDANT BOX MOUNT ASSEMBLY

CAD No: 2460601

NOTE: THIS DRAWING AND THE INFORMATION CONTAINED THEREIN IS THE CONFIDENTIAL AND PROPRIETARY PROPERTY OF McElroy Manufacturing, Inc. THE DRAWING IS NOT TO BE REPRODUCED IN ANY MANNER, SUBMITTED OUTSIDE PARTIES FOR EXAMINATION, OR USED DIRECTLY OR INDIRECTLY FOR THE PURPOSES OTHER THAN THOSE FOR WHICH IT WAS FURNISHED WITHOUT WRITTEN PERMISSION OF McElroy Manufacturing, Inc.



630MM McHiLYT PENDANT BOX MOUNT ASSEMBLYParts List

ITEM	PART NO.	QTY.	DESCRIPTION
	2460601		ASSEMBLY
1	MAD00030	2	#10-24NC X 3/8 LG FHSCS
2	MAG00050	1	1/4-20NC X 1/2 LG SKT SET SCR CUP POINT 18-8 SS
3	MDM00080	2	FLANGE BUSHING
4	MDM00120	1	FLANGE BUSHING
5	MJQ00340	2	CAP PLUG
6	T5009706	2	KNOB ASSEMBLY
7	2459901	1	630MM McHiLYT PENDANT ARM BASE WELDMENT
8	2460101	1	630MM McHiLYT PIVOT SHAFT
9	2460201	1	630MM McHiLYT PIVOT SHAFT STOP
10	2460301	1	630MM McHiLYT PENDANT BOX MOUNTING WELDMENT
11	2460401	1	630MM McHiLYT PIVOT ARM ADAPTER