



McElroy Manufacturing, Inc.

The leader by design.

Tulsa, Oklahoma U.S.A.

DRAWN: MLM

CHECK: RAD

APPRV'D: SWB

DATE: 2/2/00

DWG No: 2447600

SHT No: 2A

REV No: A

PART No: 2447602

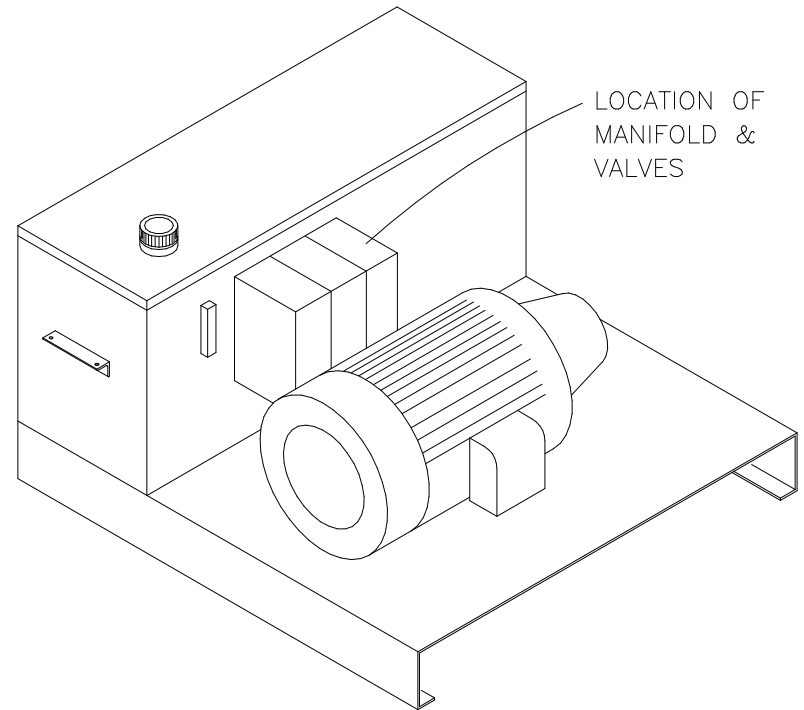
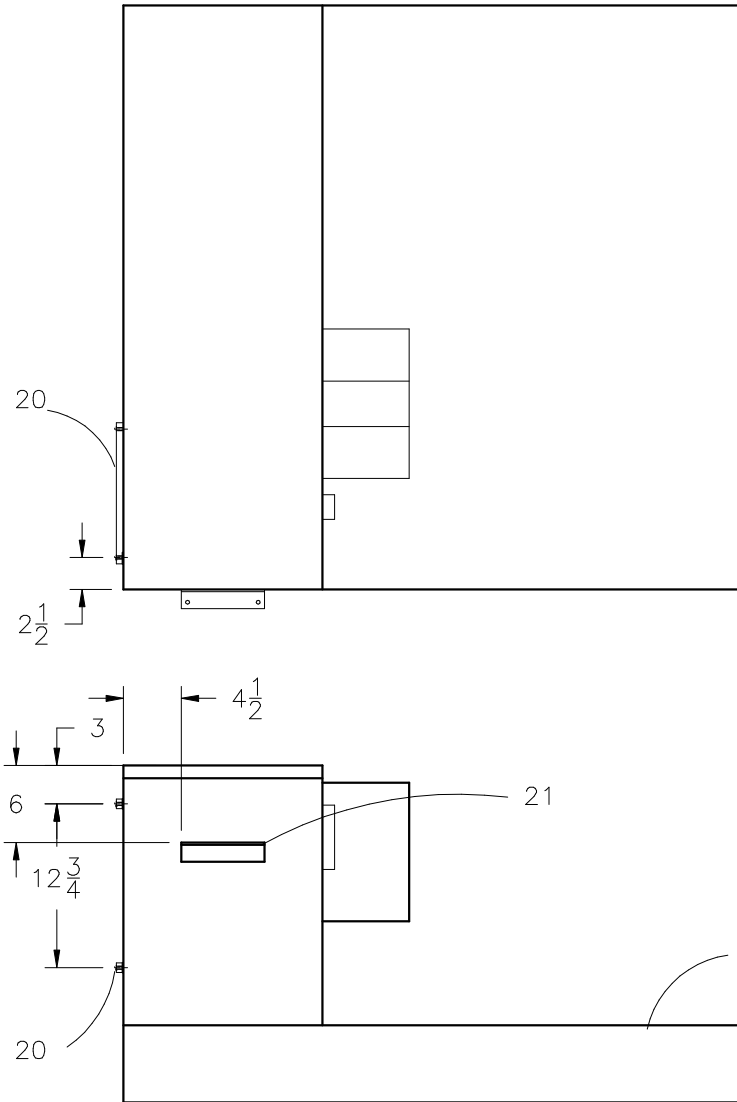
630MM McHiLYT HYDRAULIC POWER UNIT

CAD No: 2447602

NOTE: THIS DRAWING AND THE INFORMATION CONTAINED THEREIN IS THE CONFIDENTIAL AND PROPRIETARY PROPERTY OF McElroy Manufacturing, Inc. THE DRAWING IS NOT TO BE REPRODUCED IN ANY MANNER, SUBMITTED OUTSIDE PARTIES FOR EXAMINATION, OR USED DIRECTLY OR INDIRECTLY FOR THE PURPOSES OTHER THAN THOSE FOR WHICH IT WAS FURNISHED WITHOUT WRITTEN PERMISSION OF McElroy Manufacturing, Inc.

NOTES:

- 1. WELD ITEMS 20 & 21 TO RESERVOIR.



UNLESS NOTED OTHERWISE: (3) PLC. DIM'S .XXX = ±0.005" (2) PLC. DIM'S .XX = ±0.010" FRACTIONAL DIM'S = ±1/32" ANGULAR DIM'S = ±1/4" REMOVE ALL BURRS BREAK ALL SHARP EDGES STAMP OR ETCH P/N ON ALL DETAIL PARTS

Table with columns: MMI NUMBER, ITEM, QTY., ASSEMBLY, SIZE AND DESCRIPTION



McElroy Manufacturing, Inc.

The leader by design.

Tulsa, Oklahoma U.S.A.

DRAWN: MLM	CHECK: RAD	APPRV'D: SWB	DATE: 2/2/00	DWG No: 2447600	SHT No: 2B	REV No: A	PART No: 2447602
------------	------------	--------------	--------------	-----------------	------------	-----------	------------------

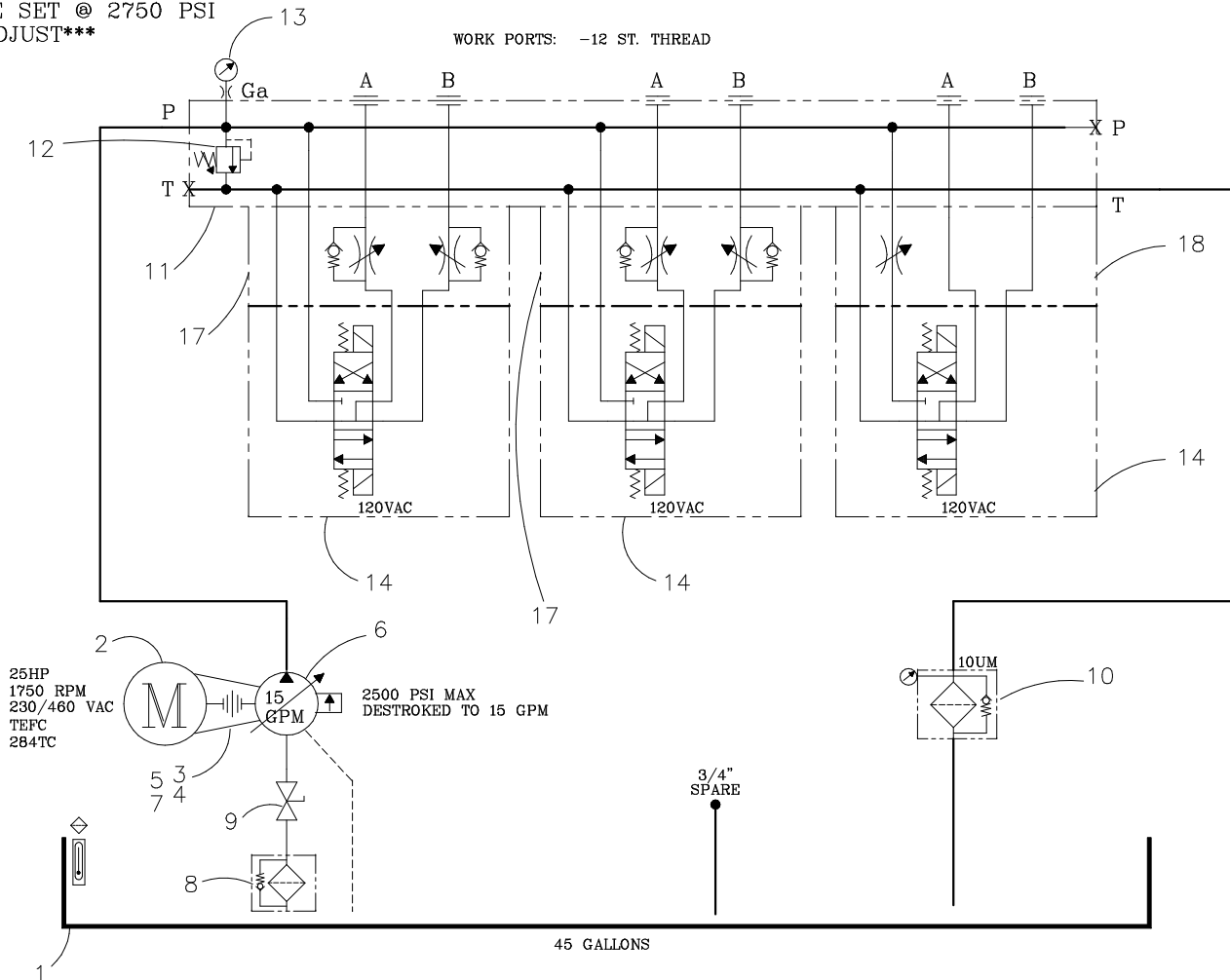
630MM McHILYT HYDRAULIC POWER UNIT

CAD No: 2447602

NOTE: THIS DRAWING AND THE INFORMATION CONTAINED THEREIN IS THE CONFIDENTIAL AND PROPRIETARY PROPERTY OF McElroy Manufacturing, Inc. THE DRAWING IS NOT TO BE REPRODUCED IN ANY MANNER, SUBMITTED OUTSIDE PARTIES FOR EXAMINATION, OR USED DIRECTLY OR INDIRECTLY FOR THE PURPOSES OTHER THAN THOSE FOR WHICH IT WAS FURNISHED WITHOUT WRITTEN PERMISSION OF McElroy Manufacturing, Inc.

RELIEF VALVE SET @ 2750 PSI

\*\*\*DO NOT ADJUST\*\*\*



UNLESS NOTED OTHERWISE:	(3) PLC. DIM'S .XXX = ±0.005" (2) PLC. DIM'S .XX = ±0.010" FRACTIONAL DIM'S = ±1/32"	ANGULAR DIM'S = ±1/4" REMOVE ALL BURRS BREAK ALL SHARP EDGES	STAMP OR ETCH P/N ON ALL DETAIL PARTS
-------------------------	--	--	---------------------------------------

MMI NUMBER	ITEM	QTY.	SIZE AND DESCRIPTION



McElroy Manufacturing, Inc.

The leader by design.

Tulsa, Oklahoma U.S.A.

DRAWN: MLM

CHECK: RAD

APPRV'D: SWB

DATE: 2/2/00

DWG No: 2447600

SHT No: 2C

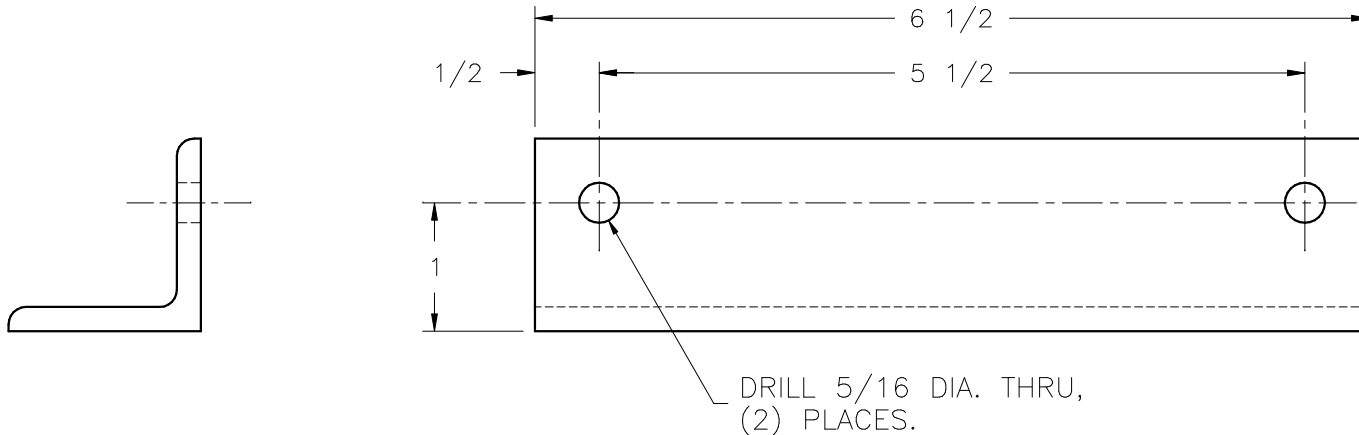
REV No: A

PART No: 2447602

MANIFOLD BRACKET

CAD No: 2447602

NOTE: THIS DRAWING AND THE INFORMATION CONTAINED THEREIN IS THE CONFIDENTIAL AND PROPRIETARY PROPERTY OF McElroy Manufacturing, Inc. THE DRAWING IS NOT TO BE REPRODUCED IN ANY MANNER, SUBMITTED OUTSIDE PARTIES FOR EXAMINATION, OR USED DIRECTLY OR INDIRECTLY FOR THE PURPOSES OTHER THAN THOSE FOR WHICH IT WAS FURNISHED WITHOUT WRITTEN PERMISSION OF McElroy Manufacturing, Inc.



ITEM-21

UNLESS NOTED OTHERWISE:	(3) PLC. DIM'S .XXX = ±0.005" (2) PLC. DIM'S .XX = ±0.010" FRACTIONAL DIM'S = ±1/32"	ANGULAR DIM'S = ±1/4° REMOVE ALL BURRS BREAK ALL SHARP EDGES	STAMP OR ETCH P/N ON ALL DETAIL PARTS
-------------------------	--	--	---------------------------------------

MMI NUMBER	ITEM	QTY.	SIZE AND DESCRIPTION
			ASTM A-36 STRUCT ANGLE 1-1/2 X 1-1/2 X 3/16



McElroy Manufacturing, Inc.

The leader by design.

Tulsa, Oklahoma U.S.A.

DRAWN: MLM

CHECK: RAD

APPRV'D: SWB

DATE: 4/12/00

DWG No: 2447600

SHT No: 2D

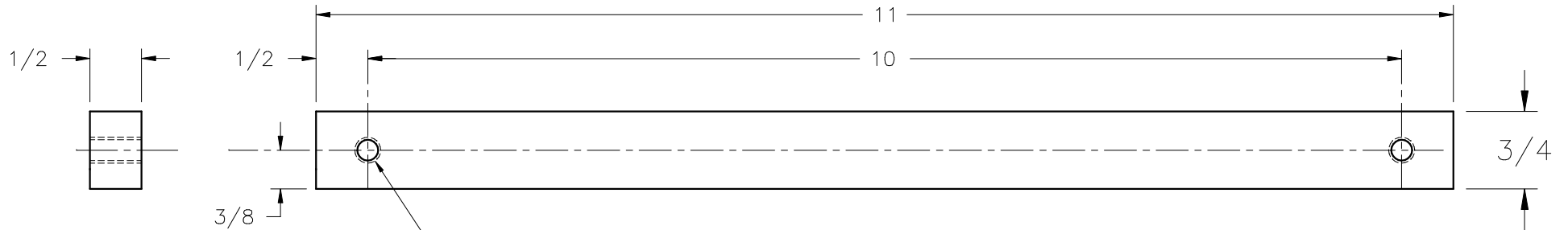
REV No: A

PART No: 2447602

ELECTRICAL ENCLOSURE BRACKET

CAD No: 2447602

NOTE: THIS DRAWING AND THE INFORMATION CONTAINED THEREIN IS THE CONFIDENTIAL AND PROPRIETARY PROPERTY OF McElroy Manufacturing, Inc. THE DRAWING IS NOT TO BE REPRODUCED IN ANY MANNER, SUBMITTED OUTSIDE PARTIES FOR EXAMINATION, OR USED DIRECTLY OR INDIRECTLY FOR THE PURPOSES OTHER THAN THOSE FOR WHICH IT WAS FURNISHED WITHOUT WRITTEN PERMISSION OF McElroy Manufacturing, Inc.



DRILL .201 DIA. THRU,  
TAP 1/4-20UNC THRU  
(2) PLACES.

ITEM-20

UNLESS NOTED OTHERWISE:	(3) PLC. DIM'S .XXX = ±0.005" (2) PLC. DIM'S .XX = ±0.010" FRACTIONAL DIM'S = ±1/32"	ANGULAR DIM'S = ±1/4" REMOVE ALL BURRS BREAK ALL SHARP EDGES	STAMP OR ETCH P/N ON ALL DETAIL PARTS
-------------------------	--	--	--

AISI 1020

MMI NUMBER

ITEM

QTY.

SIZE AND DESCRIPTION

**630MM McHiLYT HYDRAULIC POWER UNIT**Parts List

ITEM	QTY.	DESCRIPTION
	<b>2447602</b>	<b>ASSEMBLY</b>
1	1	SAINT L-45-12 45 GALLON L-SHAPE ASSY.
2	1	BALDOR 25HP 1760RPM 230/460 TEFC 284TC
3	1	MAGNALOY 400 X 1-7/8" COUPLING
4	1	MAGNALOY 400 X 7/8" COUPLING
5	1	MAGNALOY 470N INSERT
6	1	VICKERS PVQ40-B2R-SE1F-20-C21D-12 PUMP (DESTROKED TO 15 GPM)
7	1	VESCOR# 1979 C-FACE ADAPTER
8	1	FLOWEZY P30-1-1/2 100 RV3 SUCTION STRAINER
9	1	APOLLO 82-107-01 BALL VALVE
10	1	HYDAC MFBN160G10A01.0-5.2B3 RETURN FILTER
11	1	DAMAN AD03HP03S/C DAMON MANIFOLD W/RLF. CAV.
12	1	VICKERS RV5-16-S-0-30/ RELIEF CARTRIDGE
13	1	WIKA 213.53 2-1/2 3000 ¼-LM GAUGE
14	3	VICKERS DG4V3-6C-M-FW-B6-60 VALVE
15		
16	3	VICKERS BK870017 BOLT KIT
17	2	VICKERS DGMFN-3-Y-A2W-B2W-41 FOW CONTROL MODULE
18	1	VICKERS DGMFN-3-Z-P2W-41 FLOW CONTROL MODULE
19		
20	1	ELECTRICAL ENCLOSURE BRACKET-(SEE SHT. 2D)
21	1	MANIFOLD BRACKET-(SEE SHT. 2C)

**NOTES:**

## DRAWING REVISION HISTORY LISTING

**PART NO:** 2447602

**DESCRIPTION:** 630MM McHiLYT HYDRAULIC POWER UNIT

<u>APPR.</u>	<u>REV</u>	<u>DATE</u>	<u>BY</u>	<u>DESCRIPTION OF REVISION</u>
TLW	-	2/23/00	BWW	CHANGED ITEM 10 FROM HYDAQ MFP180G10M1.0/5.2 RETURN FILTER TO HYDAC MFBN160G10A01.0-5.2B3 RETURN FILTER.
RAD	A	4/12/00	MLM	ITEM 20 WAS ELECTRICAL BOX, CHANGED TO BRACKET. (ENCLOSURE ADDED AT ASSEMBLY)