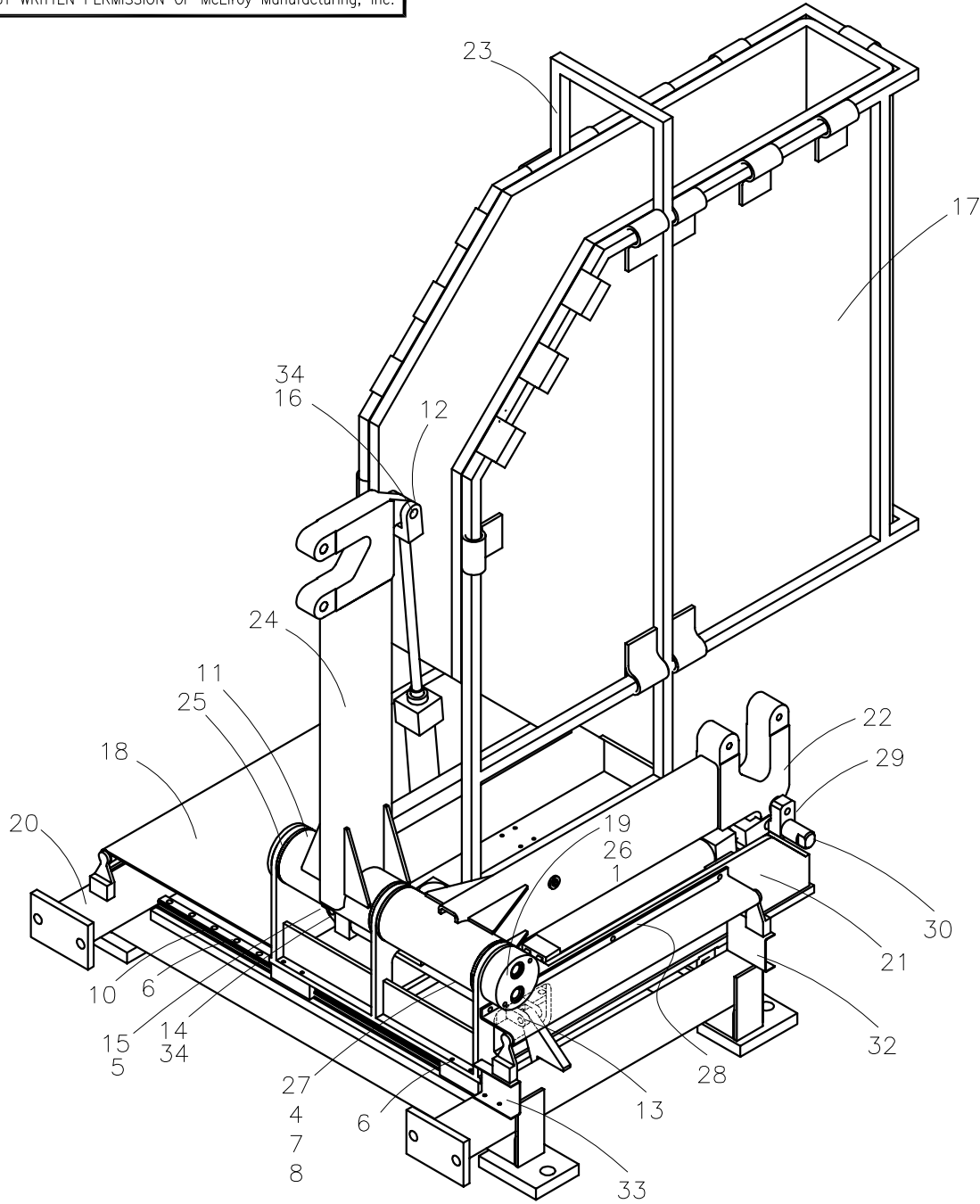




**McElroy Manufacturing, Inc.**  
The leader by design.  
Tulsa, Oklahoma U.S.A.

DRAWN: AH	CHECK: DWP	APPRV'D: B	DATE: 9/14/98	DWG No: 2440200	SHT No: 1	REV No: B	PART No: 2440201
630MM McHILYT INDEXER ASSEMBLY							CAD No: 2440201

NOTE: THIS DRAWING AND THE INFORMATION CONTAINED THEREIN IS THE CONFIDENTIAL AND PROPRIETARY PROPERTY OF McElroy Manufacturing, Inc. THE DRAWING IS NOT TO BE REPRODUCED IN ANY MANNER, SUBMITTED OUTSIDE PARTIES FOR EXAMINATION, OR USED DIRECTLY OR INDIRECTLY FOR THE PURPOSES OTHER THAN THOSE FOR WHICH IT WAS FURNISHED WITHOUT WRITTEN PERMISSION OF McElroy Manufacturing, Inc.



**630MM McHiLYT™  
INDEXER ASSEMBLY**

Parts List

ITEM	PART NO.	QTY.	DESCRIPTION
	<b>2440201</b>	<b>1</b>	<b>ASSEMBLY</b>
1	MAB00004	4	1/4-20NC X 1"LG HHCS GR5 PL
2			
3			
4	MAC00141	12	1/2-13NC X 1-1/2"LG SHCS STL BL
5	MAC00362	1	7/16-20NF X 1-3/4"LG SHCS STL BL
6	MAR00003	46	M6 X 1-25MM LG. SHCS
7	MBA00009	12	1/2-13NC FINISHED HEX NUT STL PL
8	MBE00009	12	1/2" REG SPLIT LK WASHER STL PL
9			
10	MDM00224	2	LINEAR BEARING
11	MDM00225	4	BRONZE BUSHING
12	MEK00006	2	ROD CLEVIS
13	MEK00022	1	ROD CLEVIS
14	MEK00025	1	1/2 DIA CLEVIS PIN ONLY X 1 7/8 GRIP
15	MEK00028	1	ROD EYE
16	MEK00029	2	3/4 DIA CLEVIS PIN ONLY X 2 5/8 GRIP
17	2442601	1	INSULATED HEATER BAG
18	MJQ00300	2	CURTAIN GUARD
19	2401701	1	ROTARY SWIVEL MOUNTING BOSS
20	2442001	1	INDEXER BASE
21	2442101	1	INDEXER CARRIAGE
22	2442201	1	FACER PIVOT ARM
23	2442301	1	HEATER BAG FRAME
24	2442501	1	HEATER PIVOT ARM
25	2442701	4	THRUST WASHER
26	2442801	1	PIVOT SHAFT
27	2443001	2	INDEXING CARRIAGE CYLINDER EYE BRACKET
28	2453901	2	CURTAIN KEEPER
29	2454101	2	TOP R.B. BRACKET
30	2454301	1	TOP REST BUTTON (SHORT)
31	2454302	1	TOP REST BUTTON (LONG) (NOT SHOWN)
32	2454901	1	GUARD MOUNTING BRACKET
33	2454902	1	GUARD MOUNTING BRACKET
34	MCH00005	6	1/8 DIA X 2 LG COTTER PIN

## DRAWING REVISION HISTORY LISTING

**PART NO:** 2440201  
**DESCRIPTION:** 630MM McHiLYT INDEXER ASSEMBLY

<u>APPR.</u>	<u>REV</u>	<u>DATE</u>	<u>BY</u>	<u>DESCRIPTION OF REVISION</u>
DWP	A	9/14/98	AH	REVISED AND REDRAWN TO AUTOCAD.
SWB	B	3/14/02	ALK	REVISED DESCRIPTION ON ITEM-14 FROM CLEVIS PIN TO 1/2 DIA CLEVIS PIN ONLY X 1 7/8 GRIP & ON ITEM-16 FROM CLEVIS PIN TO 3/4 DIA CLEVIS PIN ONLY X 2 5/8 GRIP. ADDED ITEM-34 MCH00005 1/8 DIA X 2 LG COTTER PIN. COTTER PIN IS NOT SUPPLIED WITH CLEVIS PIN.