

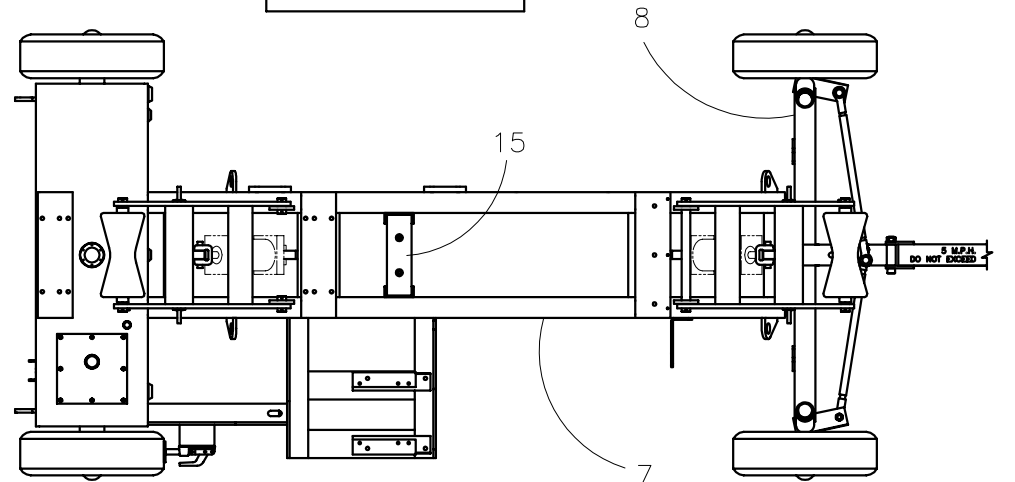
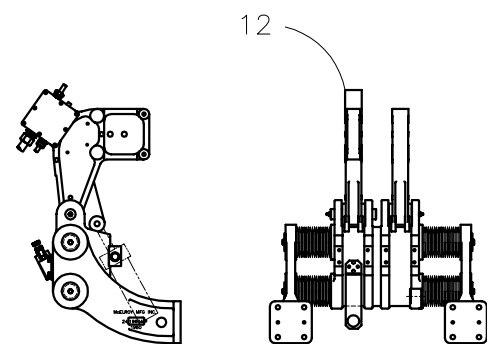
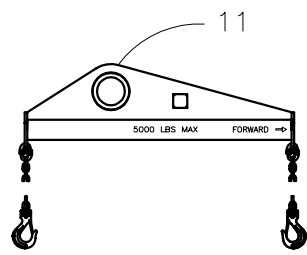
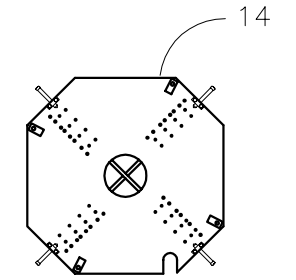
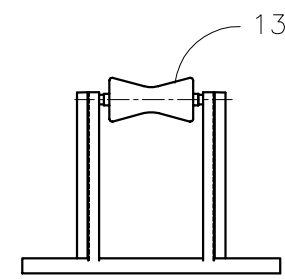
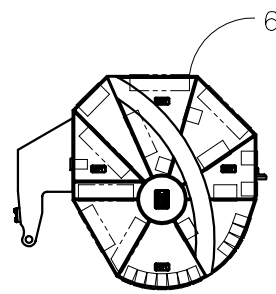
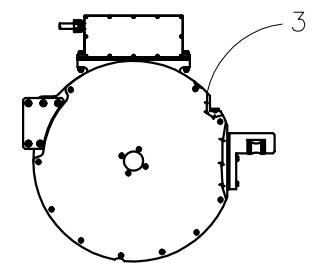
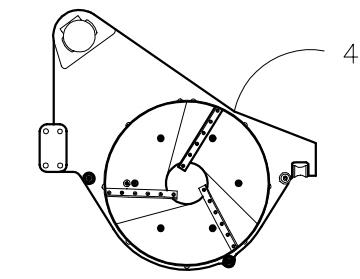
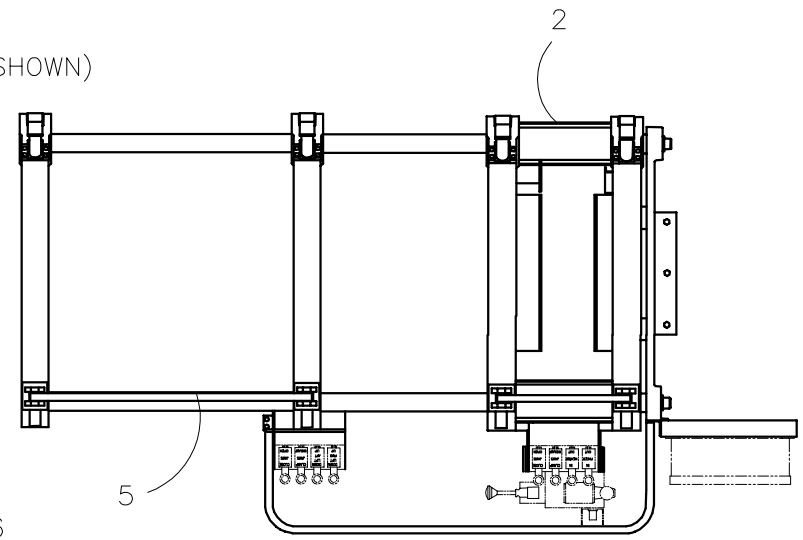


**McElroy Manufacturing, Inc.**  
 The leader by design.  
 Tulsa, Oklahoma U.S.A.

DRAWN: TGW	CHECK: TLW	APPR'D: SWB	DATE: 11/2/98	DWG No:	SHT No:	REV No: D	PART No:
#824 FUSION MACHINE GROUPING FOR 2400700 ASSEMBLIES							CAD No: _ASSY24

NOTE: THIS DRAWING AND THE INFORMATION CONTAINED THEREIN IS THE CONFIDENTIAL AND PROPRIETARY PROPERTY OF McElroy Manufacturing, Inc. THE DRAWING IS NOT TO BE REPRODUCED IN ANY MANNER, SUBMITTED TO OUTSIDE PARTIES FOR EXAMINATION, OR USED DIRECTLY OR INDIRECTLY FOR THE PURPOSES OTHER THAN THOSE FOR WHICH IT WAS FURNISHED WITHOUT WRITTEN PERMISSION OF McElroy Manufacturing, Inc.

- 1 - 2402402 #824 ELECTRICAL POWER ASSEMBLY 220-240V, 50/60Hz, 3Ph (NOT SHOWN)
- 1 - 2402403 #824 ELECTRICAL POWER ASSEMBLY 415V, 50Hz, 3Ph (NOT SHOWN)
- 2 - 3630001 #824/#1236 LOW FORCE CYLINDER ASSEMBLY SET (XHV)
- 2 - 3630002 #824/#1236 MEDIUM FORCE CYLINDER ASSEMBLY SET (HV)
- 2 - 3630003 #824/#1236 HIGH FORCE CYLINDER ASSEMBLY SET (STD)
- 3 - 2428501 #824 BUTT PLATE HEATER ASSEMBLY
- 4 - 2419802 #824 FACER ASSEMBLY
- 5 - 2402901 #824 JAW SET ASSEMBLY
- 6 - 2427401 #824 HEATER PANEL & FRAME ASSEMBLY
- 7 - 3631301 #824/#1236 ROLLING CHASSIS ASSEMBLY
- 8 - 3631201 #824/#1236 FRONT AXLE ASSEMBLY
- 9 - 2400801 #824 HYDRAULIC SCHEMATIC (NOT SHOWN)
- 10 - 2400802 #824 PLUMBING SCHEMATIC (NOT SHOWN)
- 11 - 3618001 #824/#1236 SPREADER BAR ASSEMBLY
- 12 - 2403001 #824 INDEXING CARRIAGE ASSEMBLY
- 13 - 2429101 #824/#1236 PIPE STAND ASSEMBLY
- 14 - 2419501 STUB END HOLDER ASSEMBLY
- 15 - 2463901 #824 HEATER SUPPORT BLOCK ASSEMBLY



## DRAWING REVISION HISTORY LISTING

**PART NO:** \_ASSY24

**DESCRIPTION:** #824 FUSION MACHINE GROUPING FOR 2400700 ASSEMBLIES

<u>APPR.</u>	<u>REV</u>	<u>DATE</u>	<u>BY</u>	<u>DESCRIPTION OF REVISION</u>
TLW	A	3/2/99	MLM	ADDED ITEMS TO DWG. FOR NEW CD.
LAA	B	6/8/02	ALK	REVISED TO ADD ITEM 15 2463901 #824 HEATER SUPPORT BLOCK ASSEMBLY.
LAA	C	08/23/02	BWW	REVISED ITEM 15 FROM 2463901 TO 3632501. CHANGED TO CONSOLIDATE PARTS.
LAA	D	10/30/02	ALK	REVISED ITEM 15 FROM 3632501 TO 2463901. CHANGE DUE TO MORE HEIGHT NEEDED TO SUPPORT HEATER.