



McElroy Manufacturing, Inc.

The leader by design.

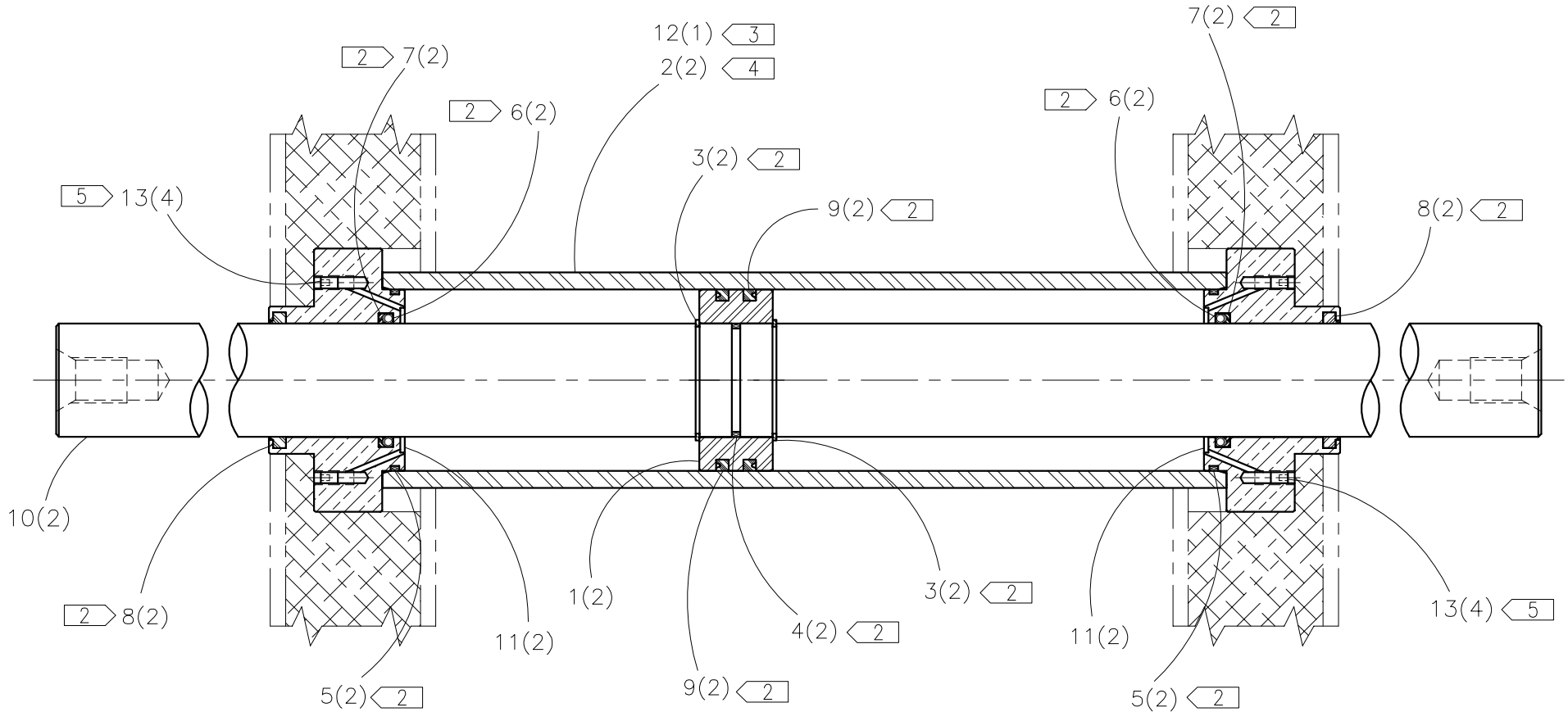
Tulsa, Oklahoma U.S.A.

DRAWN: TGW CHECK: BWP APPRV'D: SWB DATE: 3/3/98 DWG No: 3630000 SHT No: 2 REV No: A PART No: 3630002

#824A/#1236A MEDIUM FORCE CYLINDER ASSEMBLY SET

CAD No: 3630002

NOTE: THIS DRAWING AND THE INFORMATION CONTAINED THEREIN IS THE CONFIDENTIAL AND PROPRIETARY PROPERTY OF McElroy Manufacturing, Inc. THE DRAWING IS NOT TO BE REPRODUCED IN ANY MANNER, SUBMITTED TO OUTSIDE PARTIES FOR EXAMINATION, OR USED DIRECTLY OR INDIRECTLY FOR THE PURPOSES OTHER THAN THOSE FOR WHICH IT WAS FURNISHED WITHOUT WRITTEN PERMISSION OF McElroy Manufacturing, Inc.



#824A/#1236A MEDIUM FORCE CYLINDER ASSEMBLY SETParts List

ITEM	PART NO.	QTY.	DESCRIPTION
	3630002		ASSEMBLY
1	2419301	2	MEDIUM FORCE PISTON
2	2419403	2	MEDIUM FORCE CARRIAGE CYLINDER
3	MCB00015	4	EXT SNAP RING
4	MDL00007	2	O RING
5	MDL00011	4	O RING
6	MDL00036	4	SEAL
7	MDL00037	4	WASHER
8	MDL00038	4	SEAL
9	MDL00025	4	SEAL
10	2409402	2	HYDRAULIC CYLINDER PISTON ROD
11	2413602	4	HYDRAULIC CYLINDER ROD GLAND
12	816346	1	15.32 SQ. IN. TEPA LABEL
13	MFA00001	8	1MPT PLUG

NOTES:

1. TOTAL EFFECTIVE PISTON AREA = 15.32 SQ. IN.
2. ITEMS ARE INCLUDED IN SEAL KIT #A2424701
3. ITEM 12 LOCATED ON OPERATOR SIDE CYLINDER ONLY.
4. COLOR CODED "ORANGE"
5. INSTALL PLUGS TWO THREADS BELOW FLUSH.

DRAWING REVISION HISTORY LISTING

PART NO: 3630002

DESCRIPTION: #824A/#1236A MEDIUM FORCE CYLINDER ASSEMBLY SET

<u>APPR.</u>	<u>REV</u>	<u>DATE</u>	<u>BY</u>	<u>DESCRIPTION OF REVISION</u>
TLW	A	10/7/98	TGW	ADDED ITEM #13 1MPT PLUG (MFA00001) & NOTE 5.