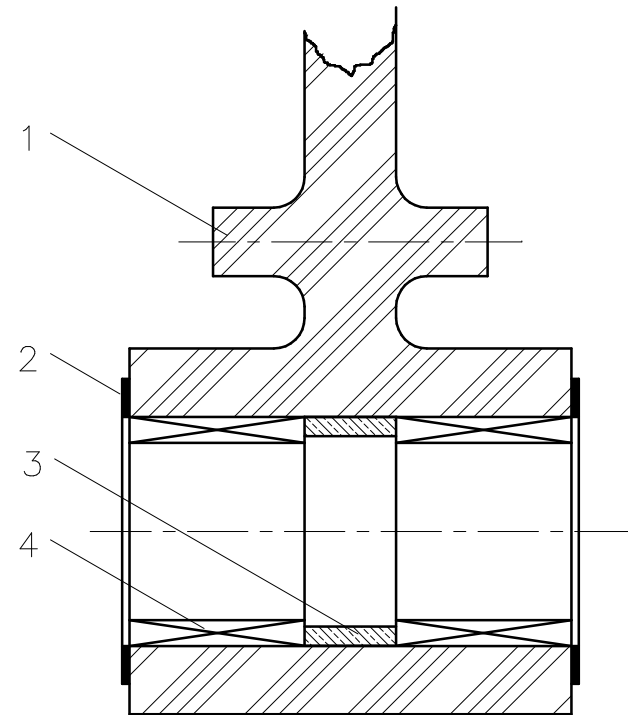
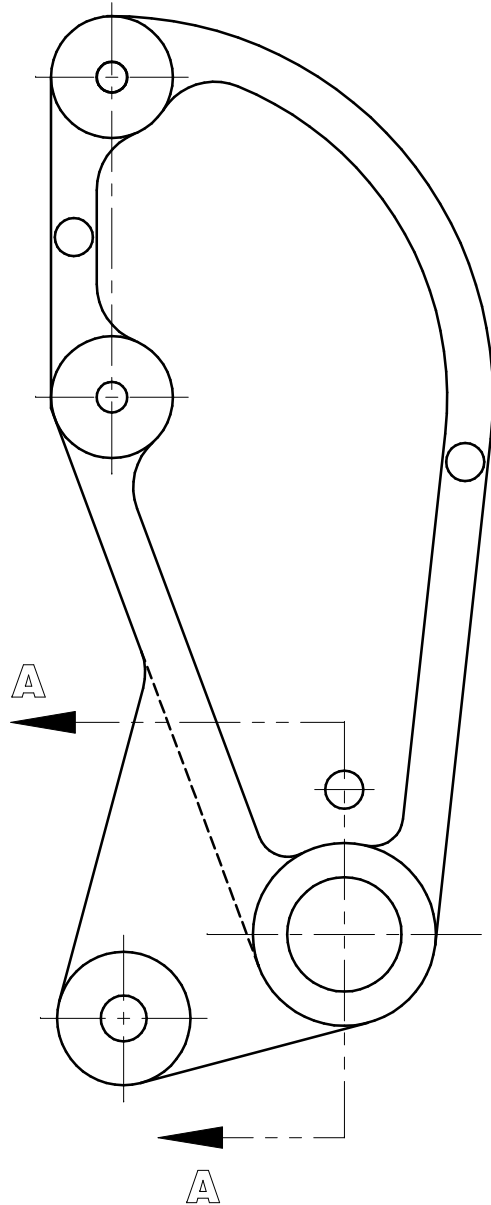




McElroy Manufacturing, Inc.
The leader by design.
Tulsa, Oklahoma U.S.A.

DRAWN: EAG	CHECK: BWP	APPRV'D: B	DATE: 1/11/96	DWG No: 2419700	SHT No: 5	REV No:	PART No: 2419705
#824A FACER PIVOT ARM ASSEMBLY							CAD No: 2419705

NOTE: THIS DRAWING AND THE INFORMATION CONTAINED THEREIN IS THE CONFIDENTIAL AND PROPRIETARY PROPERTY OF McElroy Manufacturing, Inc. THE DRAWING IS NOT TO BE REPRODUCED IN ANY MANNER, SUBMITTED OUTSIDE PARTIES FOR EXAMINATION, OR USED DIRECTLY OR INDIRECTLY FOR THE PURPOSES OTHER THAN THOSE FOR WHICH IT WAS FURNISHED WITHOUT WRITTEN PERMISSION OF McElroy Manufacturing, Inc.



SECTION A-A

#824A FACER PIVOT ARM ASSEMBLYParts List

ITEM	PART NO.	QTY.	DESCRIPTION
	2419705		ASSEMBLY
1	2419703	1	PIVOT ARM-FACER
2	3602206	2	OUTER SPACER-PIVOT ARM
3	3602207	1	INNER SPACER-PIVOT ARM
4	MDM00074	2	NEEDLE BEARING
