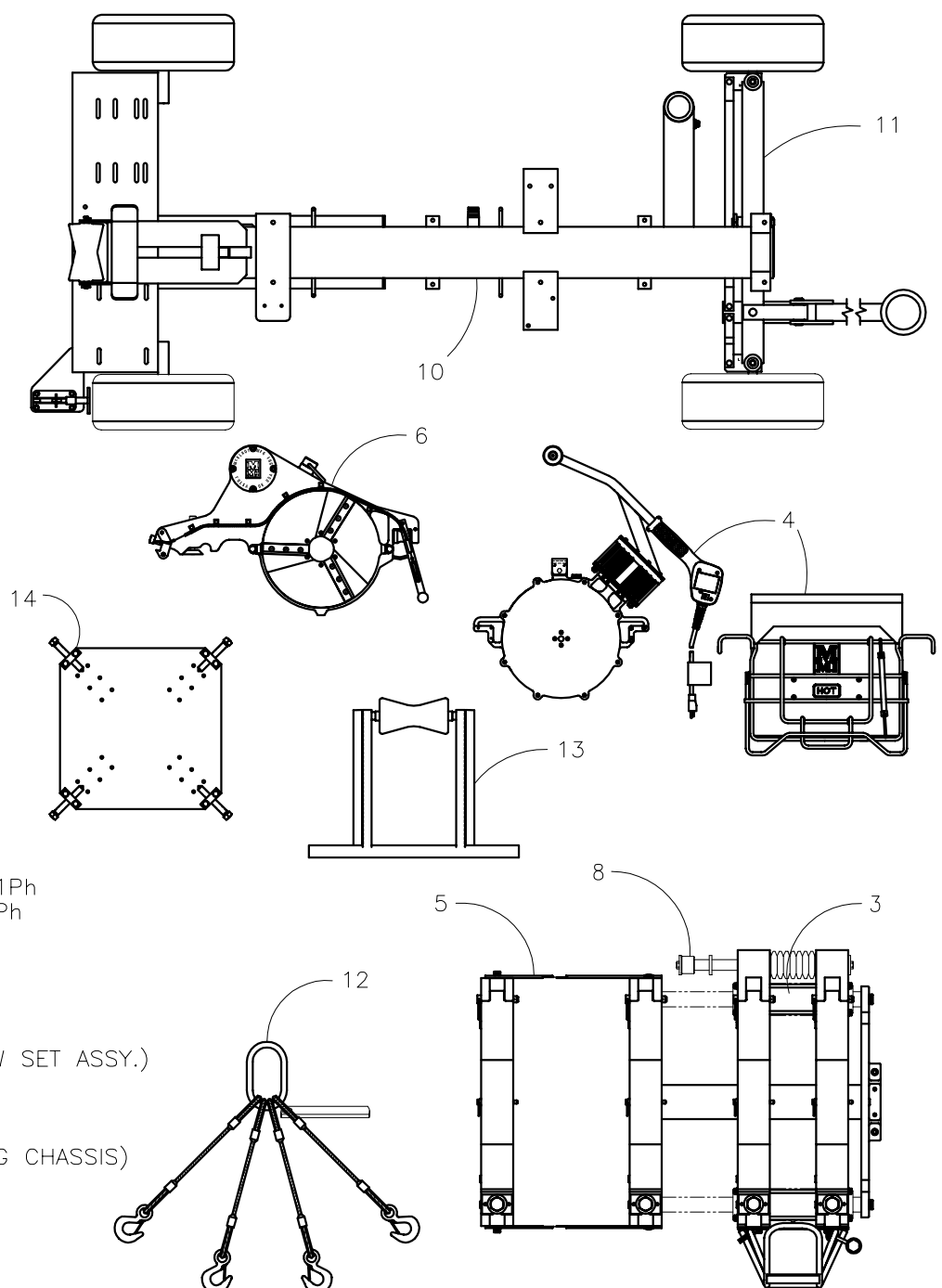
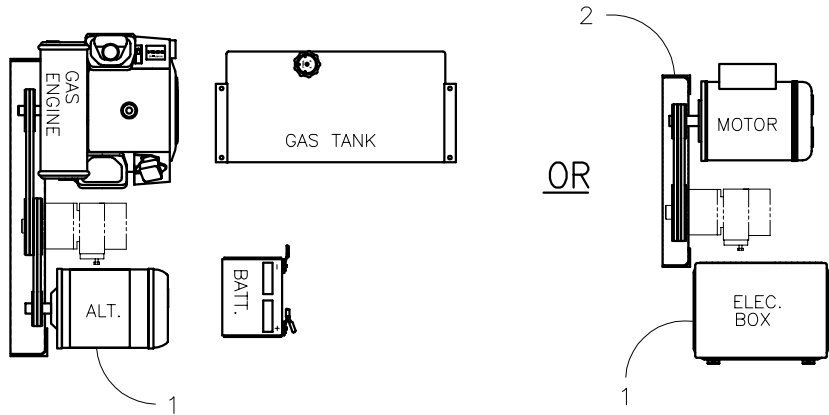




McElroy Manufacturing, Inc.
 The leader by design.
 Tulsa, Oklahoma U.S.A.

| | | | | | | | |
|--|------------|--------------|---------------|---------|---------|-----------|------------------|
| DRAWN: TLW | CHECK: TMT | APPRV'D: SWB | DATE: 1/27/97 | DWG No: | SHT No: | REV No: E | PART No: |
| #412/#618 FUSION MACHINE GROUPING FOR 1245000 & 1855600 ASSEMBLIES | | | | | | | CAD No: _ASY1218 |

NOTE: THIS DRAWING AND THE INFORMATION CONTAINED THEREIN IS THE CONFIDENTIAL AND PROPRIETARY PROPERTY OF McElroy Manufacturing, Inc. THE DRAWING IS NOT TO BE REPRODUCED IN ANY MANNER, SUBMITTED OUTSIDE PARTIES FOR EXAMINATION, OR USED DIRECTLY OR INDIRECTLY FOR THE PURPOSES OTHER THAN THOSE FOR WHICH IT WAS FURNISHED WITHOUT WRITTEN PERMISSION OF McElroy Manufacturing, Inc.



- 1 - 1243501 #412 ELECTRIC POWER ASSY. 240V, 60Hz, 3Ph
- 1 - 1243601 #412 ELECTRIC POWER ASSY. 220V, 50Hz, 3Ph
- 1 - 1243701 #412 ELECTRIC POWER ASSY. 415V, 50Hz, 3Ph
- 1 - 1823301 #618 ELECTRIC POWER ASSY. 240V, 60Hz, 3Ph
- 1 - 1823401 #618 ELECTRIC POWER ASSY. 220V, 50Hz, 3Ph
- 1 - 1823501 #618 ELECTRIC POWER ASSY. 415V, 50Hz, 3Ph
- 1 - 1823101 #412/#618 GAS POWER ASSY.
- 2 - 1824201 #412/#618 ELECTRIC BELT DRIVE ASSY.
- 3 - 1822501 #412/#618 HIGH FORCE CYL. ASSY. SET (STD)
- 3 - 1822601 #412/#618 MEDIUM FORCE CYL. ASSY. SET (HV)
- 3 - 1856801 #412/#618 LOW FORCE CYL. ASSY. SET (XHV)
- 4 - 1242112 #412 HEATER ASSEMBLY 220-240V, 50/60Hz, 1Ph
- 4 - 1852019 #618 HEATER ASSEMBLY (12"/18") 220-240V,50/60Hz,1Ph
- 4 - 1855502 #618 HEATER ASSEMBLY (6"/12") 220-240V,50/60Hz,1Ph
- 5 - 1243201 #412 DIPS JAW SET ASSEMBLY
- 5 - 1822301 #618 JAW SET ASSEMBLY
- 6 - 1231503 #412 DIPS FACER ASSEMBLY
- 6 - 1834101 #618 FACER ASSEMBLY
- 7 - 1822801 #412/#618 HYDRAULIC SCHEMATIC (NOT SHOWN)
- 8 - 1824001 #412/#618 FACER PIVOT SHAFT ASSY (INCLUDED IN JAW SET ASSY.)
- 9 - 1243301 #412 PLUMBING SCHEMATIC (NOT SHOWN)
- 9 - 1822901 #618 PLUMBING SCHEMATIC (NOT SHOWN)
- 10 - 1822101 #412/#618 GAS/ELECTRIC ROLLING CHASSIS ASSEMBLY
- 11 - 1822001 #412/#618 FRONT AXLE ASSEMBLY(INCLUDED IN ROLLING CHASSIS)
- 12 - 1801401 #412/#618 LIFTING SLING
- 13 - 1223201 #412/#618 PIPE STAND ASSEMBLY
- 14 - 1214601 #412 STUB END HOLDER ASSEMBLY
- 14 - 1808504 #618/TracStar 500 STUB END HOLDER ASSEMBLY

DRAWING REVISION HISTORY LISTING

PART NO: _ASY1218

DESCRIPTION: #412/#618 FUSION MACHINE GROUPING FOR 1245000 & 1855600 ASSEMBLIES

| <u>APPR.</u> | <u>REV</u> | <u>DATE</u> | <u>BY</u> | <u>DESCRIPTION OF REVISION</u> |
|--------------|------------|-------------|-----------|--|
| TLW | A | 02/02/98 | JPS | ADDED INCLUDED NOTES UNDER CALLOUTS FOR ELECTRIC BELT DRIVE ASSY, FRONT AXLE ASSY, & FACER PIVOT SHAFT ASSY. CORRECTED DESCRIPTION OF 1824201 ELECTRIC BELT DRIVE ASSY, FROM ELECTRIC BELT GUARD ASSY. |
| TLW | B | 3/2/99 | MLM | ADDED ITEMS TO DWG. FOR NEW CD. |
| TLW | C | 04/26/01 | BWW | REVISED TO ADD ITEMS #14 1214601 AND 1808501 STUB END HOLDER ASSEMBLIES. |
| MLM | D | 1/24/02 | RLE | REVISED 1808501 #618 STUB END HOLDER ASSEMBLY TO 1808504 #618/TracStar 500 STUB END HOLDER ASSEMBLY. |
| TMT | E | 05/14/02 | BWW | REVISED TO REPLACE 1242101 WITH 1242112, 1852001 WITH 1852019, AND 1855501 WITH 1855502 TO SHOW NEW HEATER ASSEMBLIES WITH ELECTRONIC CONTROL. |