

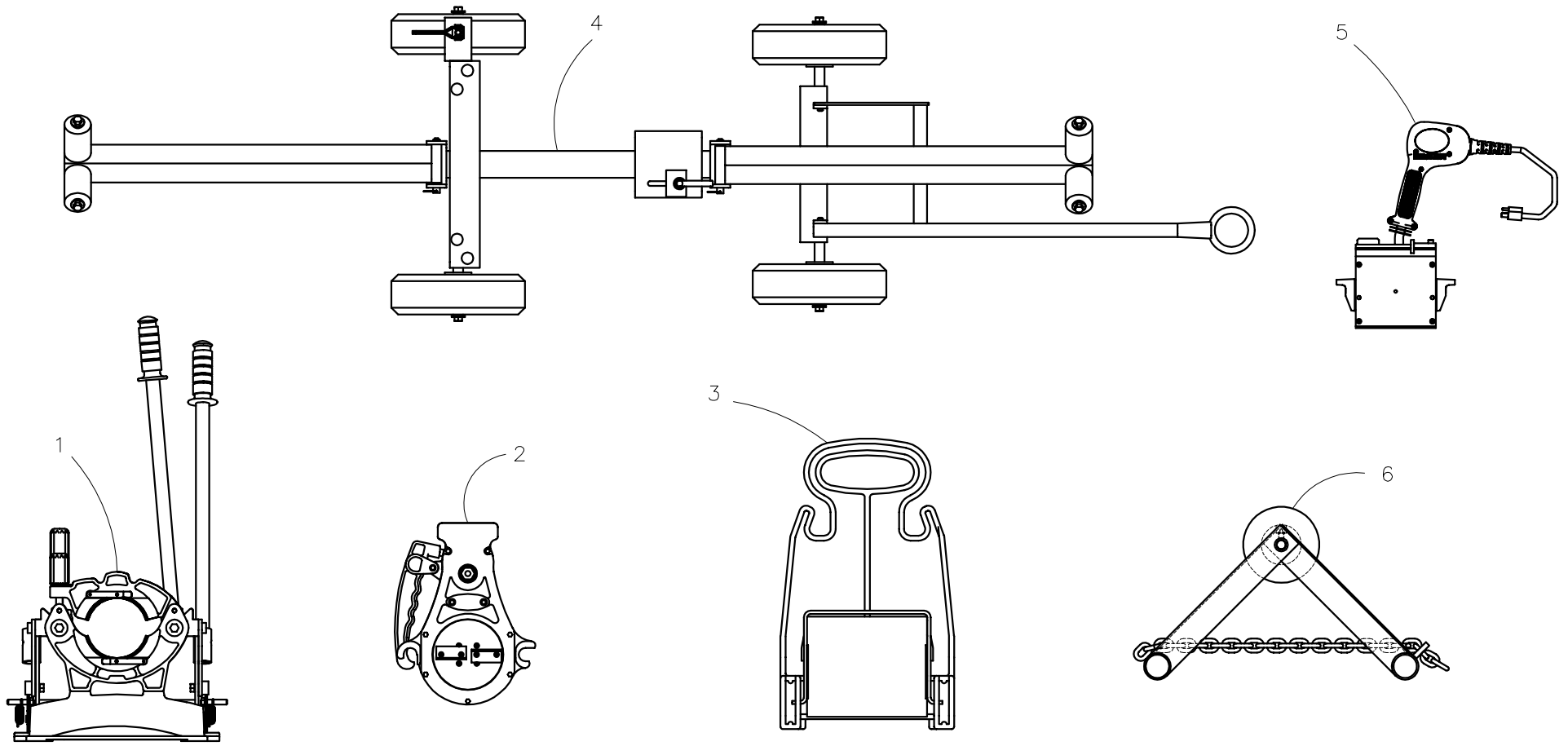


**McElroy Manufacturing, Inc.**  
 The leader by design.  
 Tulsa, Oklahoma U.S.A.

DRAWN: BWW	CHECK: TMT	APPRV'D: JRP	DATE: 7/27/00	DWG No:	SHT No:	REV No: B	PART No:
PitBull® #14 FUSION MACHINE GROUPING FOR 430100 ASSEMBLIES							CAD No: _ASY14PB

NOTE: THIS DRAWING AND THE INFORMATION CONTAINED THEREIN IS THE CONFIDENTIAL AND PROPRIETARY PROPERTY OF McElroy Manufacturing, Inc. THE DRAWING IS NOT TO BE REPRODUCED IN ANY MANNER, SUBMITTED OUTSIDE PARTIES FOR EXAMINATION, OR USED DIRECTLY OR INDIRECTLY FOR THE PURPOSES OTHER THAN THOSE FOR WHICH IT WAS FURNISHED WITHOUT WRITTEN PERMISSION OF McElroy Manufacturing, Inc.

- 1 - 430101 PitBull® #14 FUSION MACHINE ASSEMBLY
- 2 - 433701 PitBull® #14 FACER ASSEMBLY 100-120V, 50/60Hz, 1Ph
- 2 - 433702 PitBull® #14 FACER ASSEMBLY 200-240V, 50/60Hz, 1Ph
- 3 - 433104 PitBull® #14 HEATER/FACER STAND ASSEMBLY
- 4 - 434001 PitBull® #14 CART ASSEMBLY
- 5 - A424317 PitBull® #14 BUTT PLATE HEATER KIT 100-120V, 50/60Hz, 1Ph (INCLUDES 424317 W/ BUTT PLATES)
- 5 - A424318 PitBull® #14 BUTT PLATE HEATER KIT 200-240V, 50/60Hz, 1Ph (INCLUDES 424318 W/ BUTT PLATES)
- 6 - 422801 #14 PIPE STAND ASSEMBLY



## DRAWING REVISION HISTORY LISTING

**PART NO:** \_ASY14PB

**DESCRIPTION:** Pit Bull #14 FUSION MACHINE GROUPING FOR 430100 ASSEMBLIES

<u>APPR.</u>	<u>REV</u>	<u>DATE</u>	<u>BY</u>	<u>DESCRIPTION OF REVISION</u>
TMT	A	05/14/02	BWW	REVISED TO REPLACE A424304 WITH A424313 AND A424305 WITH A424314 TO SHOW NEW HEATER WITH ELECTRONIC CONTROL.
SWB	B	08/22/05	BWW	UPDATED ITEM 5 TO NEW STYLE HEATER WITH SHORTER HANDLE.