



McElroy Manufacturing, Inc.  
The leader by design.  
Tulsa, Oklahoma U.S.A.

DRAWN: TLW

CHECK: BWP

APPRV'D: B

DATE: 5/17/95

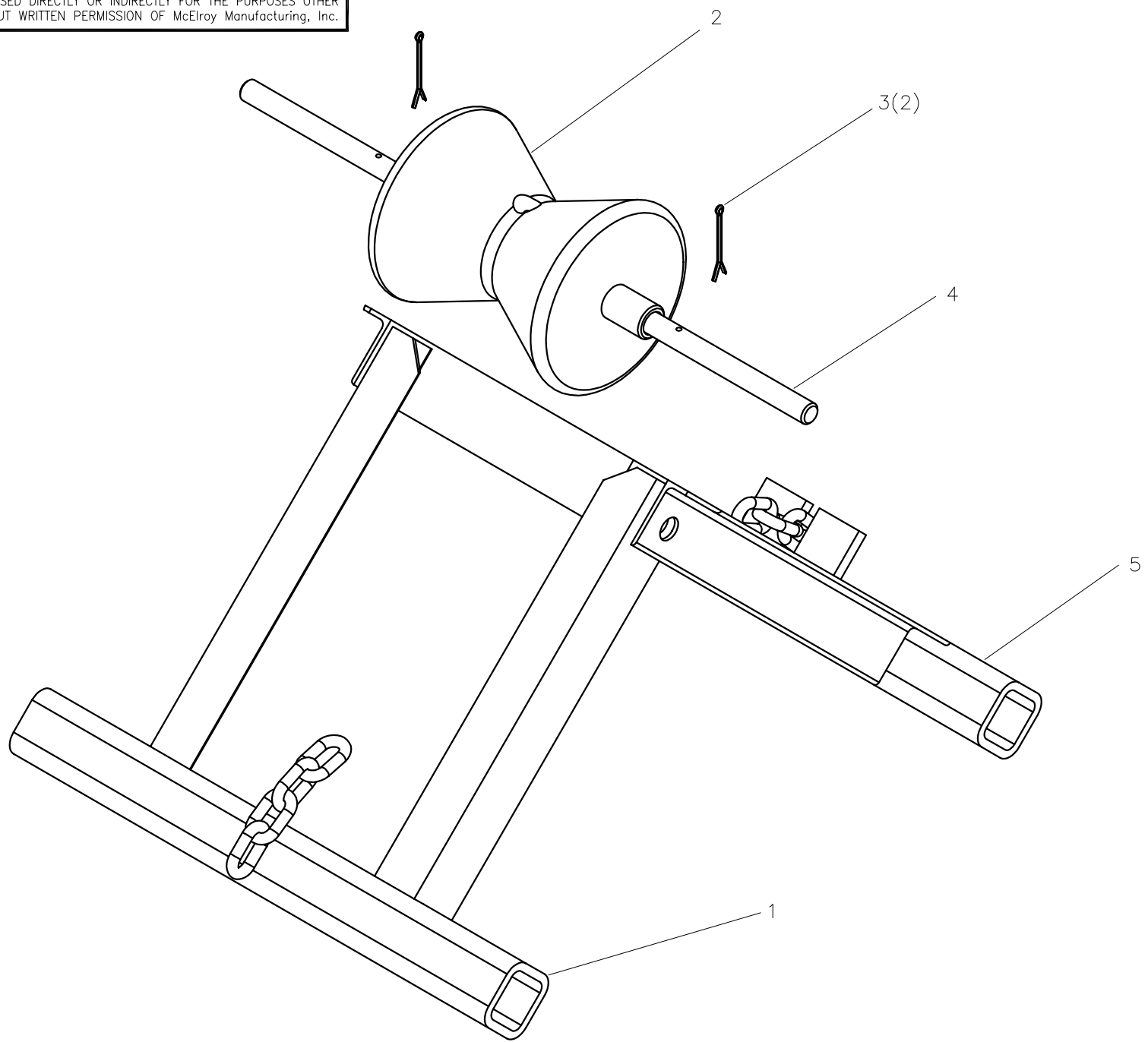
SHT No: 1

REV No: B

PART No: 422801

### #14 PIPE STAND ASSEMBLY

NOTE: THIS DRAWING AND THE INFORMATION CONTAINED THEREIN IS THE CONFIDENTIAL AND PROPRIETARY PROPERTY OF McElroy Manufacturing, Inc. THE DRAWING IS NOT TO BE REPRODUCED IN ANY MANNER, SUBMITTED OUTSIDE PARTIES FOR EXAMINATION, OR USED DIRECTLY OR INDIRECTLY FOR THE PURPOSES OTHER THAN THOSE FOR WHICH IT WAS FURNISHED WITHOUT WRITTEN PERMISSION OF McElroy Manufacturing, Inc.



**#14 PIPE STAND ASSEMBLY**PARTS LIST

ITEM	PART NO.	QTY	DESCRIPTION
	<b>422801</b>	<b>1</b>	<b>Assembly</b>
1	422901	1	#14 PIPE STAND INNER LEG
2	812401	1	PIPE STAND ROLLER ASSEMBLY
3	MCH00004	2	1/8" Dia. x 1-1/4" Lg. Cotter Pin
4	812601	1	PIPE ROLLER SHAFT
5	423001	1	#14 PIPE STAND OUTER LEG

## DRAWING REVISION HISTORY LISTING

**PART NO:** 422801  
**DESCRIPTION:** #14 PIPE STAND ASSEMBLY

<u>APPR.</u>	<u>REV</u>	<u>DATE</u>	<u>BY</u>	<u>DESCRIPTION OF REVISION</u>
B	A	5/17/95	TLW	SCANNED & REDUCED TO 'A' SIAE FORMAT. CREATED TYPED PARTS LIST.
SWB	B	06/02/05	BWW	CREATED ISOMETRIC VIEW FOR CLARITY.