



McElroy Manufacturing, Inc.

The leader by design.

Tulsa, Oklahoma U.S.A.

DRAWN: TLW

CHECK: SWB

APPRV'D: B

DATE: 10/28/96

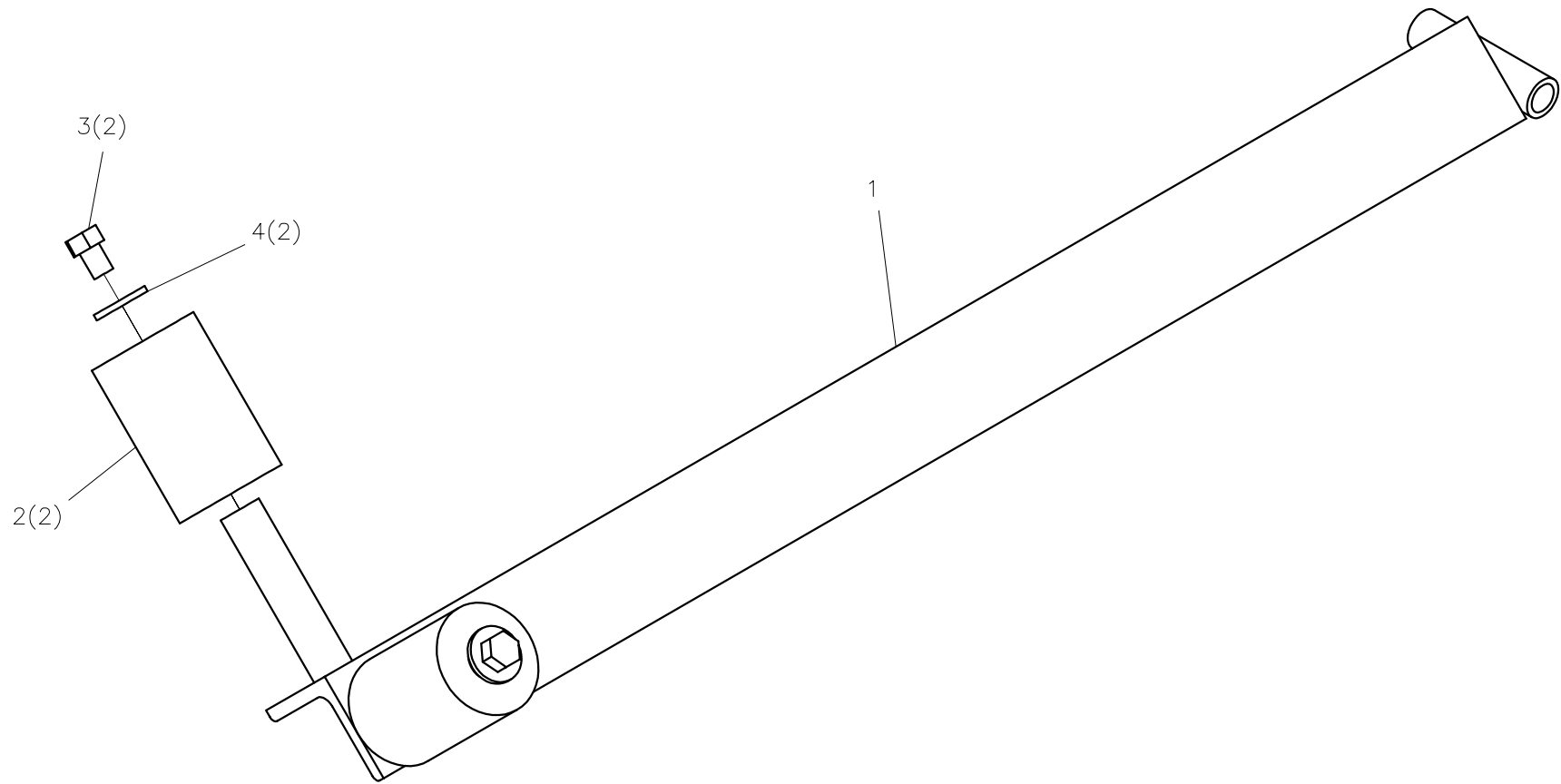
SHT No: 1

REV No: R

PART No: 405301

OUTRIGGER ASSEMBLY

NOTE: THIS DRAWING AND THE INFORMATION CONTAINED THEREIN IS THE CONFIDENTIAL AND PROPRIETARY PROPERTY OF McElroy Manufacturing, Inc. THE DRAWING IS NOT TO BE REPRODUCED IN ANY MANNER, SUBMITTED OUTSIDE PARTIES FOR EXAMINATION, OR USED DIRECTLY OR INDIRECTLY FOR THE PURPOSES OTHER THAN THOSE FOR WHICH IT WAS FURNISHED WITHOUT WRITTEN PERMISSION OF McElroy Manufacturing, Inc.



OUTRIGGER ASSEMBLYPARTS LIST

ITEM	PART NO.	QTY	DESCRIPTION
	405301		Assembly
1	405302	1	OUTRIGGER WELDMENT
2	405303	2	OUTRIGGER ROLLER
3	MAB00062	2	3/8-16NC x 1/2 LG HHCS
4	MBF00007	2	3/8 TYPE 'A' WIDE FLAT WASHER

DRAWING REVISION HISTORY LISTING

PART NO: 405301
DESCRIPTION: OUTRIGGER ASSEMBLY

<u>APPR.</u>	<u>REV</u>	<u>DATE</u>	<u>BY</u>	<u>DESCRIPTION OF REVISION</u>
SWB	Q	10/28/96	TLW	REDRAWN TO 'A' SIZE FORMAT.
SWB	R	06/01/05	BWW	CREATED EXPLODED ISOMETRIC VIEW FOR CLARITY.