

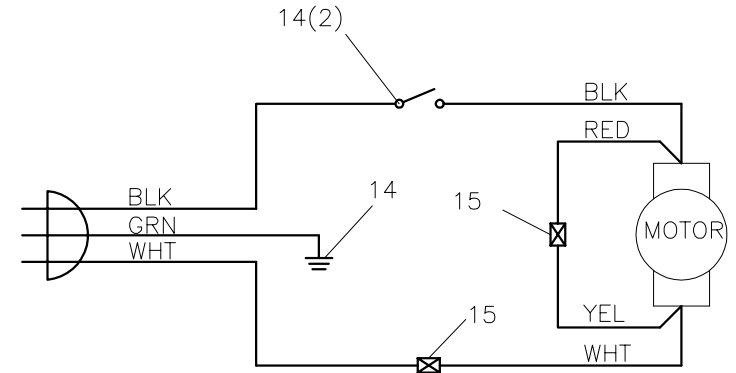
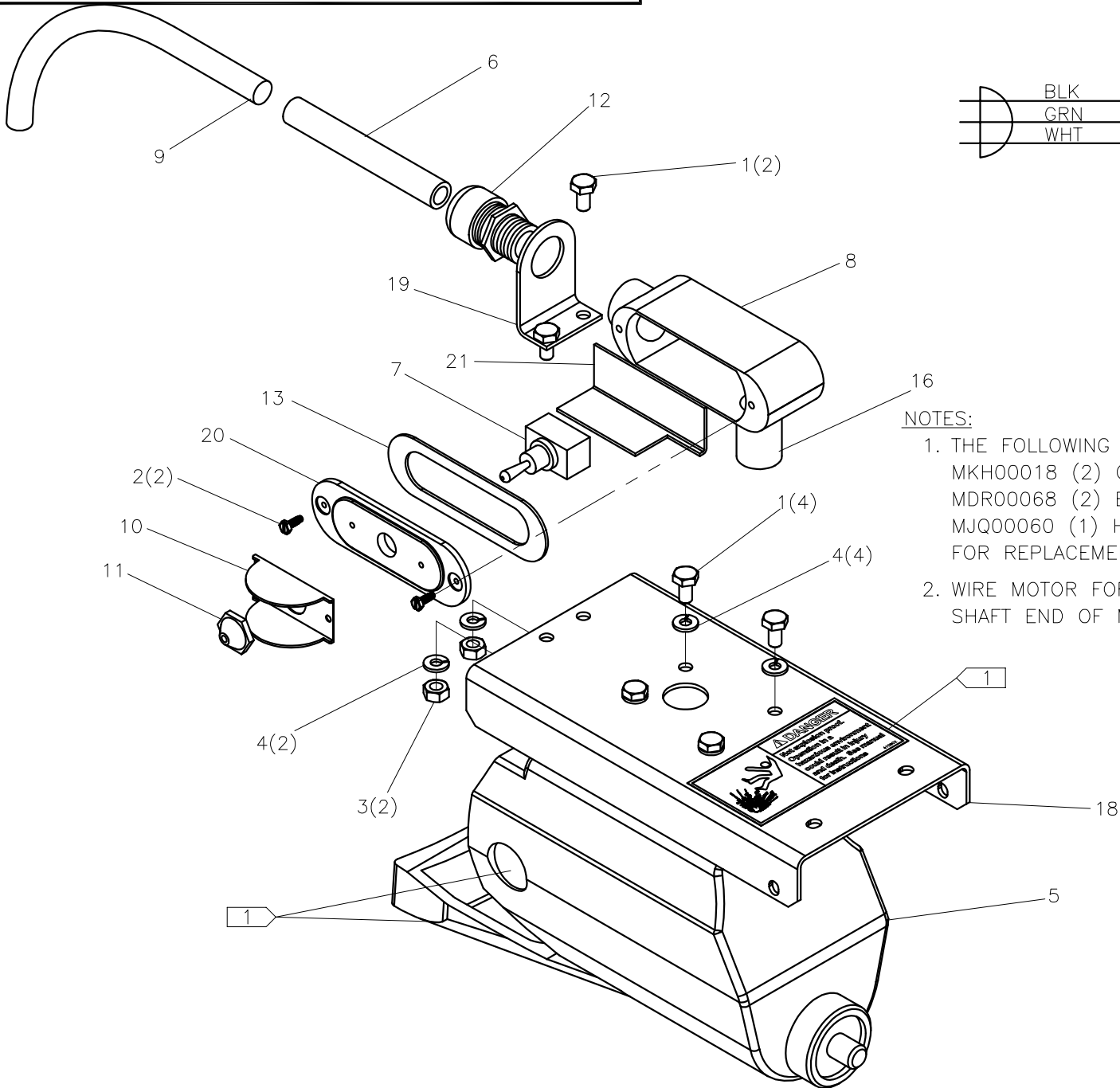


McElroy Manufacturing, Inc.
 The leader by design.
 Tulsa, Oklahoma U.S.A.

DRAWN: BWW CHECK: TLW APPRV'D: SWB DATE: 10/23/00 SHT No: 1 REV No: D PART No: A424101

#14 BM FACER MOTOR ASSEMBLY 100-120V, 50/60Hz 1Ph

NOTE: THIS DRAWING AND THE INFORMATION CONTAINED THEREIN IS THE CONFIDENTIAL AND PROPRIETARY PROPERTY OF McElroy Manufacturing, Inc. THE DRAWING IS NOT TO BE REPRODUCED IN ANY MANNER, SUBMITTED OUTSIDE PARTIES FOR EXAMINATION, OR USED DIRECTLY OR INDIRECTLY FOR THE PURPOSES OTHER THAN THOSE FOR WHICH IT WAS FURNISHED WITHOUT WRITTEN PERMISSION OF McElroy Manufacturing, Inc.



NOTES:

1. THE FOLLOWING PARTS ARE AVAILABLE FOR THE MOTOR:
 MKH00018 (2) CARBON BRUSH
 MDR00068 (2) BRUSH CAP
 MJQ00060 (1) HANDLE
 FOR REPLACEMENT LABEL USE 410902.
2. WIRE MOTOR FOR COUNTER-CLOCKWISE ROTATION FACING SHAFT END OF MOTOR.

**#14 BM FACER MOTOR ASSEMBLY
100-120V, 50/60Hz, 1Ph**

Parts List

ITEM	PART NO.	QTY.	DESCRIPTION
	A424101		ASSEMBLY
1	MAB00002	6	1/4-20NC X 1/2 LG HHCS
2	MAH00036	2	#6-32NC X 3/8 LG
3	MBA00005	2	1/4-20NC FINISH HEX NUT
4	MBE00005	6	1/4 REGULAR SPLIT LOCK WASHER
5	MDB00012	1	1/2 HP UNIVERSAL MOTOR
6	MHA00009	4"	3/8 I.D. X 9/16 O.D. AIR HOSE
7	MKE00001	1	SWITCH
8	MLA00014	1	1/2 CONDULET 'LL'
9	MLE00017	1	#16/3 ELECTRICAL CABLE ASSEMBLY X 20FT.
10	MLG00001	1	SWITCH GUARD
11	MLH00001	1	SWITCH BOOT
12	MLK00007	1	STRAIN RELIEF CONNECTOR
13	MLK00010	1	1/2 GASKET
14	MLM00001	3	RING TERMINAL
15	MLM00003	2	INSULATED BUTT SPLICE
16	MLN00026	1	1/2" NPT CHASE NIPPLE
17			
18	417501	1	MOTOR COVER
19	418001	1	SWITCH BOX LOCKING BRACKET
20	418101	1	SWITCH COVER MODIFICATION
21	424201	1	INSULATOR GASKET

DRAWING REVISION HISTORY LISTING

PART NO: A424101

DESCRIPTION: #14 BM FACER MOTOR ASSEMBLY 100-120V, 50/60Hz, 1Ph

<u>APPR.</u>	<u>REV</u>	<u>DATE</u>	<u>BY</u>	<u>DESCRIPTION OF REVISION</u>
SWB	A	4/10/01	RLE	ADDED NOTE #1.
SWB	B	12/20/01	KWB	ADDED NOTE #2 FOR WIRE MOTOR MOVED FROM 433701 ASSEMBLY DRAWING.
RAD	C	1/8/02	BEA	ADDED RED AND YELLOW MOTOR WIRES AND ITEM 17 MLM00003 QTY 1 TO MATCH AS BUILT CONDITION.
SWB	D	06/01/05	BWW	REMOVED ITEM 17 410902 WHICH IS NOW CALLED OUT ON 417501 TO ENSURE LABEL IS INCLUDED ON SERVICE PART. UPDATED NOTE 1 FOR ORDERING REPLACEMENT LABEL. CREATED ISOMETRIC VIEW FOR CLARITY.