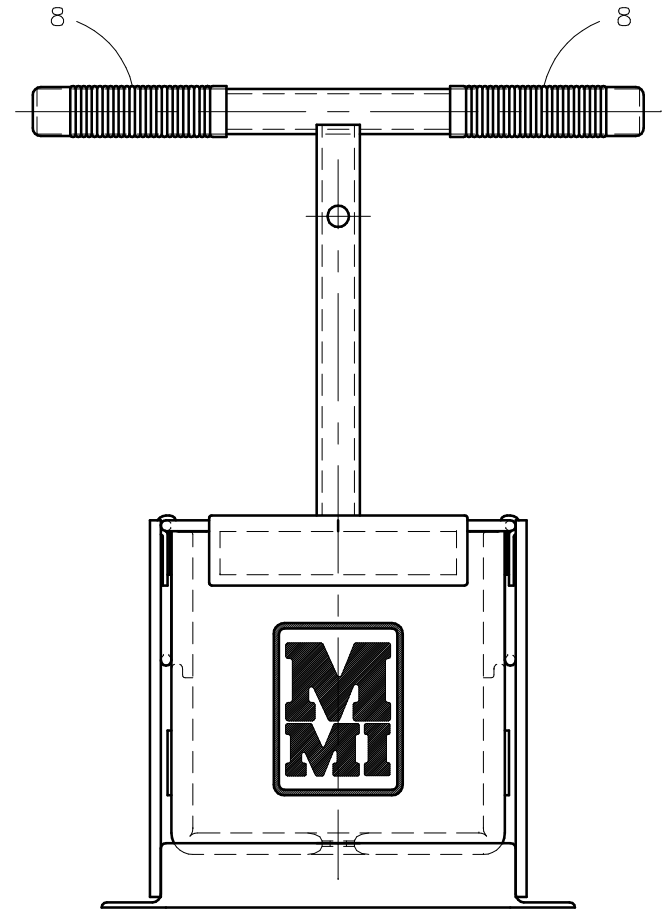
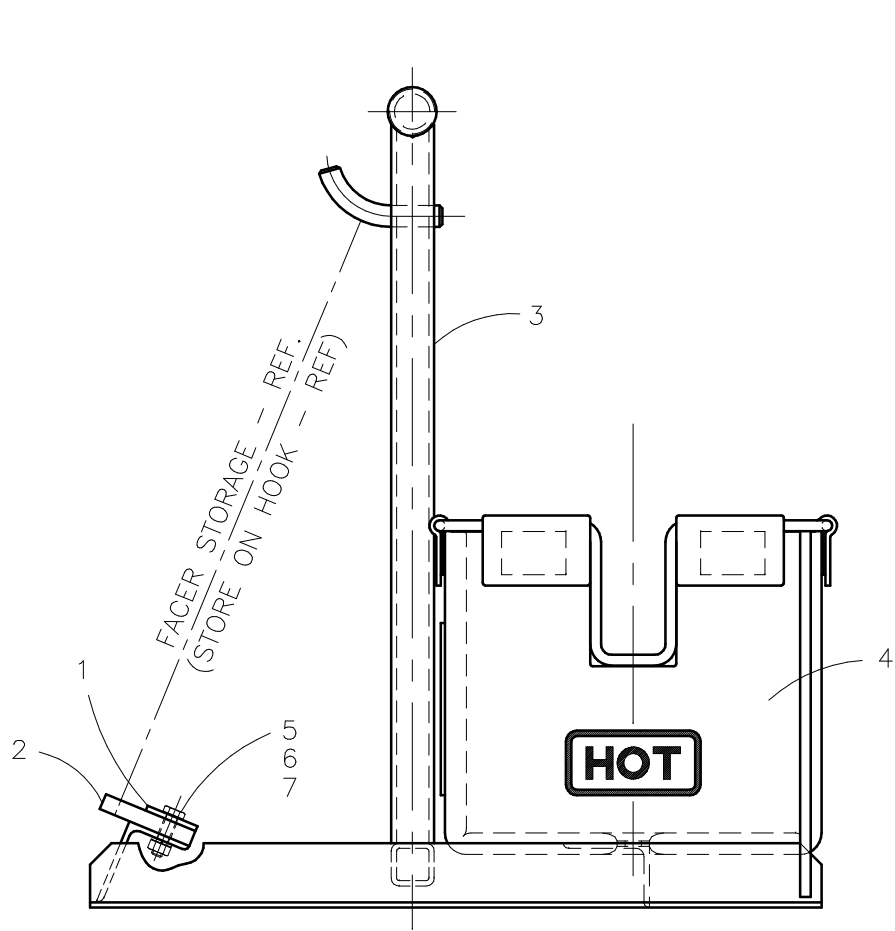




McElroy Manufacturing, Inc.
The leader by design.
Tulsa, Oklahoma U.S.A.

DRAWN: SS	CHECK: BWP	APPRV'D: SWB	DATE: 11/26/96	DWG No: 414000	SHT No: 7	REV No: B	PART No: 414016
#14 HEATER/FACER STAND ASSEMBLY							CAD No: 414016

NOTE: THIS DRAWING AND THE INFORMATION CONTAINED THEREIN IS THE CONFIDENTIAL AND PROPRIETARY PROPERTY OF McElroy Manufacturing, Inc. THE DRAWING IS NOT TO BE REPRODUCED IN ANY MANNER, SUBMITTED OUTSIDE PARTIES FOR EXAMINATION, OR USED DIRECTLY OR INDIRECTLY FOR THE PURPOSES OTHER THAN THOSE FOR WHICH IT WAS FURNISHED WITHOUT WRITTEN PERMISSION OF McElroy Manufacturing, Inc.



#14 HEATER/FACER STAND ASSEMBLYPARTS LIST

ITEM	PART NO.	QTY	DESCRIPTION
	414016	1	Assembly
1	414005	1	BUMPER RETAINER
2	414006	1	BUMPER
3	414014	1	4"INSULATED HEATER/FACER STAND
4	414015	1	HEATER BAG
5	MAA00004	3	1/4-20NC X 1"LG HHCS GR2 STL PL
6	MBA00005	3	1/4-20NC FINISHED HEX NUT STL
7	MBE00005	3	1/4" REG SPLIT LK WASHER STL PL
8	MJJ00002	2	HAND GRIP

DRAWING REVISION HISTORY LISTING

PART NO: 414016

DESCRIPTION: HEATER/FACER STAND ASSEMBLY

<u>APPR.</u>	<u>REV</u>	<u>DATE</u>	<u>BY</u>	<u>DESCRIPTION OF REVISION</u>
SWB	B	11/16/96	SS	REDRAW TO 'A' SIZE