



McElroy Manufacturing, Inc.

The leader by design.

Tulsa, Oklahoma U.S.A.

DRAWN: KWB

CHECK: BWP

APPRVD: MLM

DATE: 9/13/01

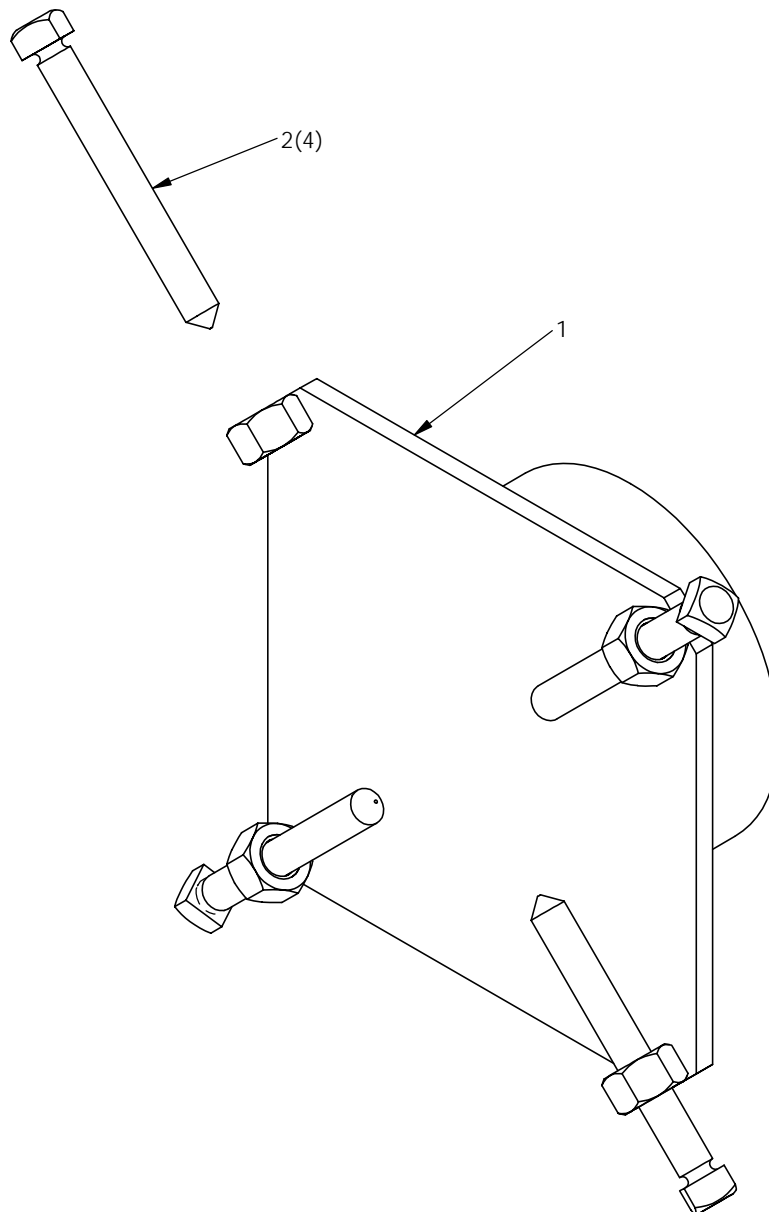
SHT No: 1

REV No: M

PART No: 410601

# 14 STUB END HOLDER ASSEMBLY

NOTE: THIS DRAWING AND THE INFORMATION CONTAINED THEREIN IS THE CONFIDENTIAL AND PROPRIETARY PROPERTY OF McElroy Manufacturing, Inc. THE DRAWING IS NOT TO BE REPRODUCED IN ANY MANNER, SUBMITTED TO OUTSIDE PARTIES FOR EXAMINATION, OR USED DIRECTLY OR INDIRECTLY FOR THE PURPOSES OTHER THAN THOSE FOR WHICH IT WAS FURNISHED WITHOUT WRITTEN PERMISSION OF McElroy Manufacturing, Inc.



**#14 STUB END HOLDER ASSEMBLY**PARTS LIST

---

ITEM	PART NO.	QTY	DESCRIPTION
	<b>410601</b>		<b>Assembly</b>
1	410602	1	STUB END HOLDER WELDMENT
2	805703	4	STUB AND HOLDER ADJUSTMENT SCREW

---

## DRAWING REVISION HISTORY LISTING

**PART NO:** 410601

**DESCRIPTION:** #14 STUB END HOLDER ASSEMBLY

<u>APPR.</u>	<u>REV</u>	<u>DATE</u>	<u>BY</u>	<u>DESCRIPTION OF REVISION</u>
MLM	K	09/13/01	KWB	REDRAWN TO 'A' SIZE MOVED 410602 WELDMENT TO SHEET 2.
MLM	L	8/1/03	ALK	CORRECTED ITEM CALL-OUT FROM a & b TO 1 & 2.
SWB	M	06/02/05	BWW	CREATED ISOMETRIC VIEW FOR CLARITY.