



McElroy Manufacturing, Inc.

The leader by design.

Tulsa, Oklahoma U.S.A.

DRAWN: MLM

CHECK: SWB

APPRVD: SWB

DATE: 3/9/04

SHT No: 1

REV No: A

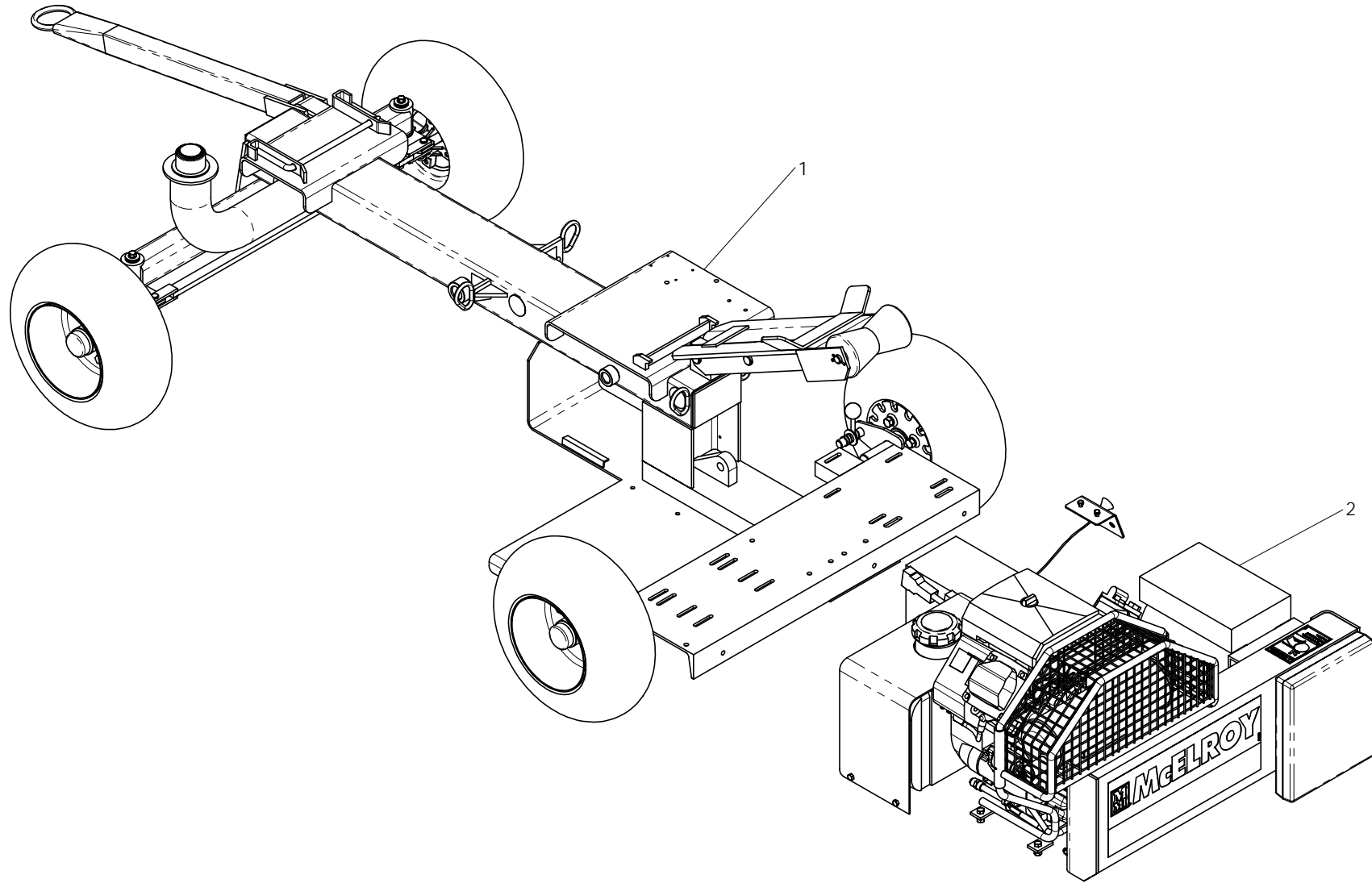
PART No: 1869801

412/# 618 GAS ROLLING POWER ASSEMBLY

NOTE: THIS DRAWING AND THE INFORMATION CONTAINED THEREIN IS THE CONFIDENTIAL AND PROPRIETARY PROPERTY OF McElroy Manufacturing, Inc. THE DRAWING IS NOT TO BE REPRODUCED IN ANY MANNER, SUBMITTED TO OUTSIDE PARTIES FOR EXAMINATION, OR USED DIRECTLY OR INDIRECTLY FOR THE PURPOSES OTHER THAN THOSE FOR WHICH IT WAS FURNISHED WITHOUT WRITTEN PERMISSION OF McElroy Manufacturing, Inc.

NOTES:

1. SEE DRAWING 1869301 **ITEM #3** FOR HYDRAULIC SCHEMATIC LAYOUT AND COMPONENTS.
2. SEE DRAWING 1869201 **ITEM #4** FOR PLUMBING SCHEMATIC LAYOUT AND COMPONENTS.



#412/#618 GAS ROLLING POWER ASSEMBLYParts List

ITEM	PART NO.	QTY.	DESCRIPTION
	1869801		ASSEMBLY
1	1869501	1	#412/#618 GAS/ELECTRIC ROLLING CHASSIS ASSEMBLY
2	1869701	1	#412/#618 GAS POWER ASSEMBLY
3	1869301	1	#412/#618 HYDRAULIC SCHEMATIC
4	1869201	1	#412/#618 GAS PLUMBING SCHEMATIC

DRAWING REVISION HISTORY LISTING

PART NO: 1869801
DESCRIPTION: #412/#618 GAS ROLLING POWER ASSEMBLY

<u>APPR.</u>	<u>REV</u>	<u>DATE</u>	<u>BY</u>	<u>DESCRIPTION OF REVISION</u>
SWB	A	06/17/05	BWW	CREATED ISOMETRIC VIEW AND ADDED NOTES 1 AND 2 FOR COMPONENTS NOT SHOWN. REVISED DESCRIPTION TO ROLLING POWER ASSEMBLY FOR CLARIFICATION.