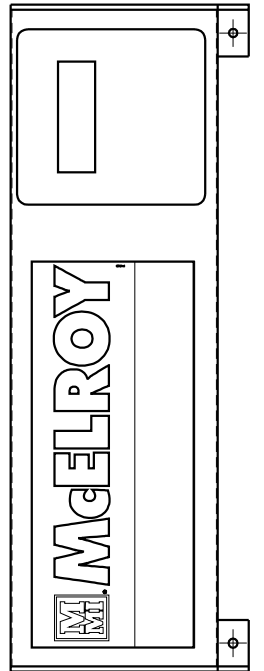


71

81

(2)



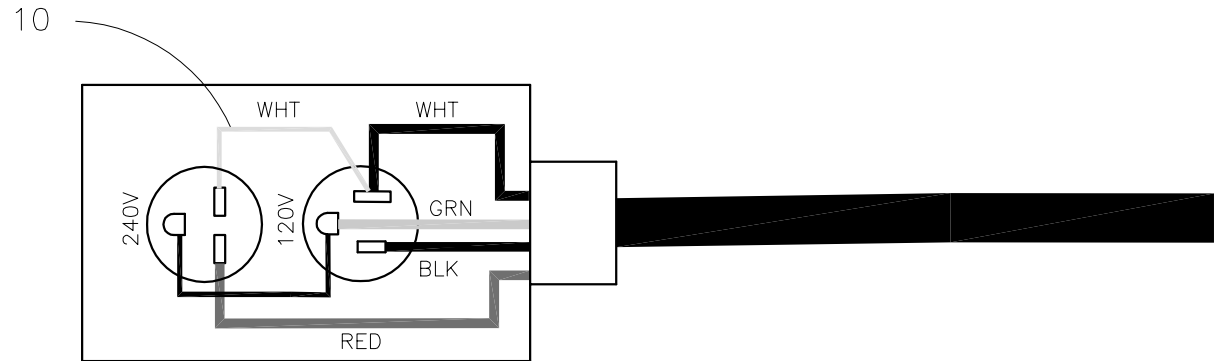
38  
LOCATE APPROX.  
AS SHOWN



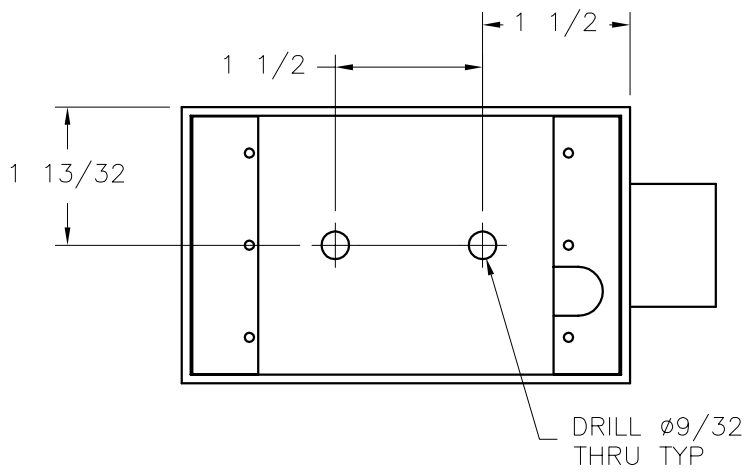
**McElroy Manufacturing, Inc.**  
 The leader by design.  
 Tulsa, Oklahoma U.S.A.

DRAWN: BWW	CHECK: BLM	APPRV'D: SWB	DATE: 07/29/03	DWG No: 1869700	SHT No: 1B	REV No: F	PART No: 1869701
#412/#618 GAS POWER ASSEMBLY							CAD No: 1869701

NOTE: THIS DRAWING AND THE INFORMATION CONTAINED THEREIN IS THE CONFIDENTIAL AND PROPRIETARY PROPERTY OF McElroy Manufacturing, Inc. THE DRAWING IS NOT TO BE REPRODUCED IN ANY MANNER, SUBMITTED OUTSIDE PARTIES FOR EXAMINATION, OR USED DIRECTLY OR INDIRECTLY FOR THE PURPOSES OTHER THAN THOSE FOR WHICH IT WAS FURNISHED WITHOUT WRITTEN PERMISSION OF McElroy Manufacturing, Inc.



5 ITEM 31 WIRING



ITEM 34 MODIFICATION

**#412/#618 GAS POWER ASSEMBLY**Parts List

ITEM	PART NO.	QTY.	DESCRIPTION
	<b>1869701</b>		<b>ASSEMBLY</b>
1	MAB00064	4	3/8-16NC x 1" LG. HHCS
2	MAB00066	6	3/8-16NC x 1-1/2 LG. HHCS
3	MAH00109	4	1/4-20NC x 3/4 LG. HWH THREAD CUT SCREW SS
4	MBA00005	2	1/4-20NC FINISHED HEX NUT
5	MBA00007	10	3/8-16NC FINISHED HEX NUT
6	MBE00005	2	1/4 REGULAR SPLIT LOCK WASHER
7	MBE00007	10	3/8 REGULAR SPLIT LOCK WASHER
8	MBF00007	4	3/8 TYPE 'A' WIDE FLAT WASHER
9	MBG00031	4	1/4 FENDER WASHER
10	MLL00052	.3ft.	#14 MTW/TEW WIRE, WHITE
11	MDA00034	1	18hp GAS ENGINE
12	<b>T1201701</b>	<b>1</b>	<b>GENERATOR WITH WIRING ASSEMBLY</b>
13	MDD00005	1	V-GROOVE SHEAVE, 3V, 2GR, 4.50 O.D., T.L.
14	MDD00013	1	V-GROOVE SHEAVE, 3V, 4GR, 6.00 O.D., T.L.
15	MDD00054	1	V-GROOVE SHEAVE, 3V, 2GR, 3.65 O.D., T.L.
16	MDE00010	2	V-BELT, 3VX-425
17	MDE00029	2	V-BELT, 3VX-335
18	MDI00001	1	T.L. HUB 1-1/8 DIA. BORE
19	MDI00008	1	T.L. HUB 1-1/2 DIA. BORE
20	MHA00012	2	1/4 TUBE CLAMP
21	MAB00099	2	7/16-14NC x 1-1/4 LG. HHCS
22	MDI00018	1	#1610, 24mm, TL HUB
23	MJQ00260	1	STANDARD 8 1/2 x 11 LITERATURE COMPARTMENT
24	MKG00014	1	12V BATTERY
25	MLN00399	1	BATTERY TOE CLIP
26	MLN00400	1	TERMINAL COVER
27	1857501	1	412/618 RED BATTERY CABLE MODIFICATION
28	MDA00037	1	MUFFLER
29	1824101	1	STARTER SWITCH PANEL
30	MLB00029	1	ELECTRICAL RECEPTACLE COVER
31	MLB00028	1	120-240 DUPLEX ELECTRICAL
32	MDA00035	1	CHOKE CABLE
33	MDA00097	1	FUEL CAP/GAUGE
34	MLA00011	1	ELECTRIC BOX
35	MAH00036	4	#6-32NC x 3/8" LG. HHWF TYPE 'F' SET SCREW
36	T1201702	1	VOLTAGE LABEL
37	816348	1	STICKER KEY START/CHOKE
38	8163121	1	MCELROY LABEL
39	T1203901	1	FUEL TANK

**#412/#618 GAS POWER ASSEMBLY**Parts List

ITEM	PART NO.	QTY.	DESCRIPTION
40	1857502	1	412/618 BLACK BATTERY CABLE MODIFICATION
41	1855201	1	GAS BELT GUARD
42	1855202	1	GAS BELT GUARD FRONT PLATE
43	MAB00036	1	5/16-18NC x 1-3/4 LG. HHCS
44	MBF00006	2	5/16 WASHER
45	MBE00006	7	5/16 LOCKWASHER
46	MBA00006	5	5/16-18NC FINISHED HEX NUT
47	816349	1	OIL TYPE NOTICE LABEL
48	MAB00004	2	1/4-20NC x 1" LG. HHCS
49	MFA00145	1	6MPT/4MPT NIPPLE
50	MFA00009	1	4FPT/4FPT ELBOW
51	MFI00012	1	1/4" NPT x 4 LG. XHS NIPPLE
52	MFA00037	1	4FPT/4FPT COUPLING
53	MFA00007	1	4MPT PLUG
54	MCK00053	1	3/8 x 3/8 x 1-1/4 LG. KEY, SQ. ENDS
55	MCK00038	1	1/4 x 1/4 x 1" LG. KEY, SQ. ENDS
56	1824501	1	ENGINE LINKAGE COVER
57	MAB00033	4	5/16-18NC x 1" LG. HHCS
58	MBG00057	2	1/4" EXTERNAL TOOTH LOCK WASHER
59	MAL00007	2	1/4-20NC x 3/4 LG. HWH TF SCREW
60	MLK00077	1	1/2 STRAIN RELIEF
61	1871501	1	FUEL TANK COVER
62	MAB00031	1	5/16-18NC x 1/2 LG. HHCS
63	MBA00026	1	5/16-18NF FINISH HEX NUT
64	816303	1	ENGINE PRESTART NOTICE LABEL
65	MAR00009	1	M4 x .7MM-16MM LG. HHCS
66	MAB00003	1	1/4-20NC x 3/4 HHCS
67	MBB00006	1	5/16-18NC FINISHED JAM NUT
68	MBC00005	1	1/4-20NC FINISHED HEX NYLON LOCK NUT
69	816342	1	SAFETY INSTRUCTIONS MANUAL LABEL
70	MBA00008	2	7/16-14NC FINISH HEX NUT
71	MFE00061	1	5/16 BYPASS CAP
72			
73	1824401	1	MUFFLER GUARD
74	MCH00001	2	1/8 DIA. x 1 LG. COTTER PIN
75	MAB00157	1	5/16-24NF x 1" LG. HHCS
76			
77			
78			
79			
80	MHA00049	2	7/32 TO 5/8 HOSE CLAMP
81	MHA00025	.5ft.	FUEL HOSE 1/4 ID (9.8MM)

**#412/#618 GAS POWER ASSEMBLY**Parts List

ITEM	PART NO.	QTY.	DESCRIPTION
82	MBF00008	2	7/16 FLAT WASHER
83	MBE00008	2	7/16 LOCK WASHER
84	T804301	1	UNLEADED FUEL ONLY LABEL

**NOTES:**

1. ITEM 11 MDA00034 INCLUDES (1) MDA00039 KEY SWITCH, (1) MDA00038 STARTER HARNESS, (1) MDA00043 FUEL FILTER, (1) MDA00044 AIR FILTER, (1) MDA00045 AIR PRECLEANER, (1) MDA00051 VALVE COVER KIT, (2) MDA00069 MUFFLER GASKETS, (4) MDA00070 MUFFLER NUTS, AND (1) MKH00087 DIGITAL TACH. & HOUR METER. THESE PARTS MAY BE ORDERED SEPARATELY.
2. FOR ENGINE ELECTRICAL HOOKUP SEE DRAWING 1856001.
3. USE TWO OF ITEM 35 (MAH00036) SCREWS TO MOUNT ENGINE WIRING HARNESS PLUG TO ENGINE.
4. ATTACH BATTERY GROUND TO ENGINE BLOCK.
5. REMOVE COMMONING JUMPER TAB FROM RECEPTACLE.
6. THE UNDERLINED ITEM IS A SUB-ASSEMBLY ON A SEPARATE DRAWING.

## DRAWING REVISION HISTORY LISTING

**PART NO:** 1869701  
**DESCRIPTION:** #412/#618 GAS POWER ASSEMBLY

<u>APPR.</u>	<u>REV</u>	<u>DATE</u>	<u>BY</u>	<u>DESCRIPTION OF REVISION</u>
BLM	A	09/18/03	BWW	ADDED ITEM 84 T804301 FOR SAFETY AND UPDATE ITEM 38 TO SHOW NEW LENGTH.
SWB	B	09/24/03	BWW	REVISED ITEM 12 FROM MDC00027 TO T1201701 QTY 1. AS A RESULT REMOVED ITEM 63 MLM00133, ITEM 70 T1201703, ITEM 71 MJQ00381, ITEM 72 MLJ00082, ITEM 76 MAE00008, ITEM 77 MBE00002, ITEM 78 MBF00002, ITEM 79 T1202001 AND ITEM 80 MLK00040. REMOVED PARTS ARE INCLUDED IN ITEM 12 T1201701. ADDED NEW ITEM 63 MBA00026 QTY 1, AND NEW ITEM 70 MBA00008 QTY 2 FOR MOUNTING GENERATOR. CHANGES MADE TO ALLOW CUSTOMERS TO ORDER GENERATOR COMPLETE.
BLM	C	10/1/03	ALK	REVISED LOCATION OF ITEMS #38, #23, #69, #3, & #9 TO PREVENT ITEM # 23 FROM MELTING FROM MUFFLER HEAT.
SWB	D	03/16/04	BWW	CORRECTED ITEM 81 FROM MHA00045 TO MHA00025 QTY .5 FT AND ADDED NEW ITEM 71 MFE00061 QTY 1 AND ITEM 80 MHA00049 QTY 2. CHANGES MADE DUE TO FUEL TANK MFG. FITTING CHANGE. CHANGES ARE EFFECTIVE AS OF 02/01/04.
SWB	E	01/18/05	JAB	REVISED DESCRIPTION OF ITEM 73 FROM ENGINE GUARD TO MUFFLER GUARD TO ELIMINATE CONFUSION.
SWB	F	02/17/05	BWW	REVISED ITEM #38 1813204 TO 8163121 FOR NEW BRANDING LABEL.



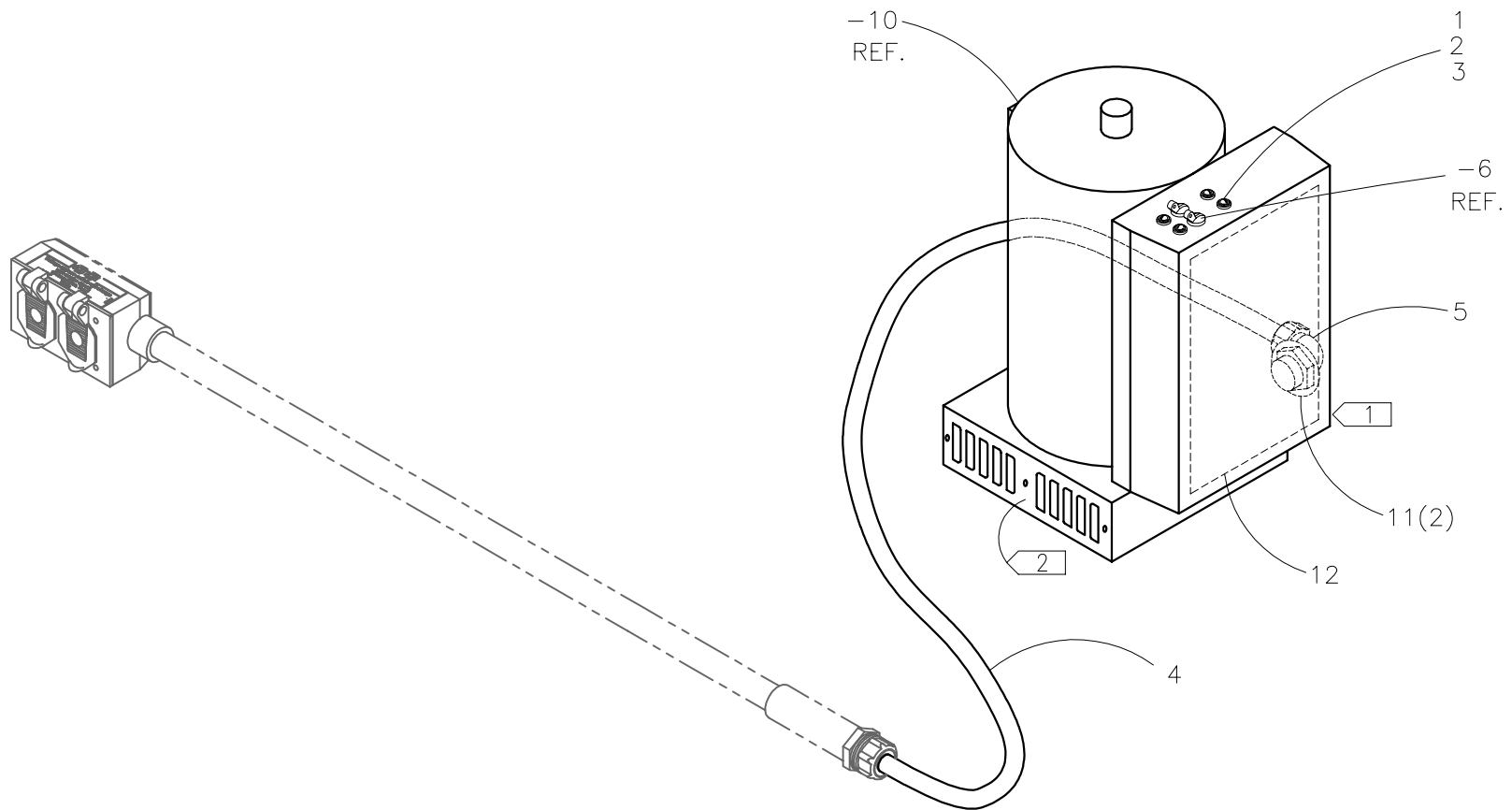
**McElroy Manufacturing, Inc.**  
 The leader by design.  
 Tulsa, Oklahoma U.S.A.

DRAWN: MLM	CHECK: RAD	APPRV'D: SWB	DATE: 7/22/00	DWG No: T1201700	SHT No: 1A	REV No: K	PART No: T1201701
GENERATOR W/WIRING ASSEMBLY							CAD No: T1201701

NOTE: THIS DRAWING AND THE INFORMATION CONTAINED THEREIN IS THE CONFIDENTIAL AND PROPRIETARY PROPERTY OF McElroy Manufacturing, Inc. THE DRAWING IS NOT TO BE REPRODUCED IN ANY MANNER, SUBMITTED OUTSIDE PARTIES FOR EXAMINATION, OR USED DIRECTLY OR INDIRECTLY FOR THE PURPOSES OTHER THAN THOSE FOR WHICH IT WAS FURNISHED WITHOUT WRITTEN PERMISSION OF McElroy Manufacturing, Inc.

NOTES:

1. GENERATOR COVER TO BE MODIFIED PER SHEET 1C.
2. LOUVER PANELS & ATTACHMENT SCREWS FOR BOTH SIDES ARE INCLUDED WITH ITEM 10, AC GENERATOR, & INSTALLED AT FINAL MACHINE ASS'Y.





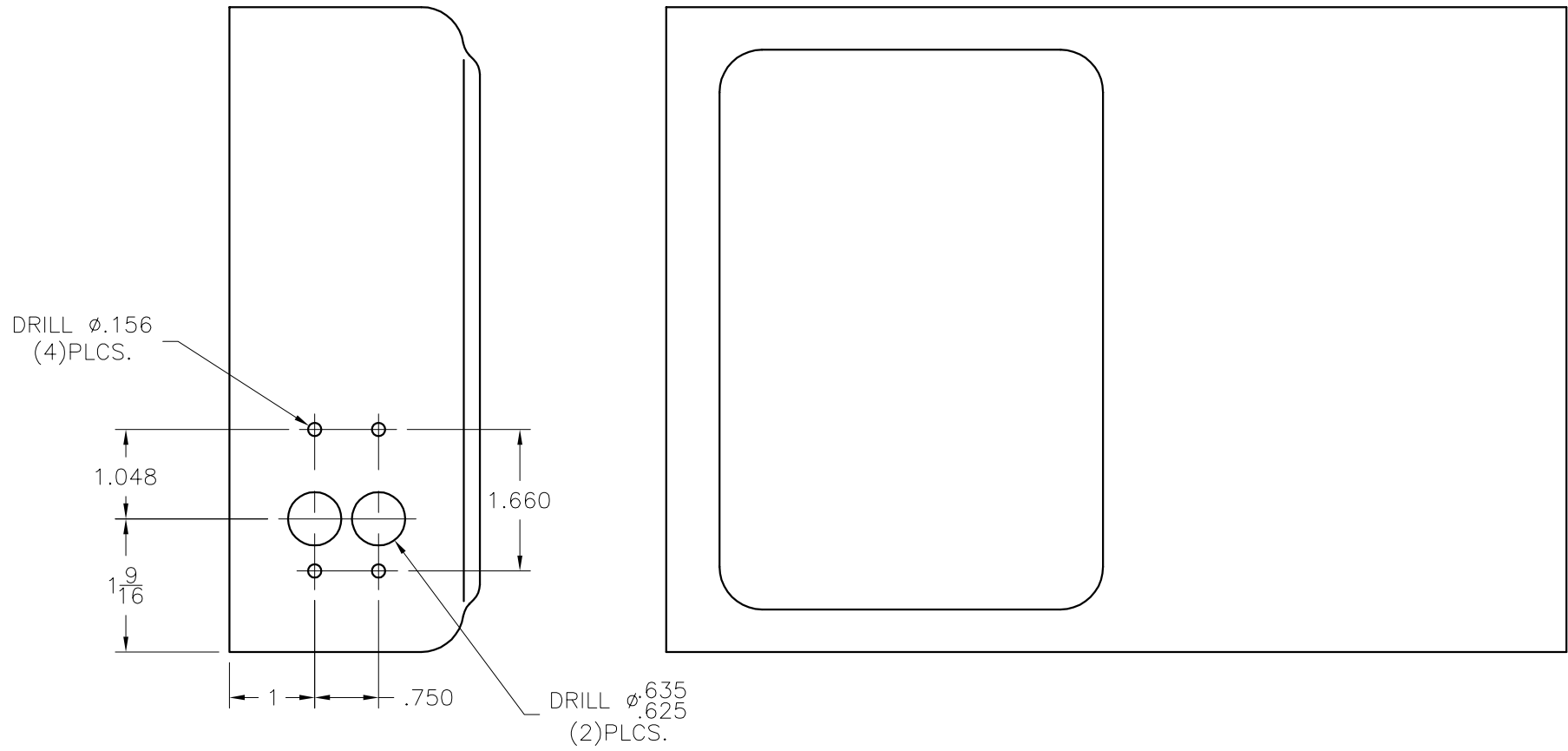


**McElroy Manufacturing, Inc.**  
The leader by design.  
Tulsa, Oklahoma U.S.A.

DRAWN: MLM	CHECK: RAD	APPRV'D: SWB	DATE: 7/22/00	DWG No: T1201700	SHT No: 1C	REV No: K	PART No: T1201701
GENERATOR W/WIRING ASSEMBLY							CAD No: T1201701

NOTE: THIS DRAWING AND THE INFORMATION CONTAINED THEREIN IS THE CONFIDENTIAL AND PROPRIETARY PROPERTY OF McElroy Manufacturing, Inc. THE DRAWING IS NOT TO BE REPRODUCED IN ANY MANNER, SUBMITTED OUTSIDE PARTIES FOR EXAMINATION, OR USED DIRECTLY OR INDIRECTLY FOR THE PURPOSES OTHER THAN THOSE FOR WHICH IT WAS FURNISHED WITHOUT WRITTEN PERMISSION OF McElroy Manufacturing, Inc.

NOTES:  
1. FOR REPLACEMENT COVER SEE T1214001.

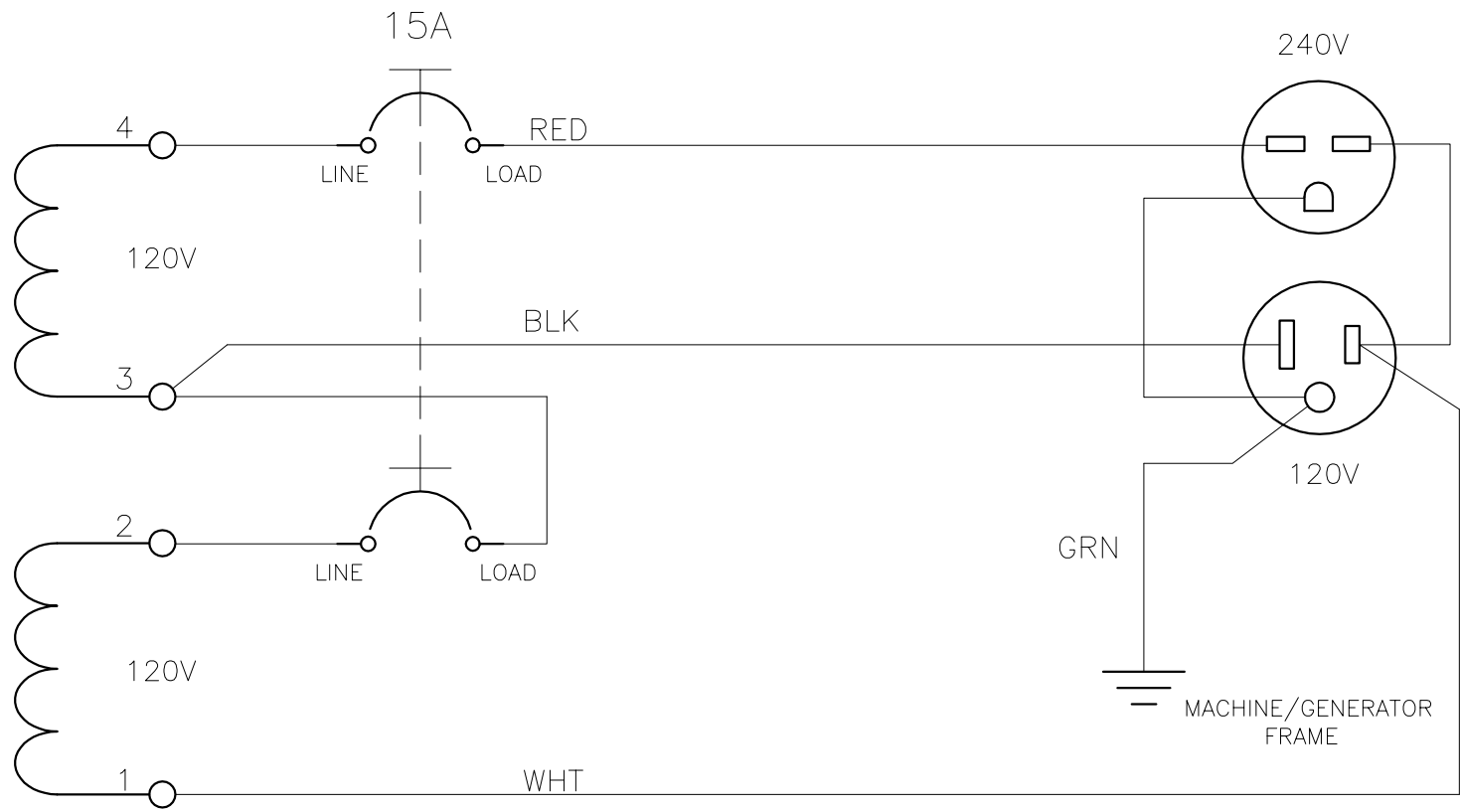




**McElroy Manufacturing, Inc.**  
The leader by design.  
Tulsa, Oklahoma U.S.A.

DRAWN: MLM	CHECK: RAD	APPRV'D: SWB	DATE: 7/22/00	DWG No: T1201700	SHT No: 1D	REV No: K	PART No: T1201701
GENERATOR W/WIRING ASSEMBLY							CAD No: T1201701

NOTE: THIS DRAWING AND THE INFORMATION CONTAINED THEREIN IS THE CONFIDENTIAL AND PROPRIETARY PROPERTY OF McElroy Manufacturing, Inc. THE DRAWING IS NOT TO BE REPRODUCED IN ANY MANNER, SUBMITTED OUTSIDE PARTIES FOR EXAMINATION, OR USED DIRECTLY OR INDIRECTLY FOR THE PURPOSES OTHER THAN THOSE FOR WHICH IT WAS FURNISHED WITHOUT WRITTEN PERMISSION OF McElroy Manufacturing, Inc.



**GENERATOR W/WIRING ASSEMBLY**Parts List

ITEM	PART NO.	QTY.	DESCRIPTION
	<b>T1201701</b>		<b>ASSEMBLY</b>
1	MAE00008	4	#6-32NC x 1/4 LG. BHSCS
2	MBE00002	4	#6 REGULAR SPLIT LOCK WASHER
3	MBF00002	4	#6 TYPE'A' WIDE FLAT WASHER
4	T1201703	1	GENERATOR CORD
5	MLK00040	1	3/4" x 90° STRAIN RELIEF CONNECTOR
6	T1202001	1	CIRCUIT BREAKER MODIFICATION
7			
8			
9	MLM00133	3	RING TERMINAL
10	MDC00027	1	5kva 60/120/240v, 60hz AC GENERATOR
11	MLJ00082	2	1-1/4 x 3/4 REDUCER WASHER
12	MJQ00381	.03	DAMPENING SHEET 6" x 9"

## DRAWING REVISION HISTORY LISTING

**PART NO:** T1201701  
**DESCRIPTION:** GENERATOR W/WIRING ASSEMBLY

<u>APPR.</u>	<u>REV</u>	<u>DATE</u>	<u>BY</u>	<u>DESCRIPTION OF REVISION</u>
RAD	A	09/01/00	TLW	ADDED ITEM #22 (T1201702) VOLTAGE LABEL.
RAD	---	9/22/00	PB	REVISED VIEW ON DRAWING OF ITEM 16 - DUPLEX TERMINAL TO REFLECT CORRECT POSITION IN RELATION TO WIRING.
RAD	B	10/16/00	MLM	ADDED ITEMS 23-29 (MOUNTING HARDWARE FOR GENERATOR)
dwp	C	12/18/00	MLM	REMOVED ITEMS 23-29 (MOUNTING HARDWARE FOR GENERATOR) - NOW CALLED OUT ON POWER ASSY PER MANUFACTURING REQUEST.
DWP	D	01/08/01	BWW	REVISED TO ADD NOTE 2 FOR MODIFICATION OF ITEM 6 AND ADDED MODIFICATION DIMENSIONS AND HOLE CALL OUT TO SHT. 1C.
RAD	E	02/14/01	BWW	REMOVED ITEMS: MAB00002 QTY 1, MBG00057 QTY 1, MLA00011 QTY 1, MLB00029 QTY 1, MLI00028 QTY 30", MLJ00080 QTY 1, MLK00077 QTY 1, MLM00172 QTY 1, MLB00028 QTY 1, MLL00052 QTY .3FT., T1201702 QTY 1, REMOVED NOTE 3 FROM SHT. 1B, RENUMBERED NOTES AND PARTS LIST AND CHANGED MLE00008 QTY 7' TO 9'8". THESE PARTS WERE MOVED TO T1200202 PER RESTRUCTURING.
RAD	F	01/16/02	BEA	REMOVED ITEMS: MLL00002 QTY 2 FT, MLL00058 QTY 1 FT. CHANGED QTY OF ITEM 9, MLM00133, FROM 6 TO 3. ADDED ITEM 11, MLJ00082, QTY 2. CHANGED ITEM 1 FROM MAH00001 TO MAE00008.
DWP	G	3/20/02	ALK	REVISED TO ADD ITEM-12(MJQ00381) TO DAMPEN VIBRATION.
SWB	--	5/8/02	RLE	REVISED ITEM #4 MLE00008 QTY. (9'-8") TO T1201703 QTY. (1). T1201703 IS NOW PURCHASED CUT TO LENGTH FOR T1201701 GENERATOR WIRING ASSEMBLY.
SWB	H	04/22/03	BWW	ADDED NOTE 2 FOR GENERATOR LOUVER PANEL ATTACHMENT FOR CLARITY.
SWB	J	7/30/03	ALK	REVISED DESCRIPTION FROM GENERATOR WIRING ASSEMBLY TO GENERATOR W/WIRING ASSEMBLY TO ELIMINATE CONFUSION.
SWB	K	1/10/05	MLM	REVISED SHEET-1C TO ADD NOTE FOR REPLACEMENT PART.