



McElroy Manufacturing, Inc.

The leader by design.

Tulsa, Oklahoma U.S.A.

DRAWN: BWW

CHECK: MLM

APPRVD: SWB

DATE: 01/06/05

SHT No: 4

REV No: A

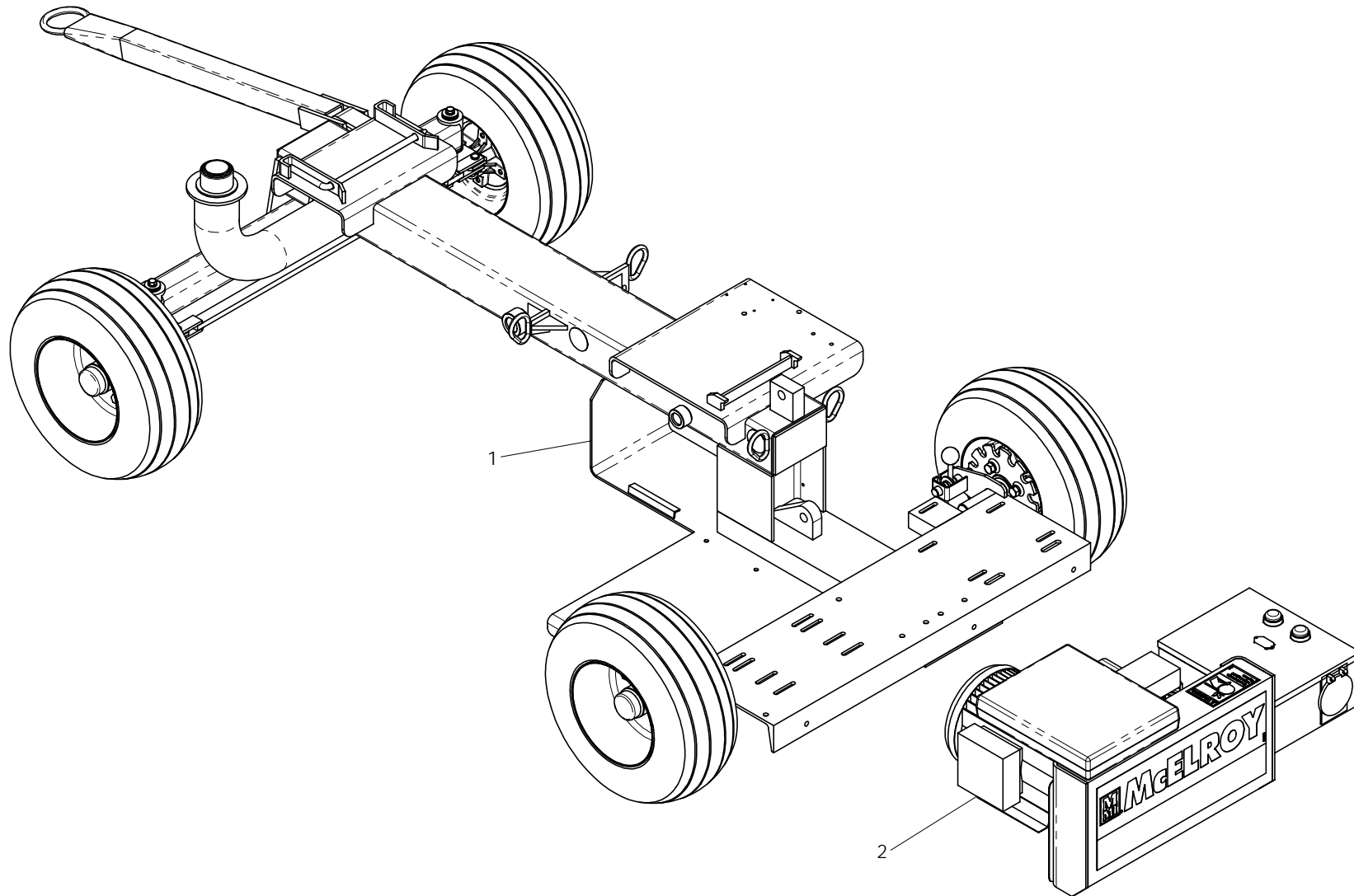
PART No: 1248304

# 412 240V, 60Hz, 1Ph ROLLING CHASSIS ASSEMBLY

NOTE: THIS DRAWING AND THE INFORMATION CONTAINED THEREIN IS THE CONFIDENTIAL AND PROPRIETARY PROPERTY OF McElroy Manufacturing, Inc. THE DRAWING IS NOT TO BE REPRODUCED IN ANY MANNER, SUBMITTED TO OUTSIDE PARTIES FOR EXAMINATION, OR USED DIRECTLY OR INDIRECTLY FOR THE PURPOSES OTHER THAN THOSE FOR WHICH IT WAS FURNISHED WITHOUT WRITTEN PERMISSION OF McElroy Manufacturing, Inc.

NOTES:

1. SEE DRAWING 1869301, ITEM 3, FOR HYDRAULIC SCHEMATIC LAYOUT AND COMPONENTS.
2. SEE DRAWING 1869202, ITEM 4, FOR ELECTRICAL PLUMBING SCHEMATIC LAYOUT AND COMPONENTS.



**#412 240V, 60Hz, 1Ph  
ROLLING CHASSIS ASSEMBLY**

Parts List

ITEM	PART NO.	QTY.	DESCRIPTION
	<b>1248304</b>		<b>ASSEMBLY</b>
1	1869501	1	#412/#618 GAS/ELECTRIC ROLLING CHASSIS ASSEMBLY
2	1251301	1	#412 240V, 60Hz, 1Ph POWER ASSEMBLY
3	1869301	1	#412/#618 HYDRAULIC SCHEMATIC
4	1869202	1	#412/#618 ELECTRIC PLUMBING SCHEMATIC

## DRAWING REVISION HISTORY LISTING

**PART NO:** 1248304

**DESCRIPTION:** #412 240V, 60Hz, 1Ph ROLLING CHASSIS ASSEMBLY

<u>APPR.</u>	<u>REV</u>	<u>DATE</u>	<u>BY</u>	<u>DESCRIPTION OF REVISION</u>
SWB	A	09/20/05	BWW	CREATED ISOMETRIC VIEW AND ADDED NOTES 1 AND 2 FOR CLARITY